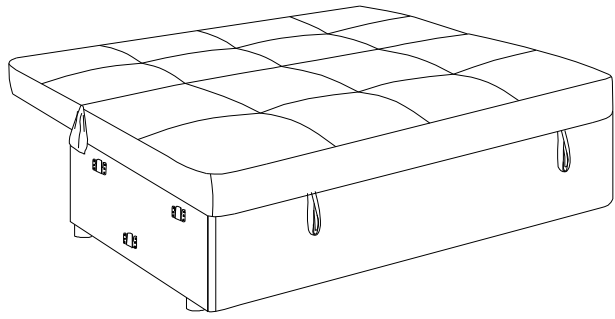


ASSEMBLY INSTRUCTION

ITEM NO.:HM8053-1

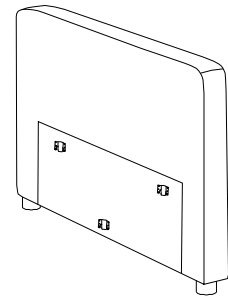
Parts list:

A



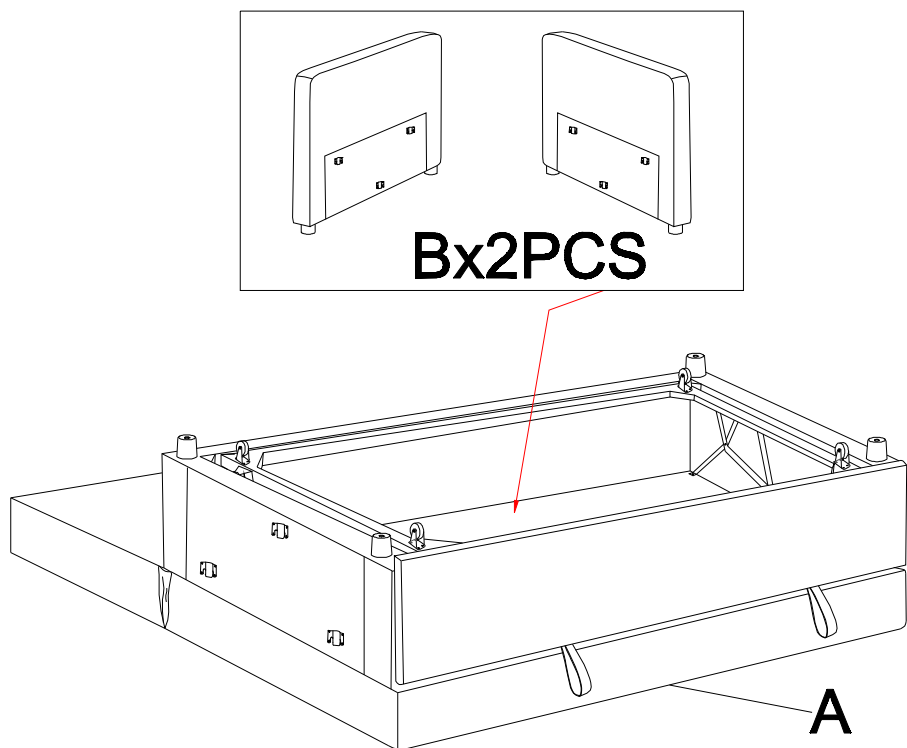
1PC

B

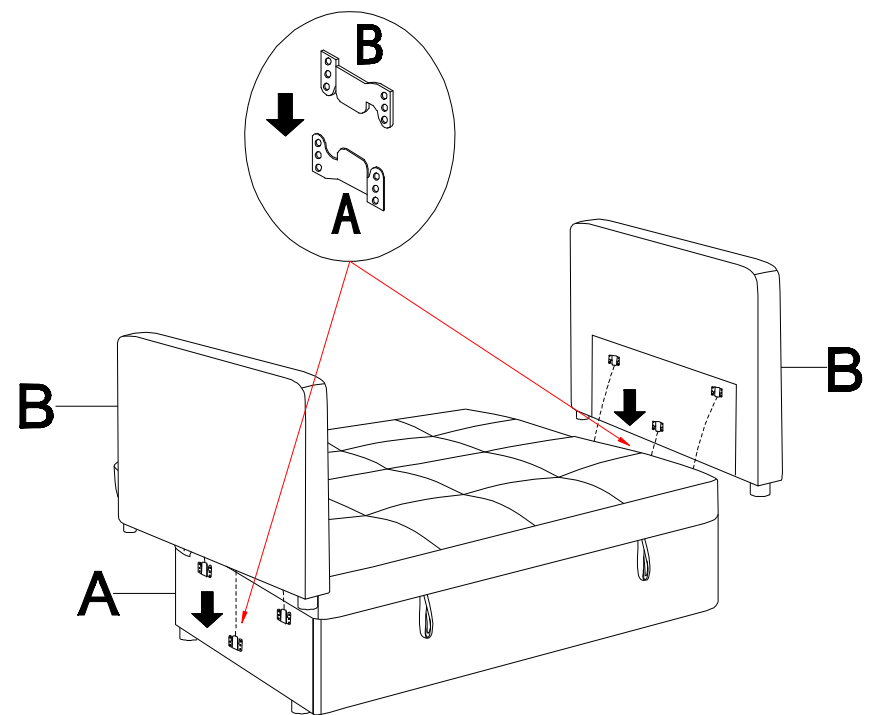


2PCS

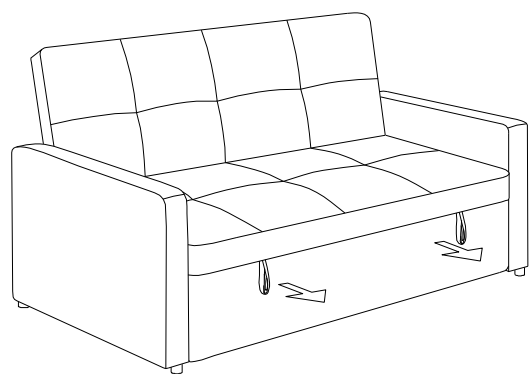
Step 1:



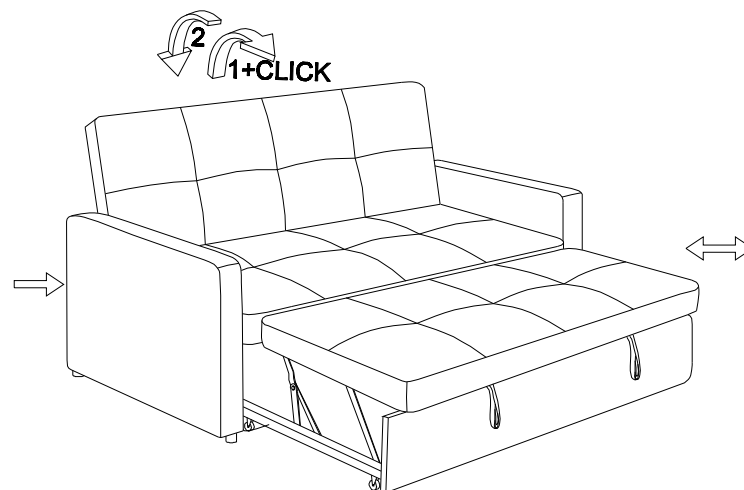
Step 2:



Step 3:



Step 4:



Step 5:

