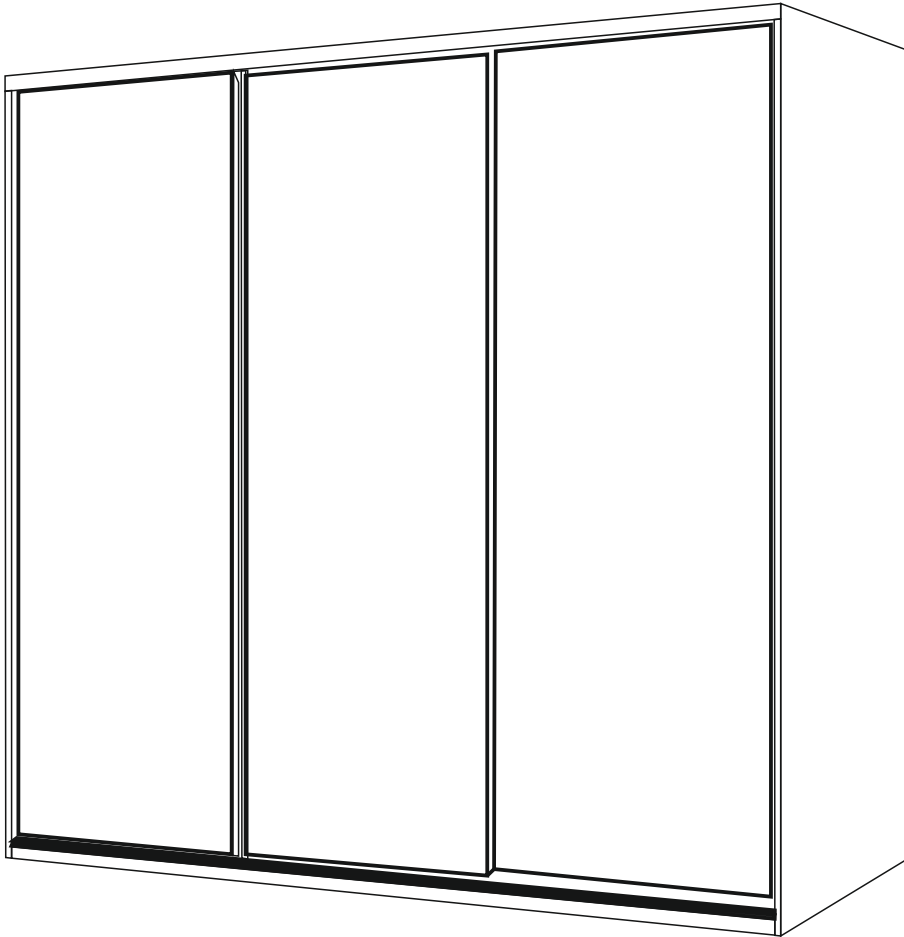


# Sliding wardrobe Siam 2250x1800x600 mm

## ASSEMBLY INSTRUCTION



Dimensions  
Height: 2250 mm  
Width: 1800 mm  
Depth: 600 mm



### **NOTE!**

For all questions and complaints about this product, please contact the place of purchase of this product.



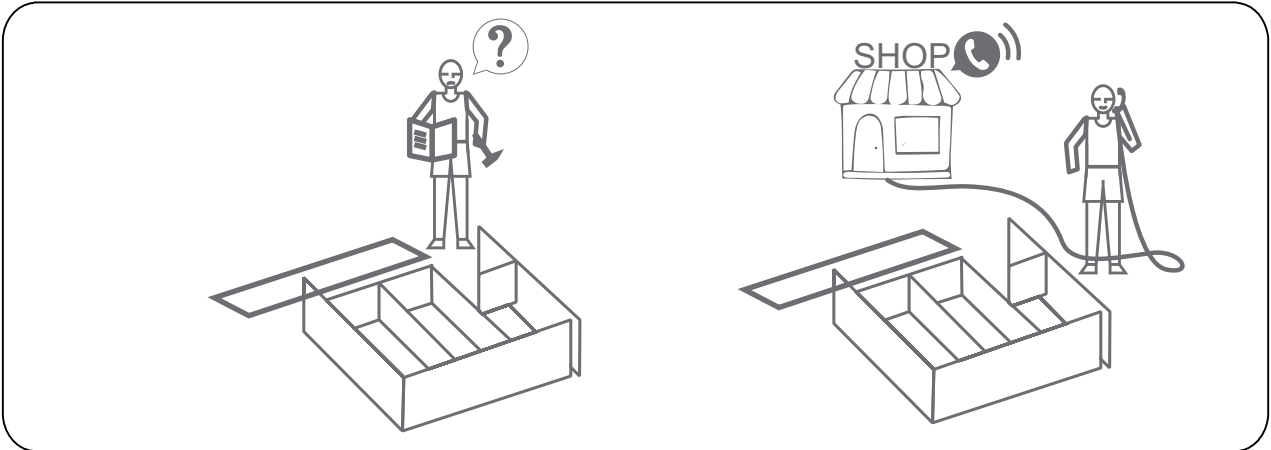
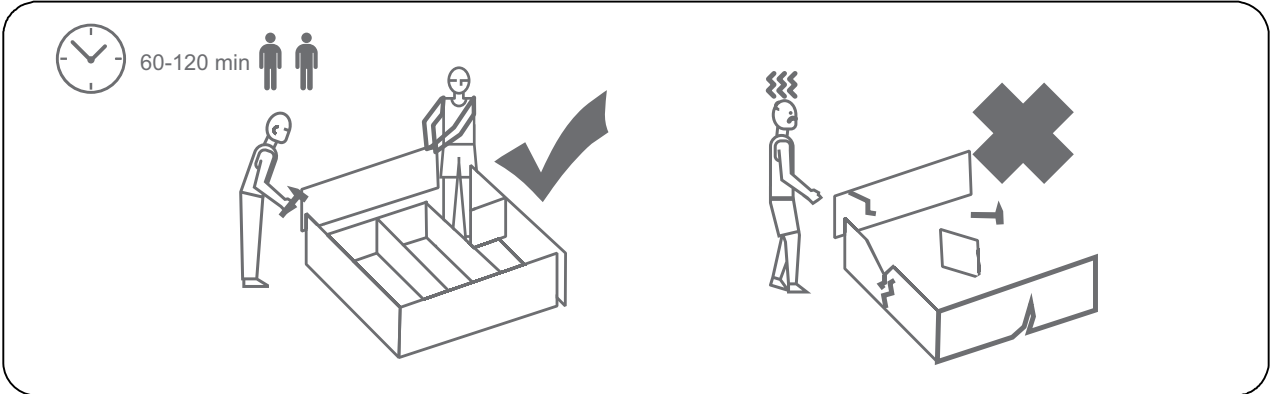
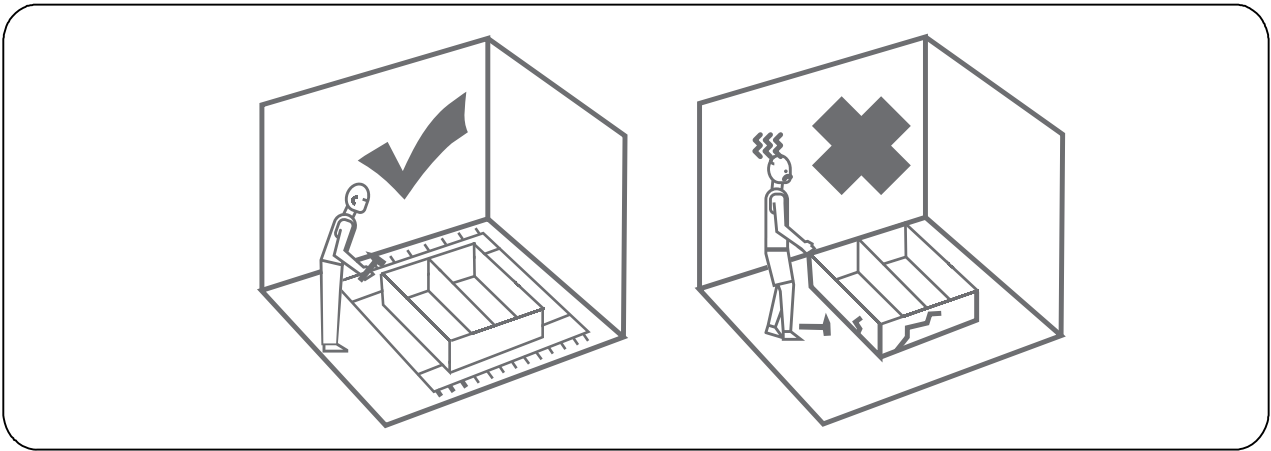
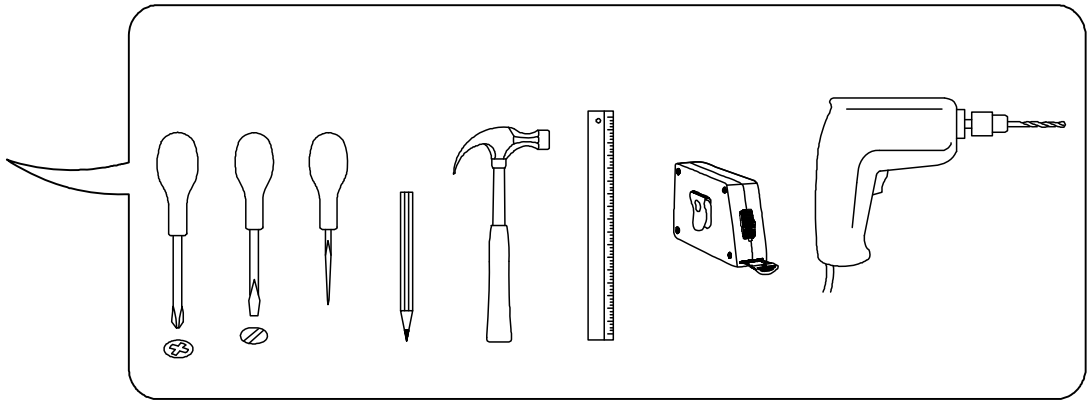
### **RULES FOR USE AND CARE OF FURNITURE**

1. Use furniture only in dry rooms protected from the effects of weather conditions.
2. Install with suitable tools according to these assembly instructions.
3. Try to assemble as close to the location as possible.
4. The body is assembling in a horizontal position.
5. Before moving furniture, make sure that it is not loaded with items.

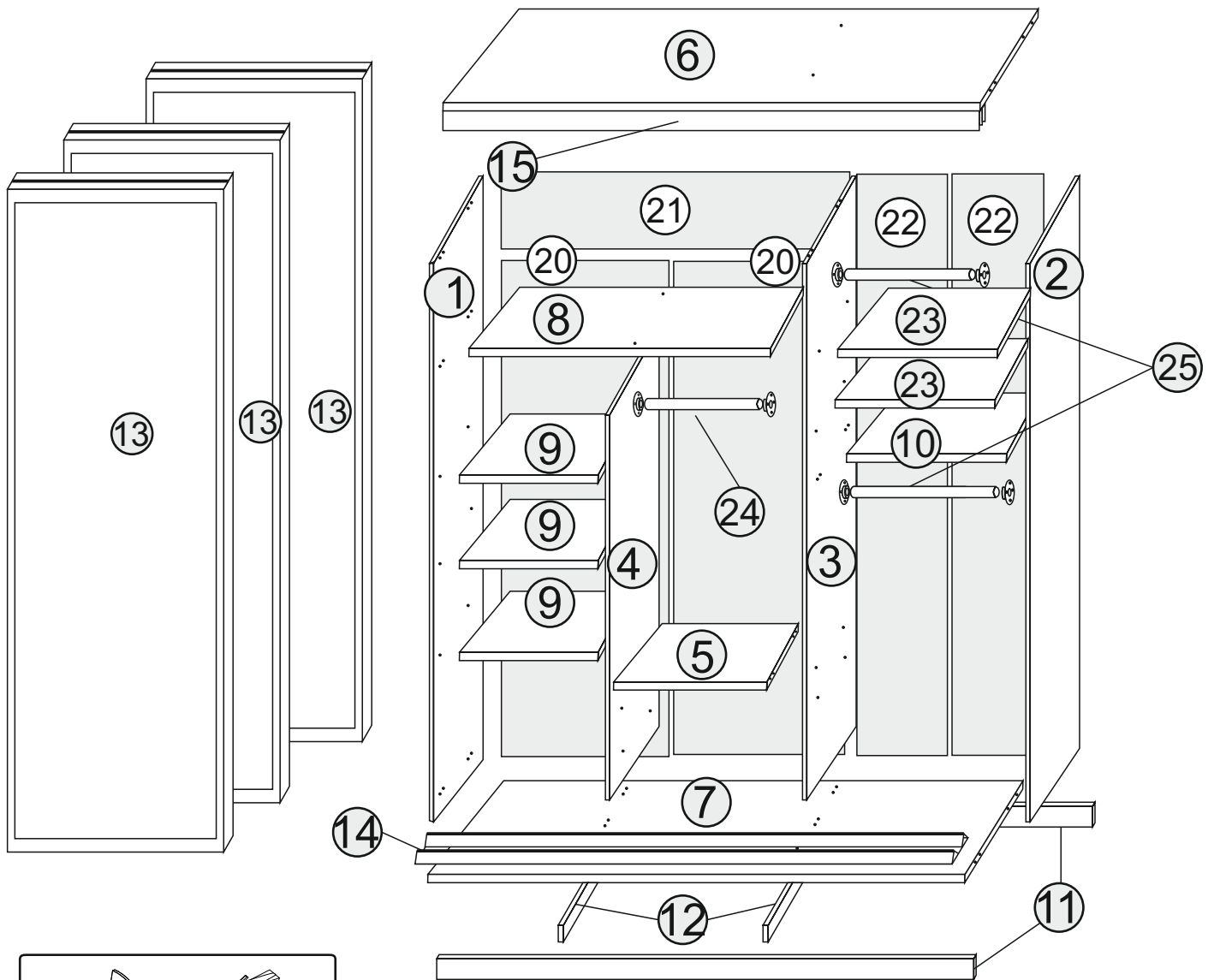
**Caution:** moving furniture may damage it.

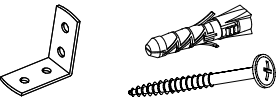
When moving, hold on to vertical elements only; moving furniture by horizontal parts can break the product.

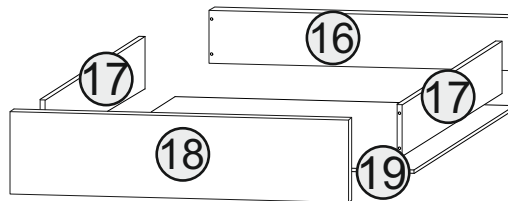
6. Overloading the furniture can damage it.
7. From time to time check the fittings and their correct position.
8. Wipe the furniture surface only with a slightly damp cloth or paper towels. Do not use chemical cleaning agents other than those specifically made for this.




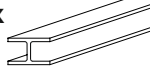
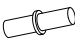
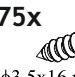

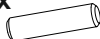



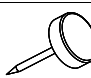

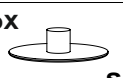





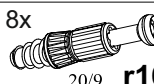


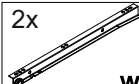
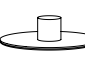
# PARTS LIST



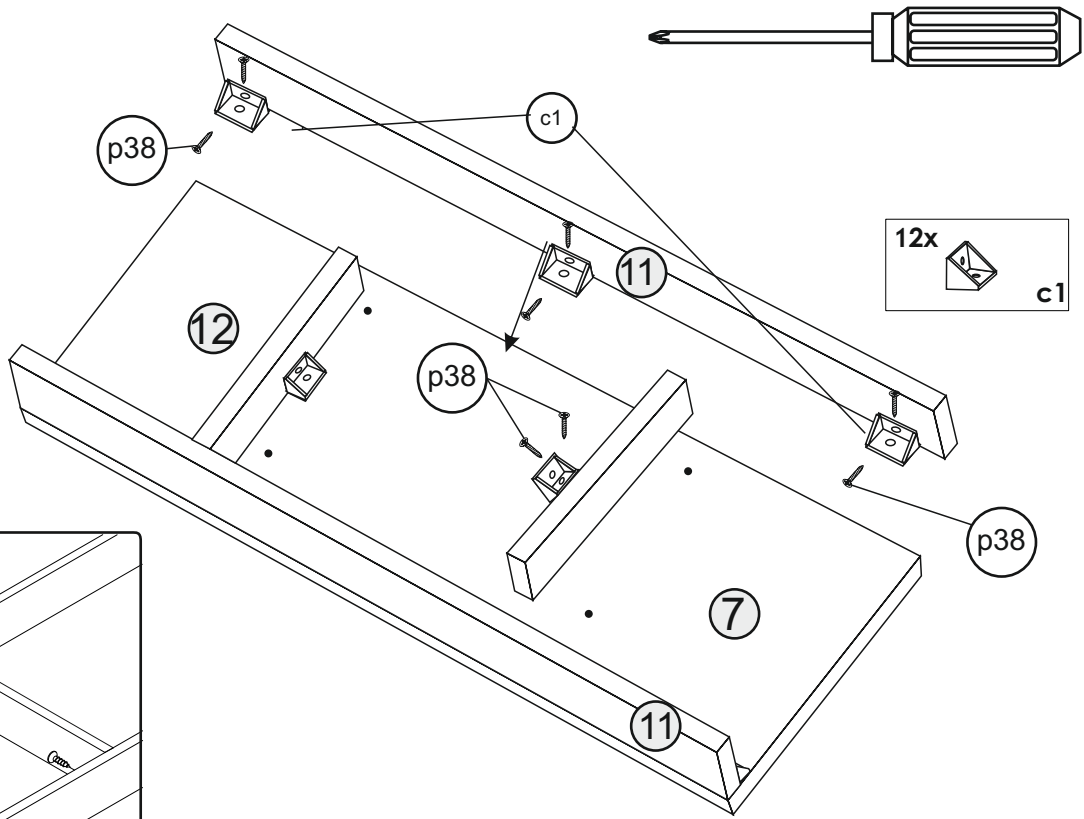

  
 The dowel and the wall mounting angle  
 are not included.  
 Purchase separately.



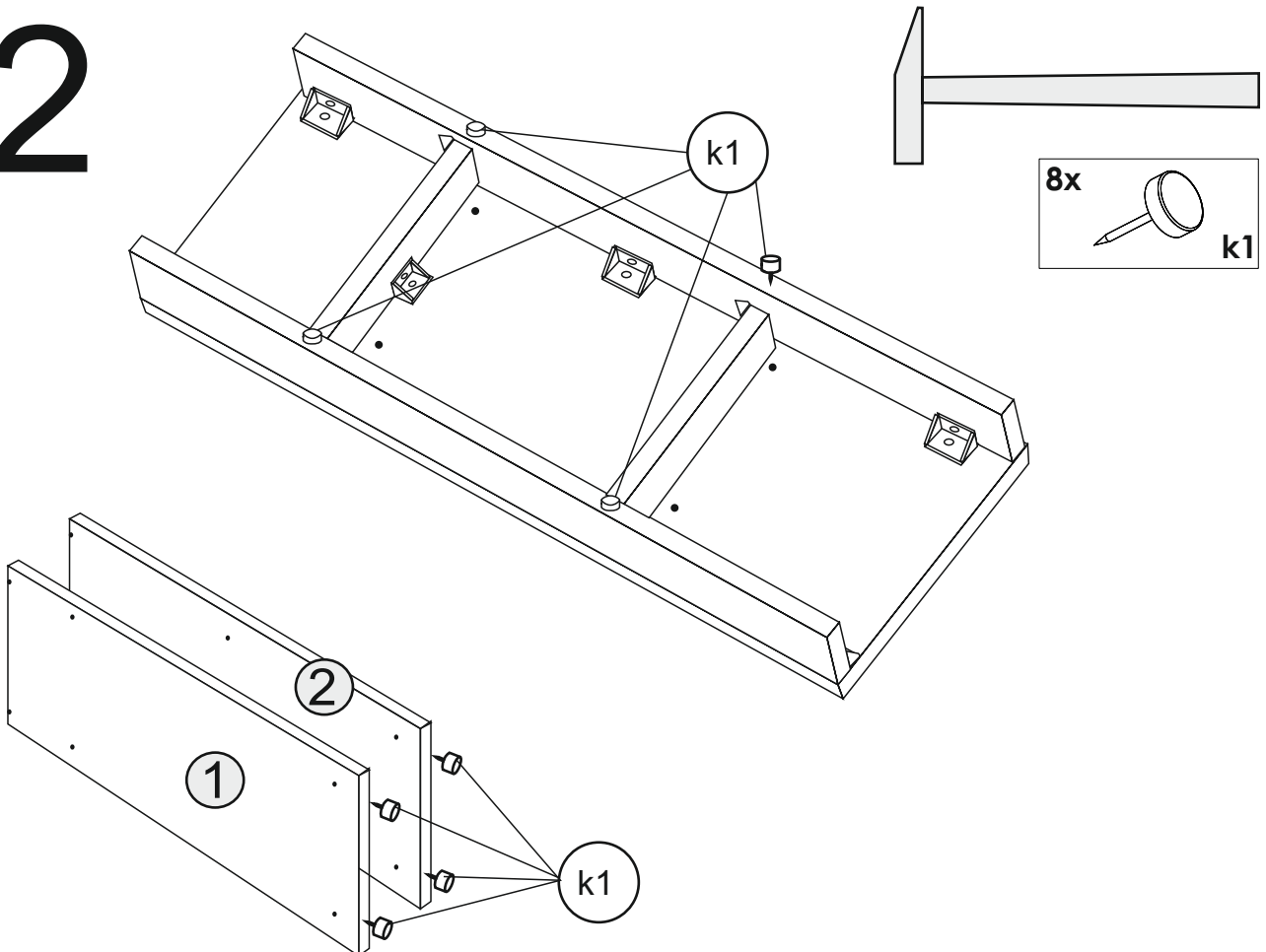
## Fittings:

16x 	2x 	20x  $\phi 5 \times 17 \text{ mm}$ <b>d1</b>	75x  $\phi 3,5 \times 16 \text{ mm}$ <b>p38</b>	36x  $\phi 5 \times 50 \text{ mm}$ <b>e32</b>	28x  $\phi 8 \times 30 \text{ mm}$ <b>f1</b>	1x  <b>z1</b>
4x  <b>c14</b> 15x10x14mm	6x  <b>n906</b>	8x  <b>k1</b>	 <b>l1</b>	36x  <b>s3</b>	12x  <b>c1</b>	2x  <b>z1</b>
2x  <b>w5<sup>CL</sup></b>	2x  <b>w5<sup>CR</sup></b>	8x  $\phi 15 \times 12 \text{ mm}$ #16 <b>r1</b>	8x  20/9 <b>r16</b>	8x  $\phi 6,4 \times 13 \text{ mm}$ <b>e3</b>	2x  <b>w5<sup>DL</sup></b>	2x  <b>w5<sup>DR</sup></b>
8x  <b>s2</b>						

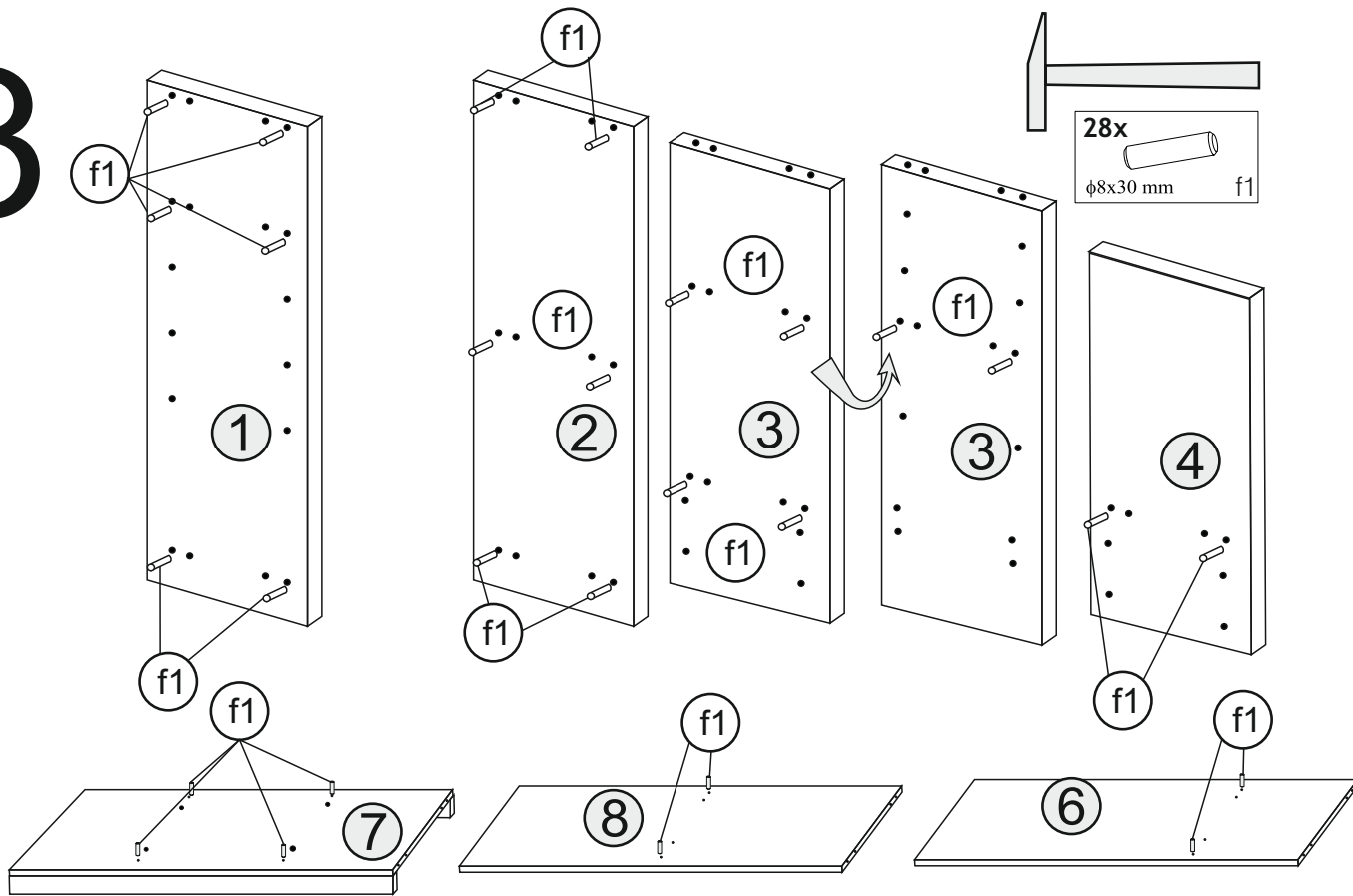
# 1



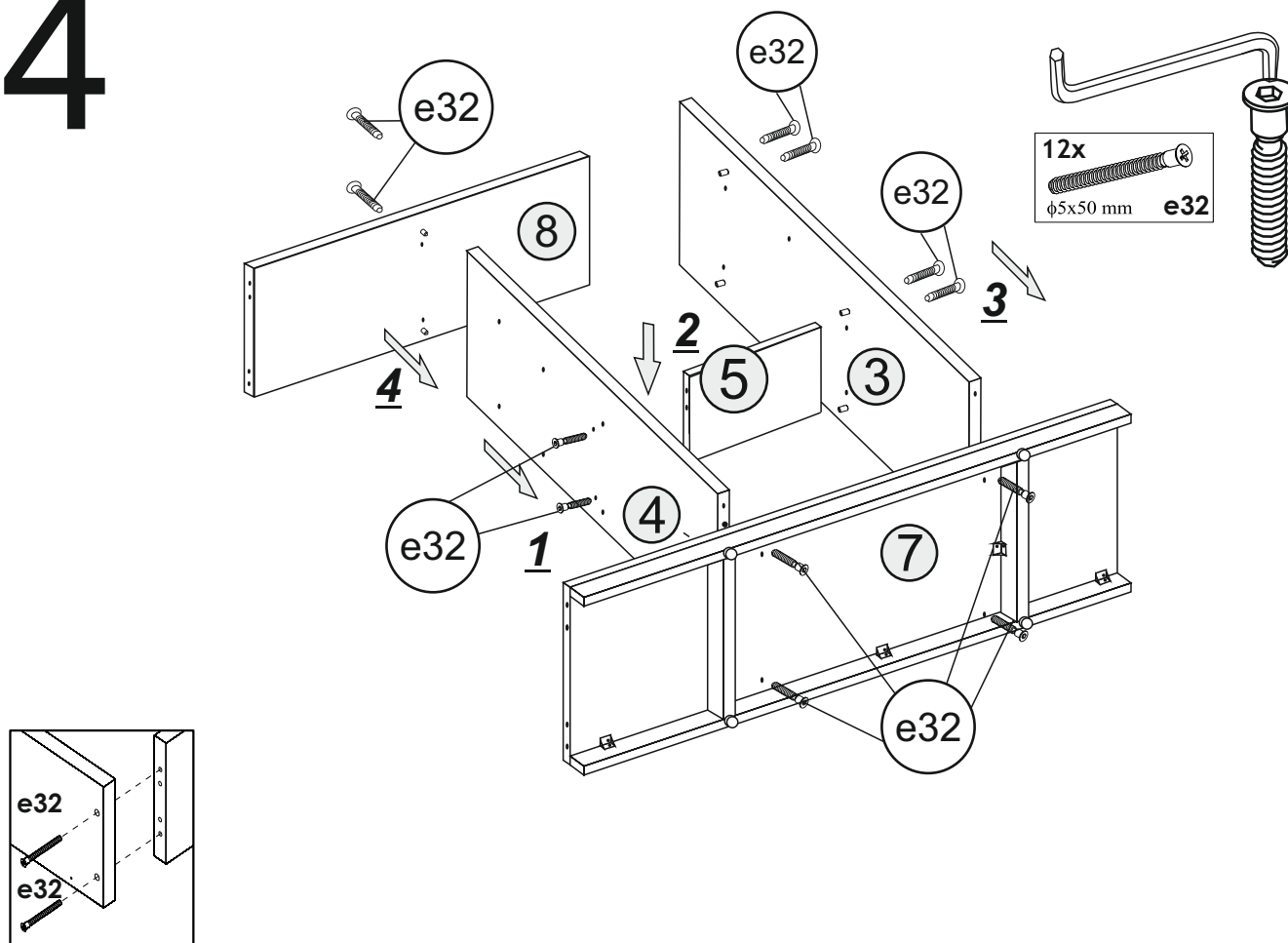
# 2



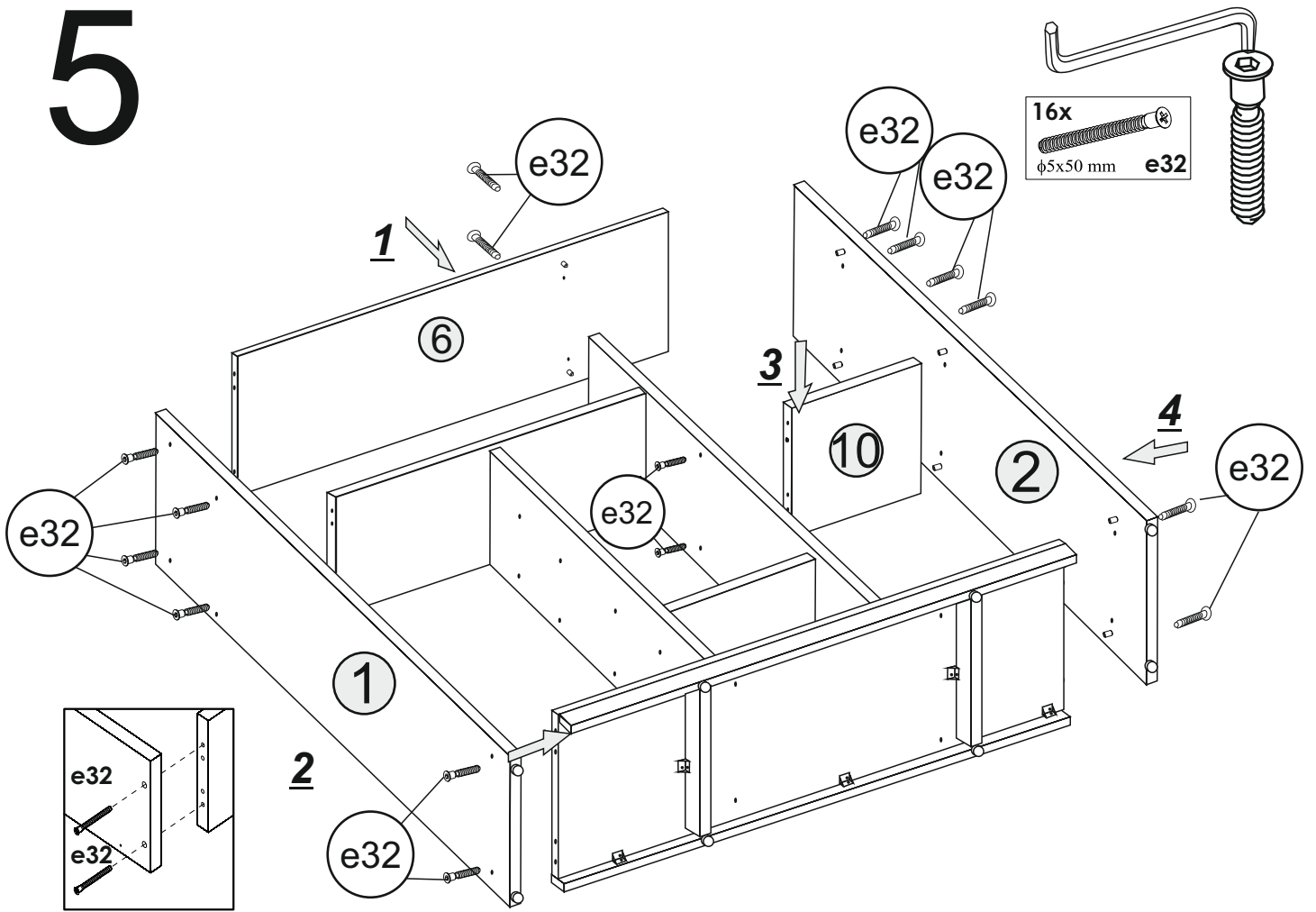
# 3



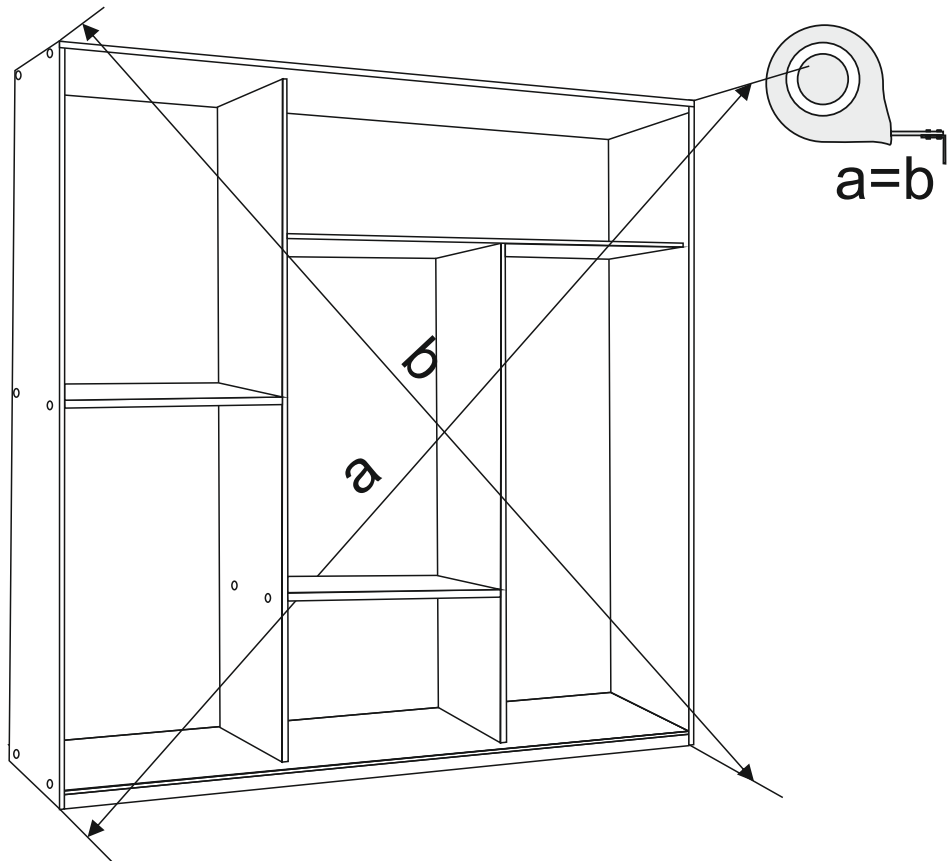
# 4



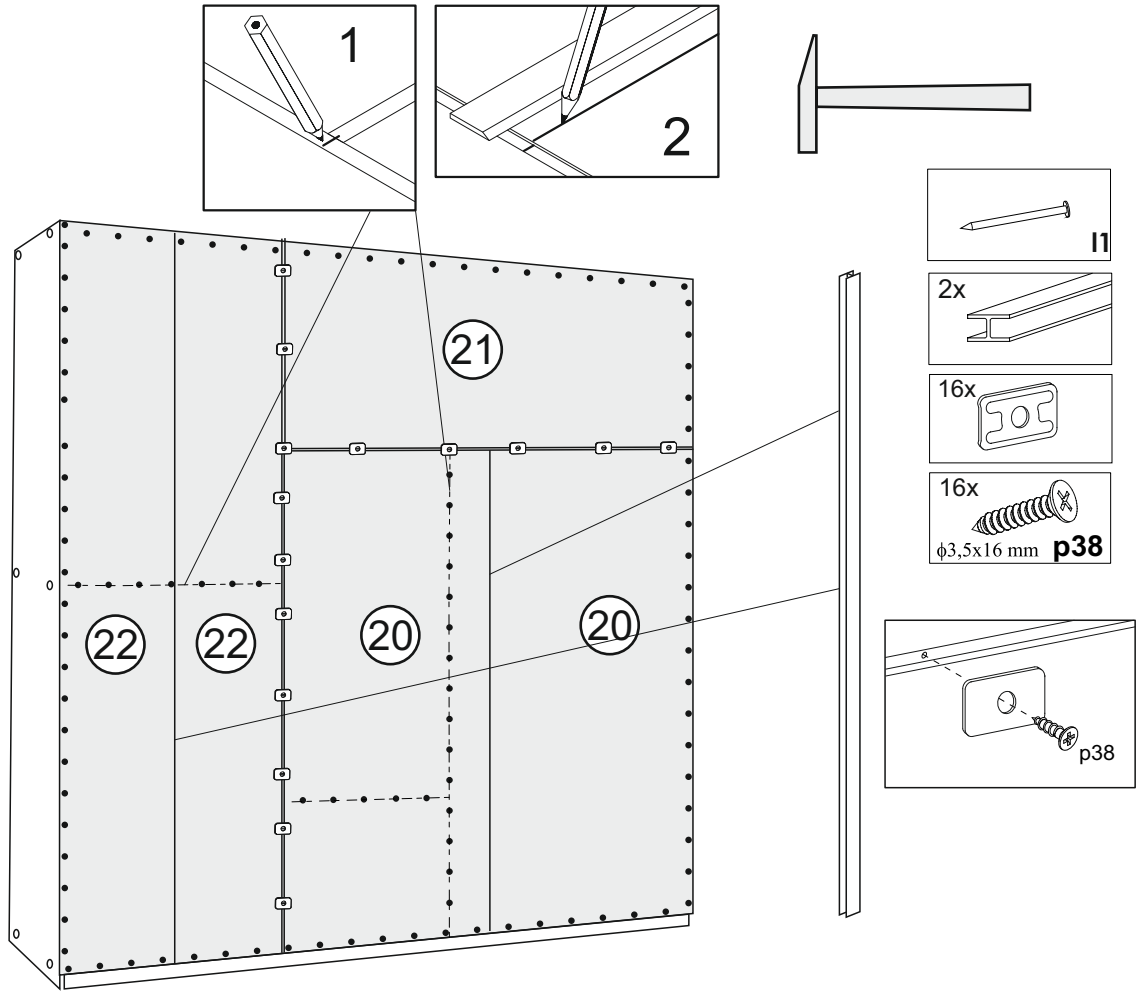
# 5



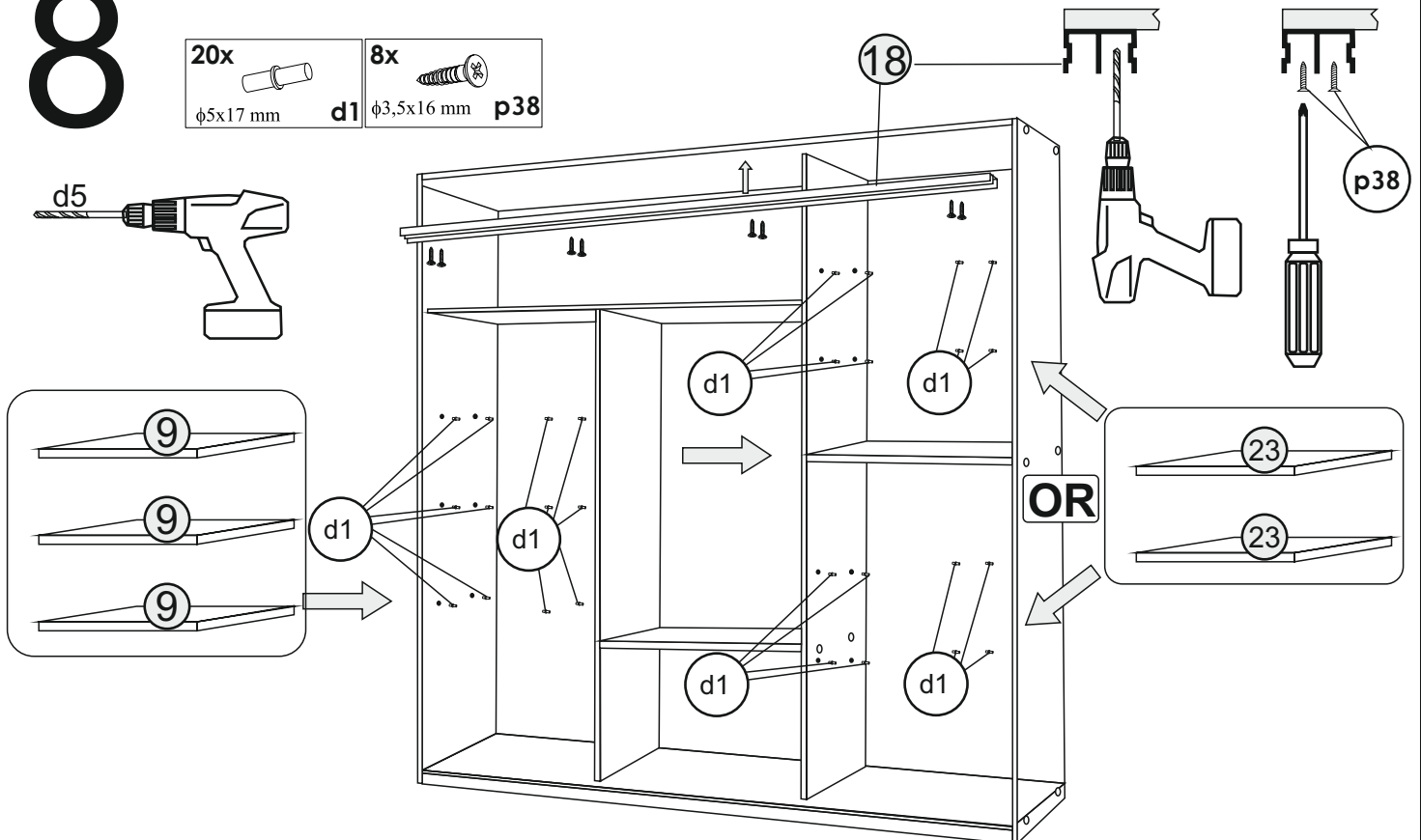
# 6



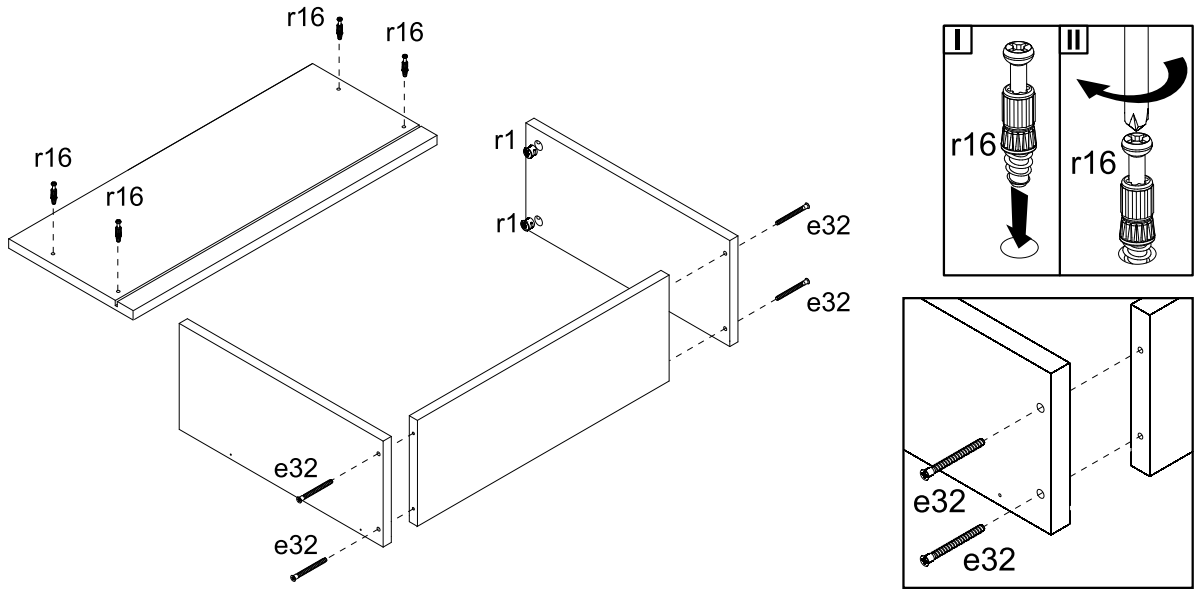
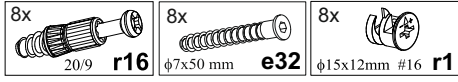
# 7



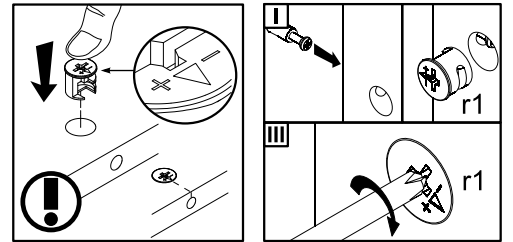
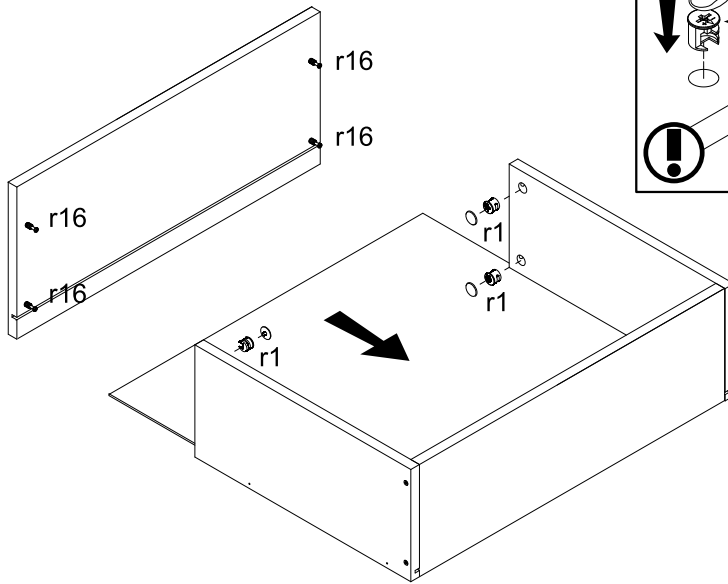
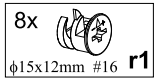
# 8



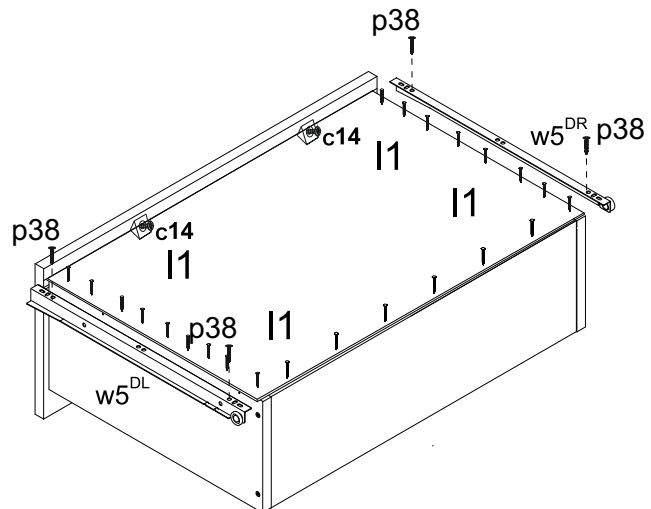
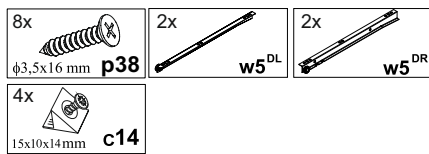
# 9



# 10



# 11





# 12

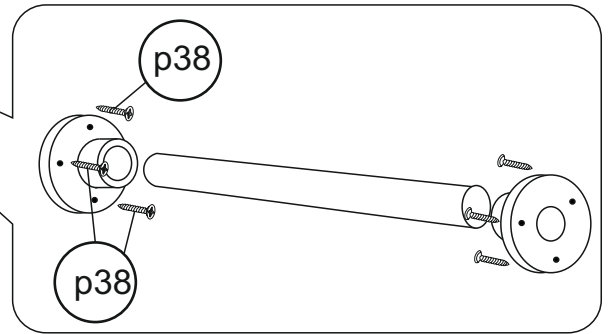
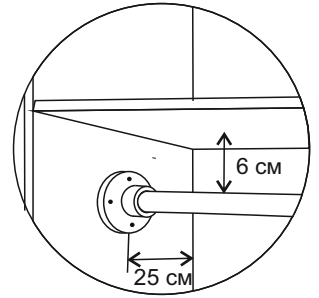
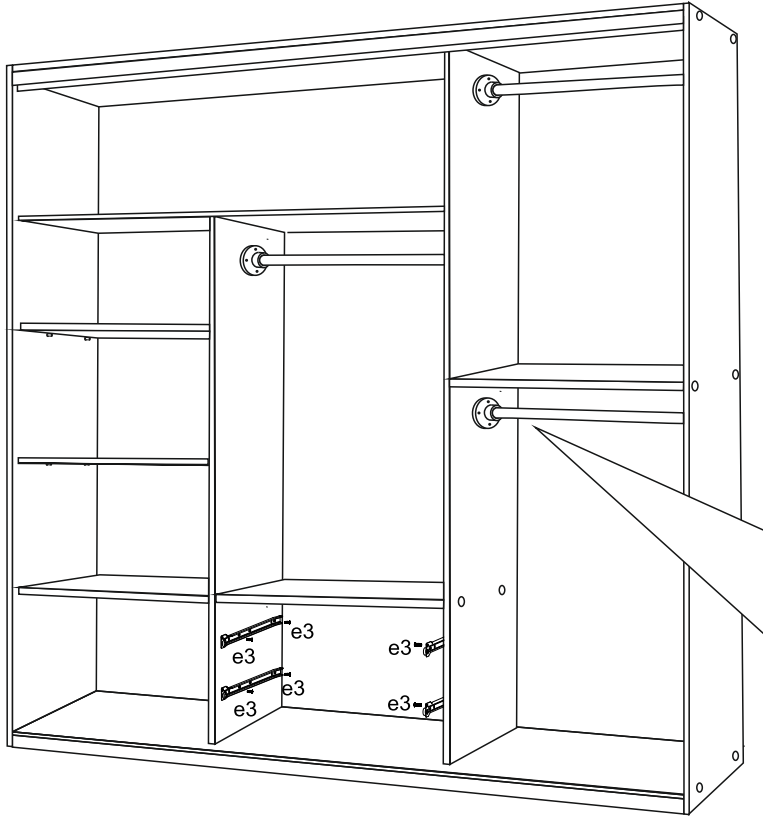
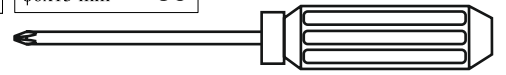
18x  
φ3,5x16 mm p38

6x  
n906

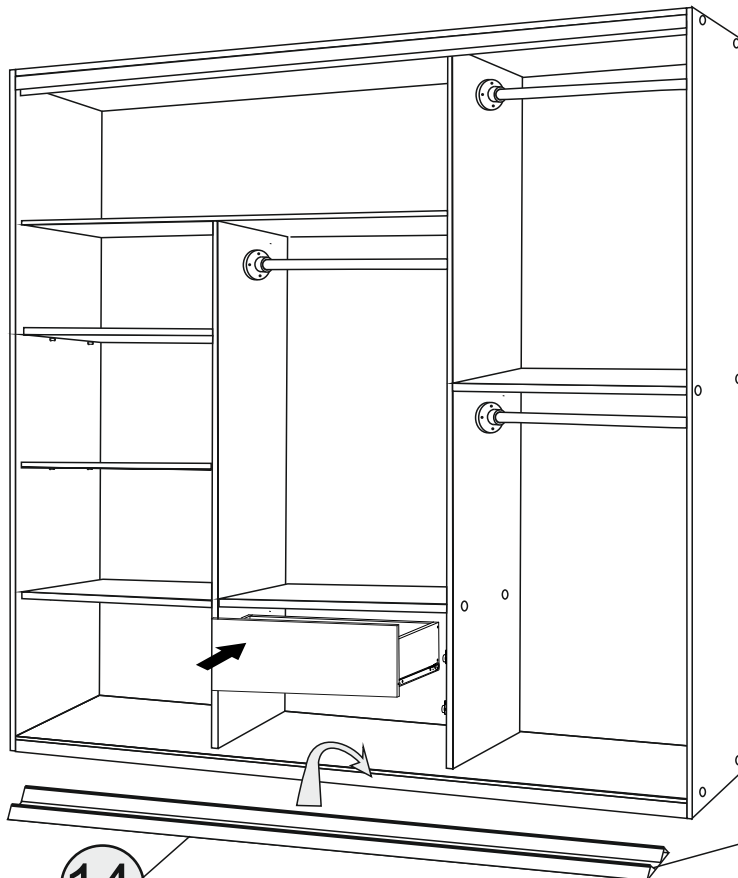
2x  
w5<sup>CL</sup>

2x  
w5<sup>CR</sup>

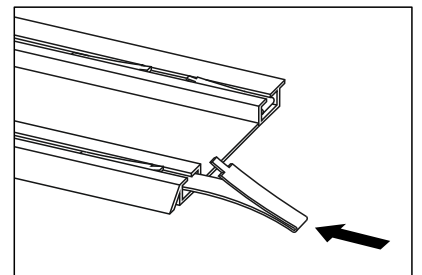
8x  
φ6x13 mm e3



# 13

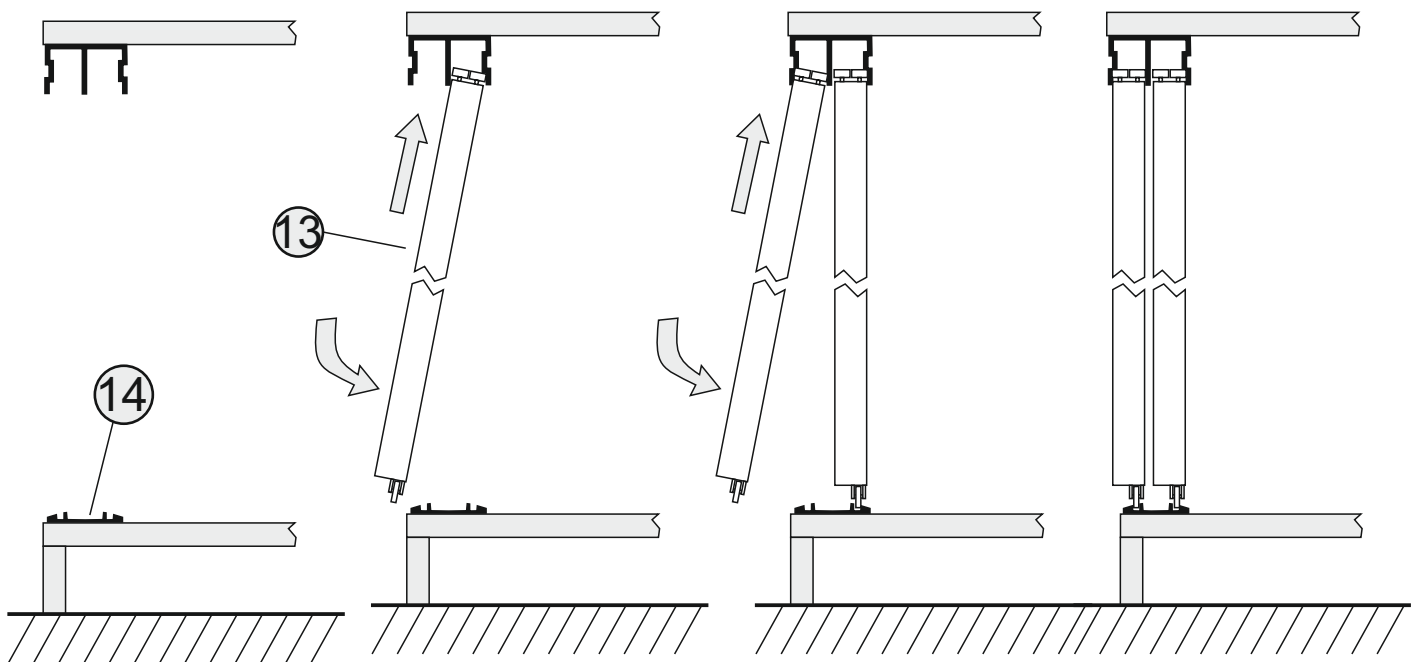
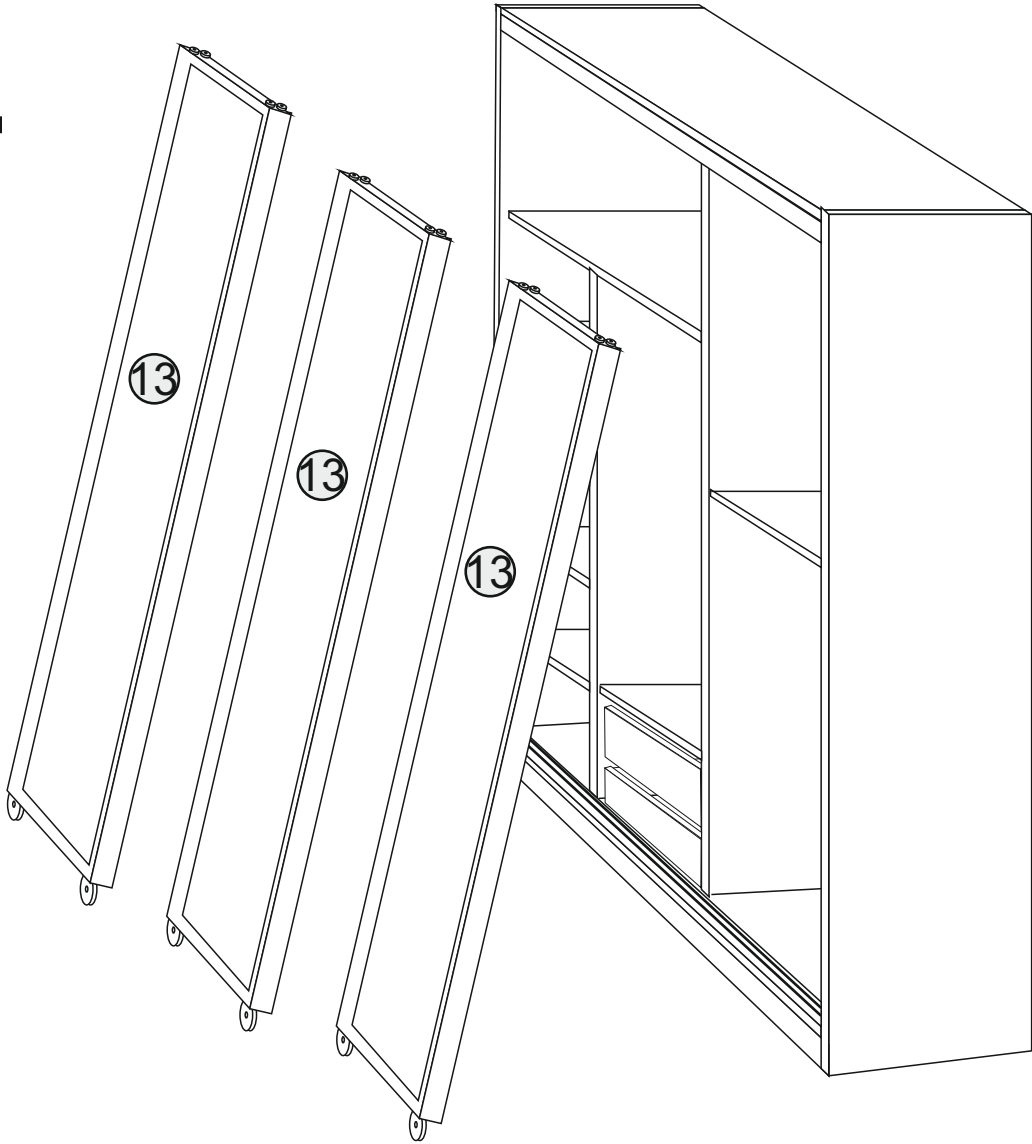


3x

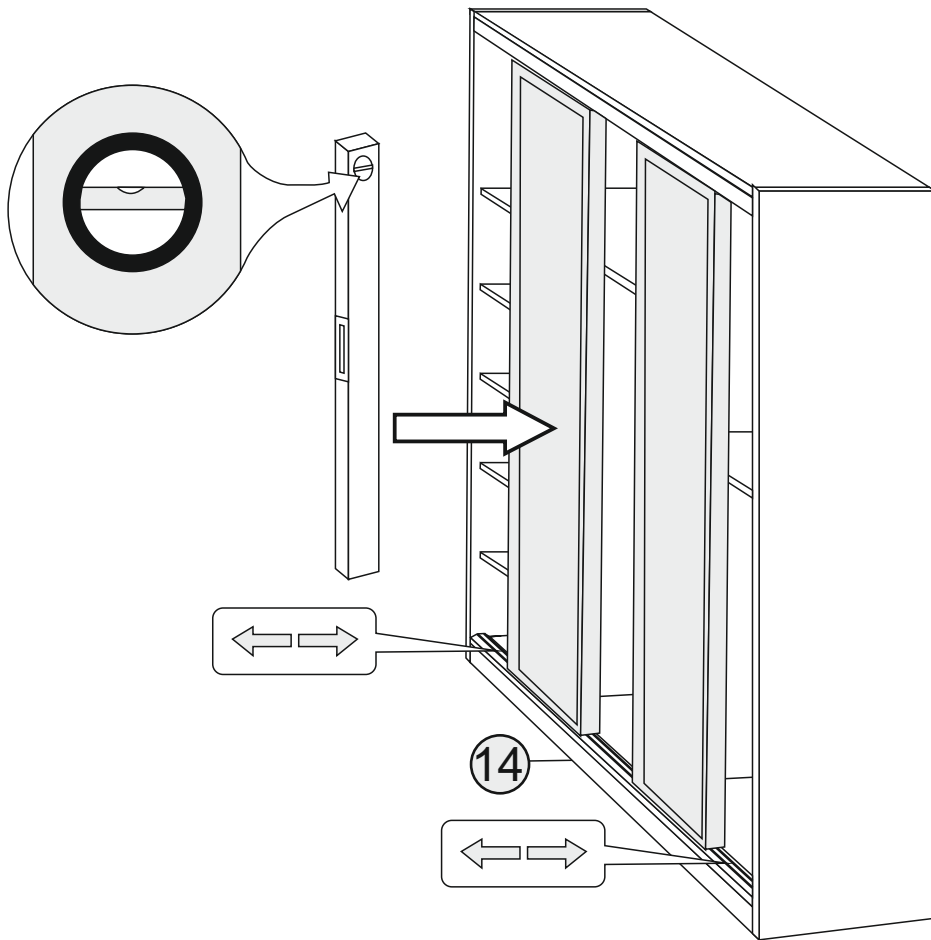


14

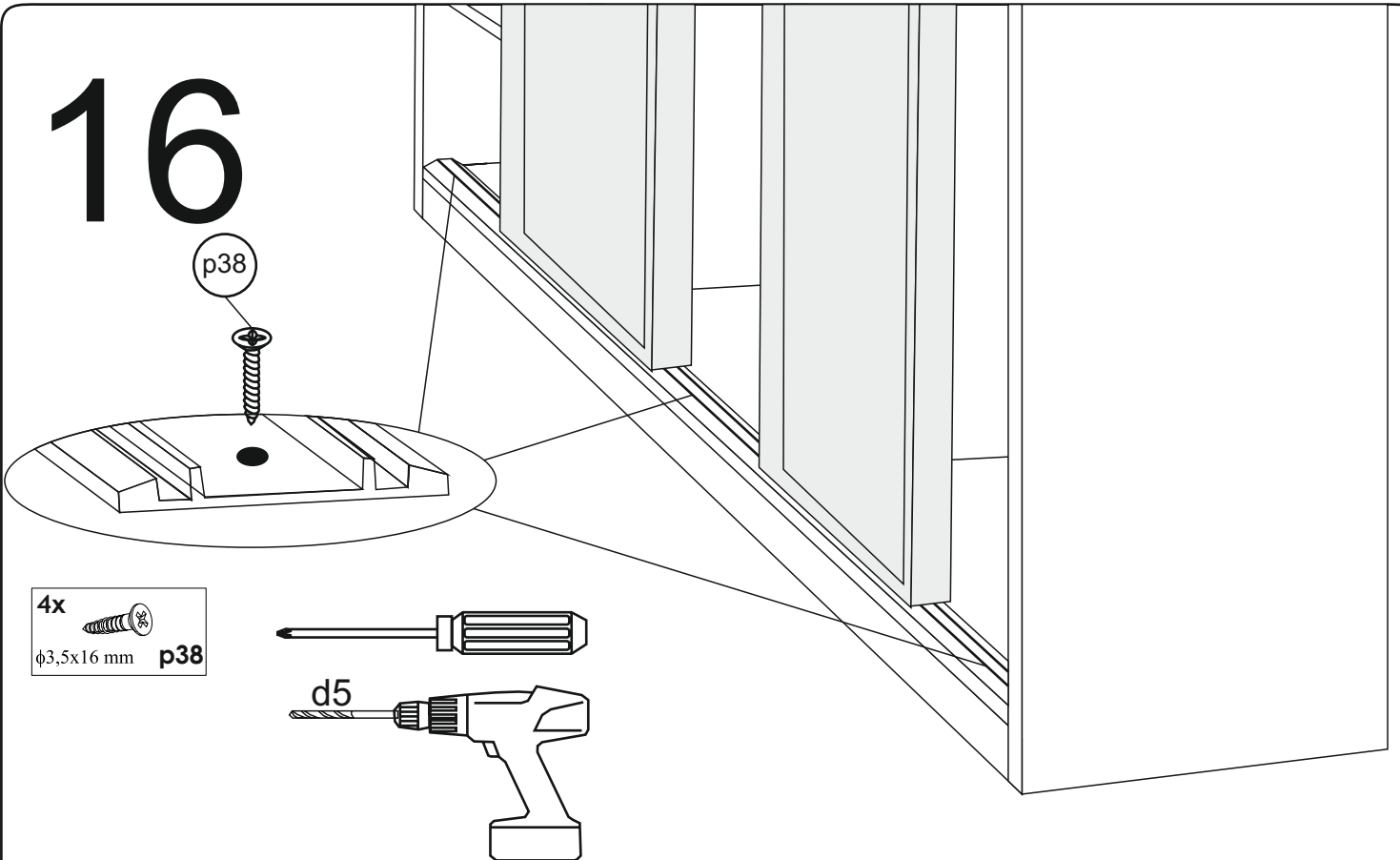
# 14



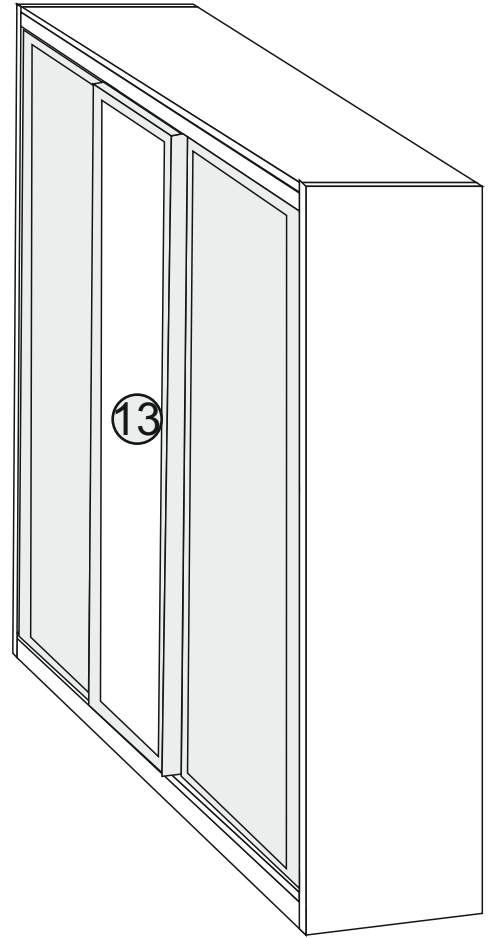
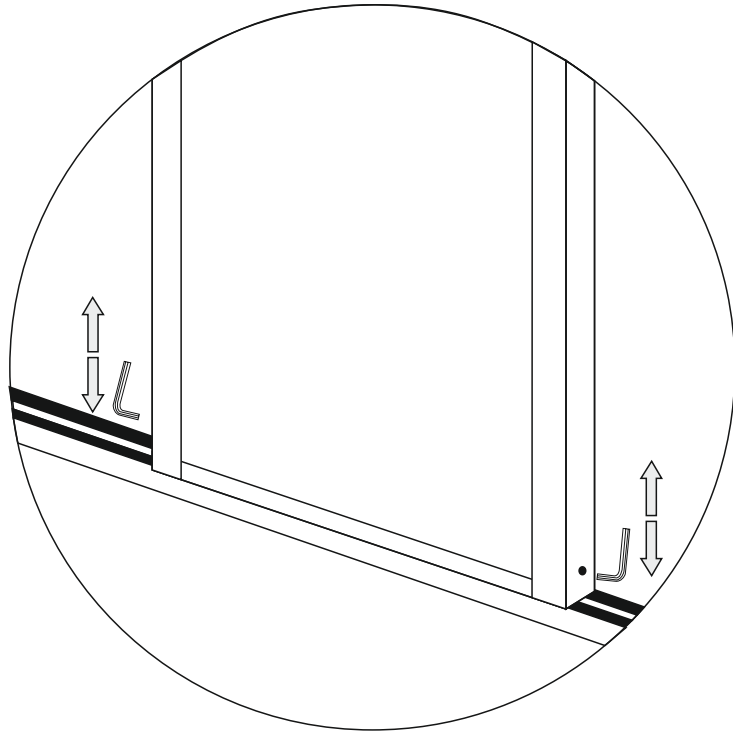
# 15



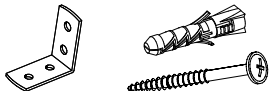
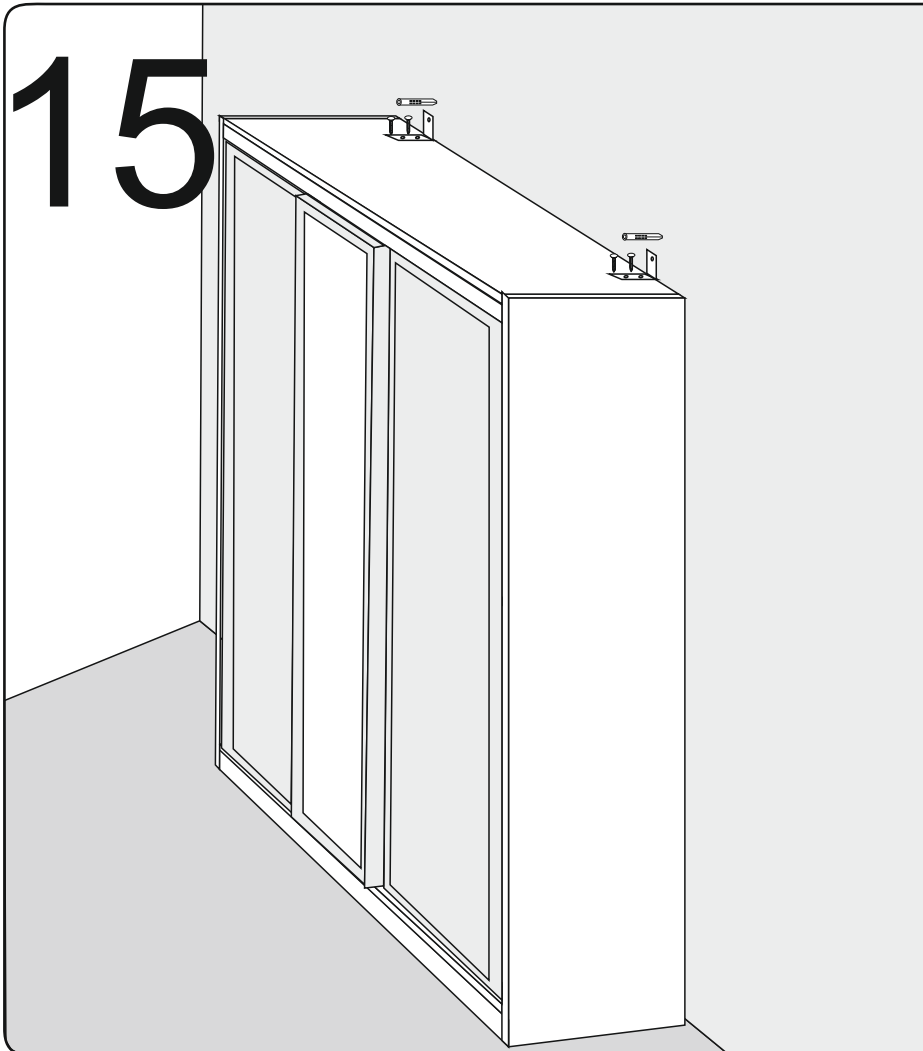
# 16



# 14



# 15



The dowel and the wall mounting angle are not included.  
Purchase separately.

