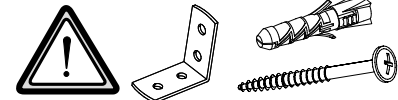
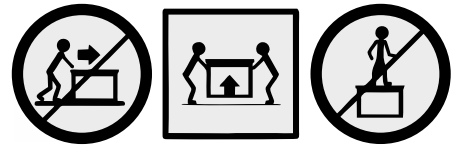
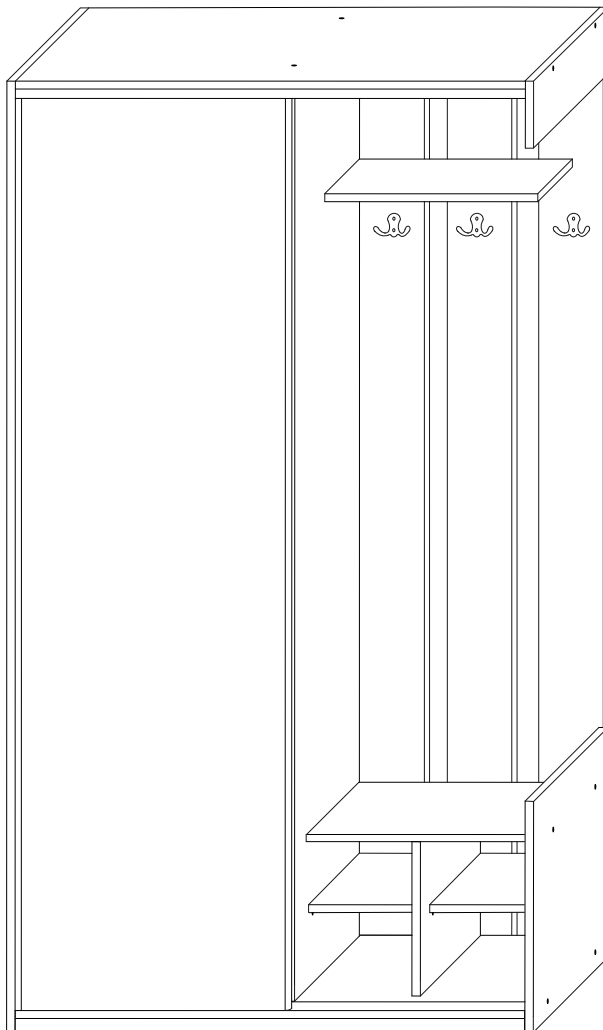


# Sliding wardrobe City Lite 1 door 2100x1100x420 mm

## ASSEMBLY INSTRUCTION



**To avoid falling**  
we recommend fixing the product to the wall  
using **corners** or **double-sided tape**  
Purchase separately.

**Dimensions**  
Height: 2100 mm  
Width: 1100 mm  
Depth: 420 mm



### **NOTE!**

For all questions and complaints about this product, please contact the place of purchase of this product.



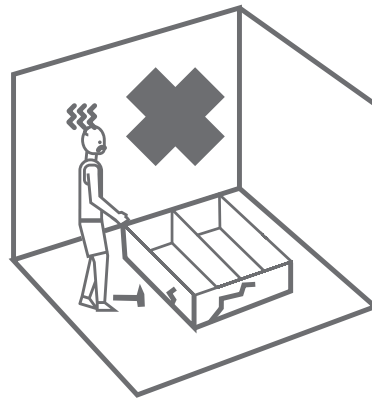
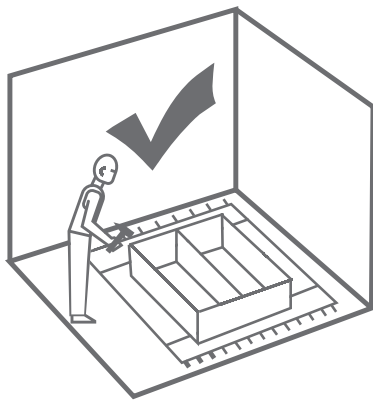
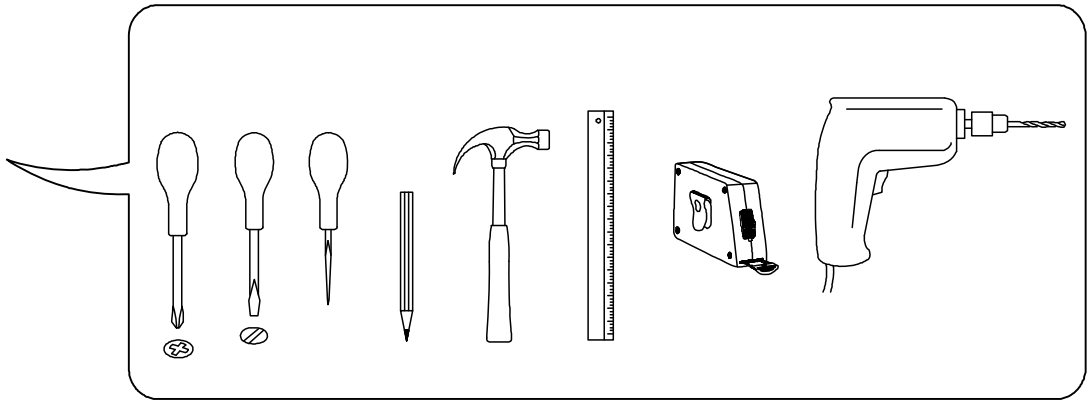
### **RULES FOR USE AND CARE OF FURNITURE**

1. Use furniture only in dry rooms protected from the effects of weather conditions.
2. Install with suitable tools according to these assembly instructions.
3. Try to assemble as close to the location as possible.
4. The body is assembling in a horizontal position.
5. Before moving furniture, make sure that it is not loaded with items.

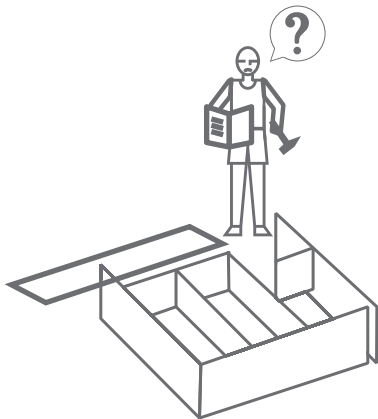
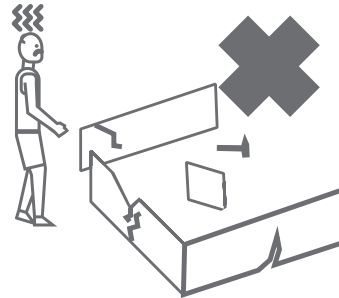
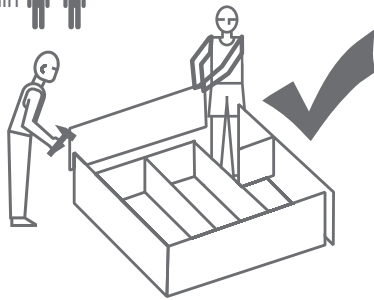
**Caution:** moving furniture may damage it.

When moving, hold on to vertical elements only; moving furniture by horizontal parts can break the product.

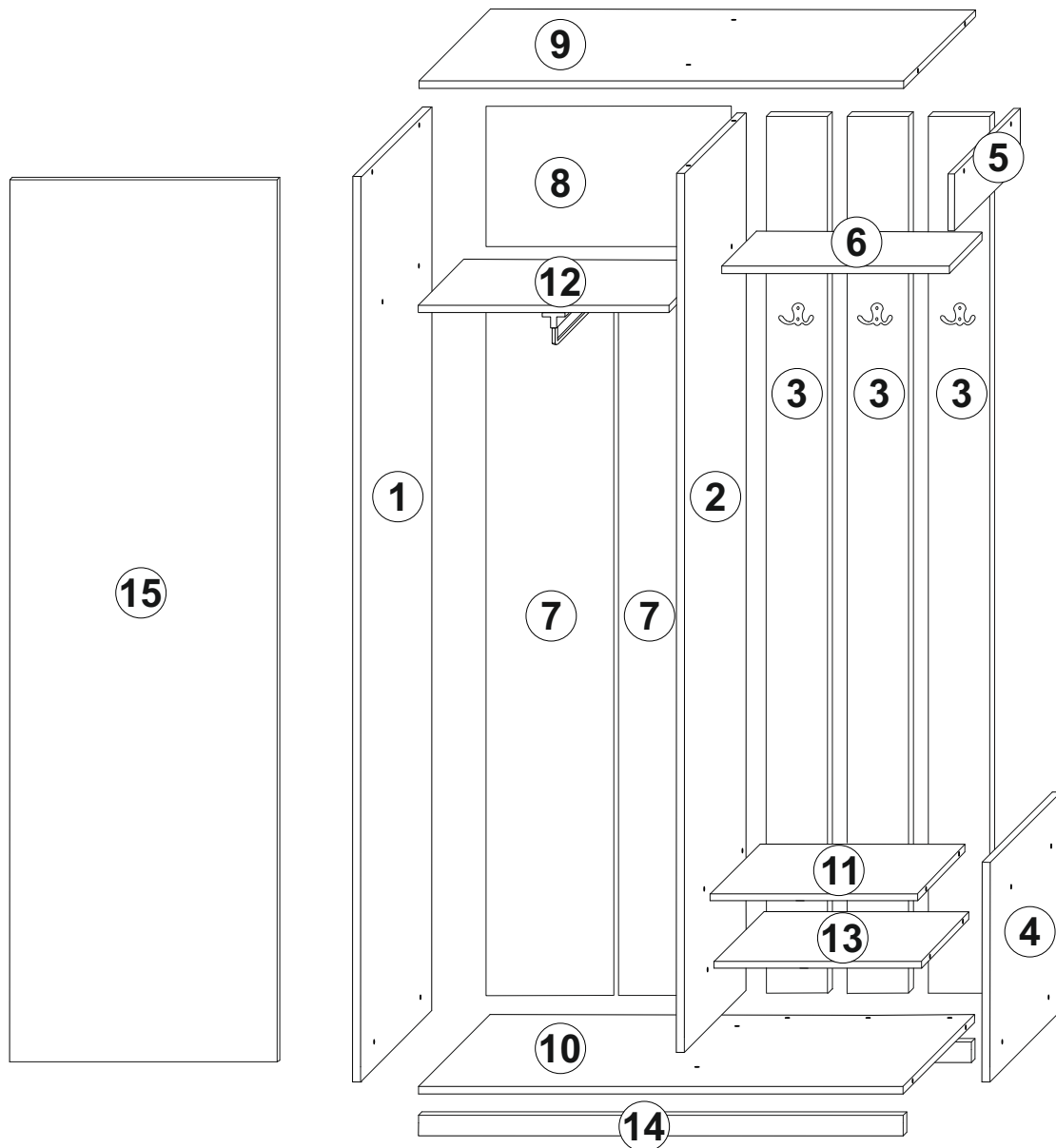
6. Overloading the furniture can damage it.
7. From time to time check the fittings and their correct position.
8. Wipe the furniture surface only with a slightly damp cloth or paper towels. Do not use chemical cleaning agents other than those specifically made for this.



60-120 min

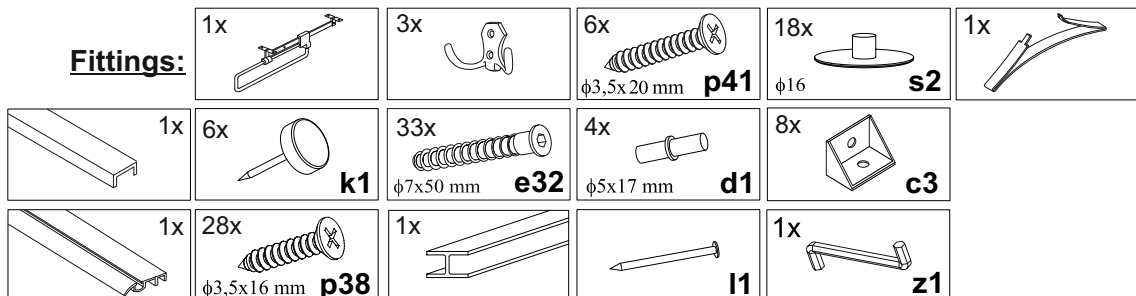


# PARTS LIST


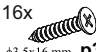


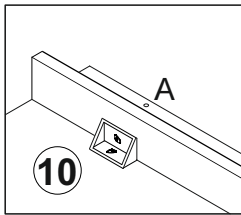
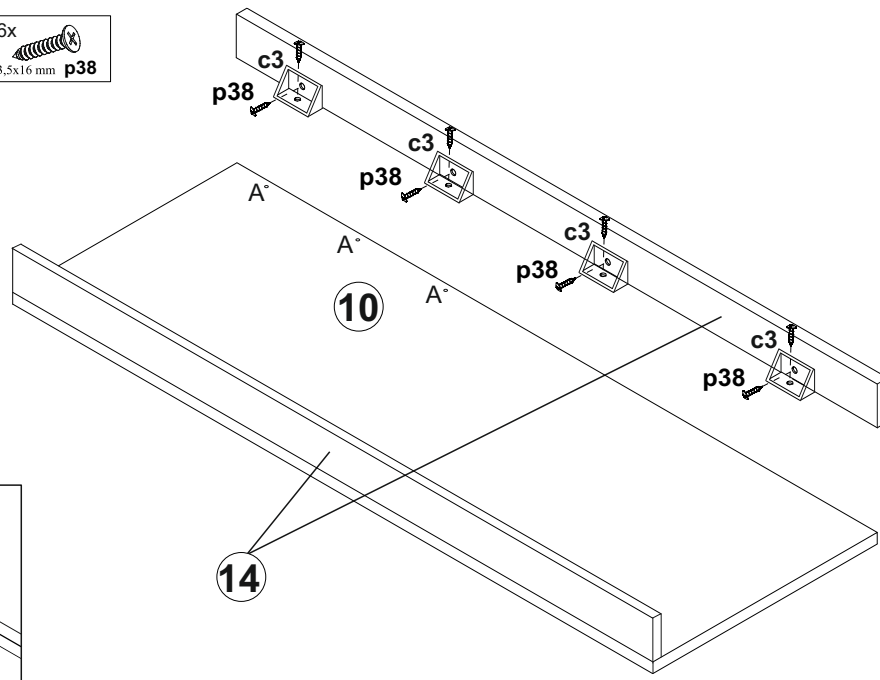
Nº	Description	Dimensions	Nº pack	Qty.	Nº	Description	Dimensions	Nº pack	Qty.
1	L.STAND	2100 448	1/3	1	8	B.WALL 2	355 604	1/3	1
2	IN.STAND	2022 400	1/3	1	9	ROOF	1068 448	2/3	1
3	B.PARTITION	2022 199	1/3	3	10	BOTTOM	1068 488	2/3	1
4	R.B.STAND	550 448	1/3	1	11	SHELF 2	476 380	2/3	1
5	R.U.STAND	120 448	1/3	1	12	SHELF 3	576 380	2/3	1
6	SHELF	450 240	1/3	1	13	SHELF 4	475 380	2/3	1
7	B.WALL	1693 302	1/3	2	14	B.PARTITION	1068 46	2/3	2
					15	DOOR		3/3	4

## Fittings:




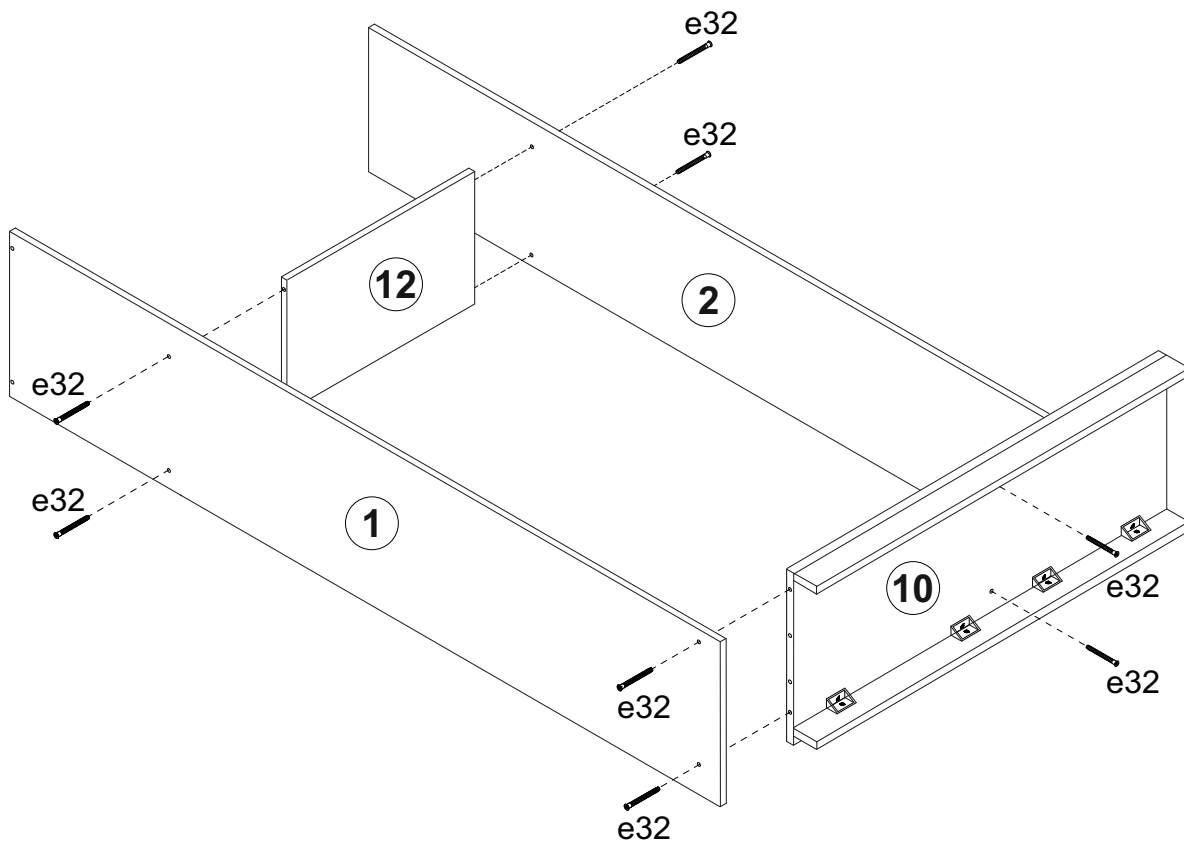
1

8x  c3  
16x  p38  
φ3,5x16 mm

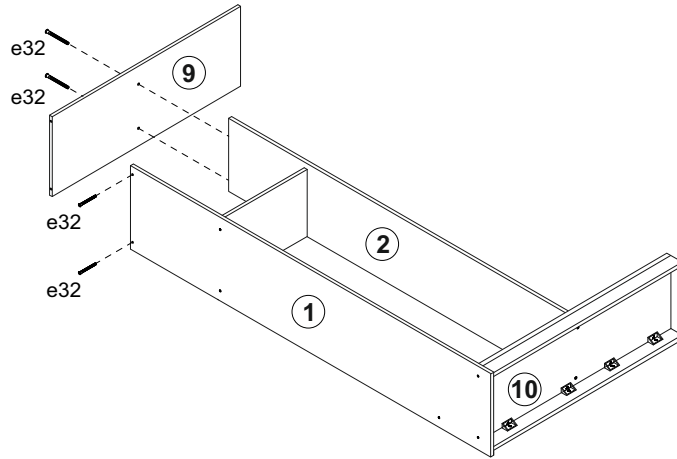
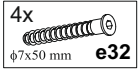


2

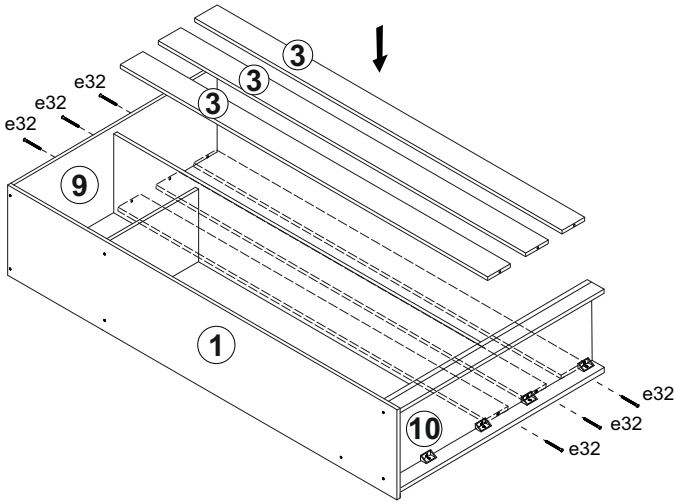
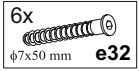
8x  e32  
φ7x50 mm



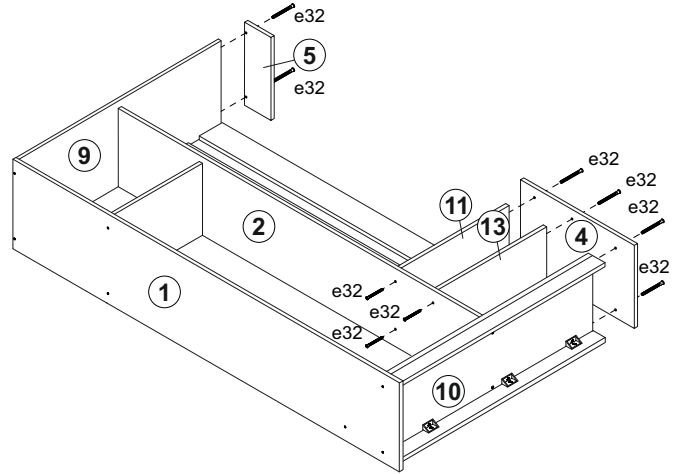
**3**



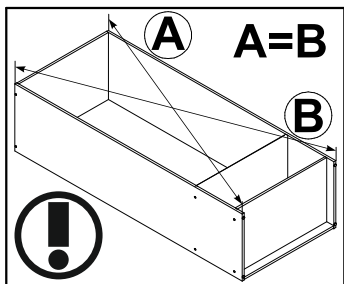
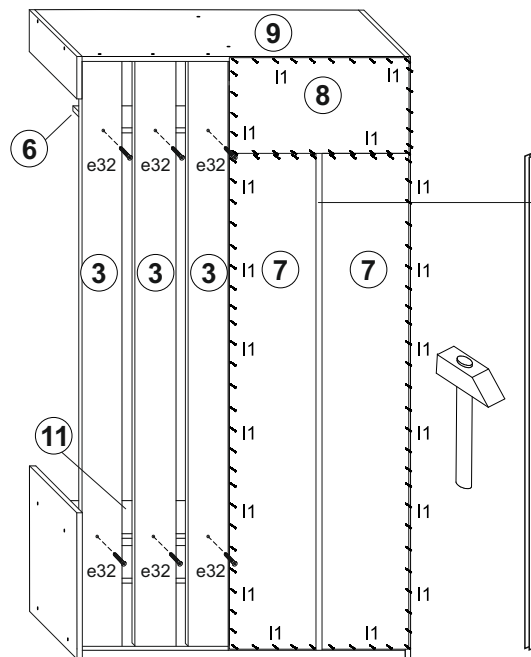
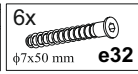
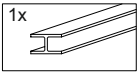
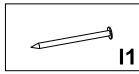
**4**



**5**




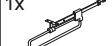
**6**



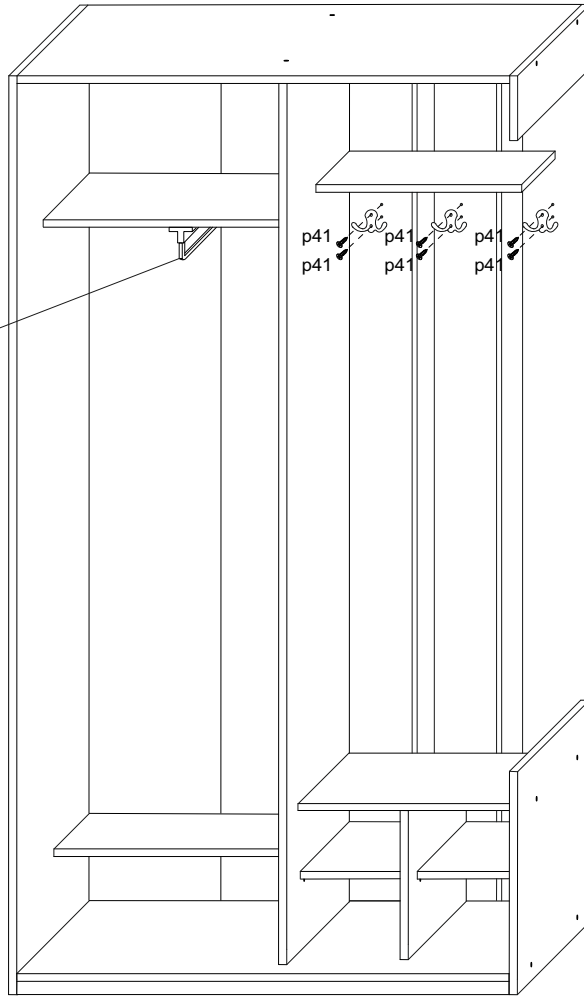
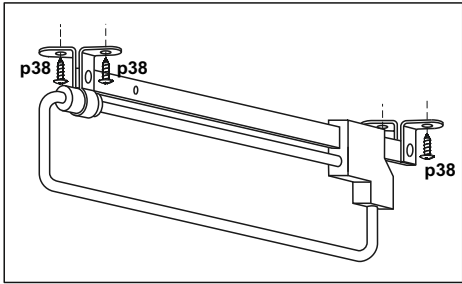
# 7

6x   $\phi 3,5 \times 20 \text{ mm}$  p41

3x 

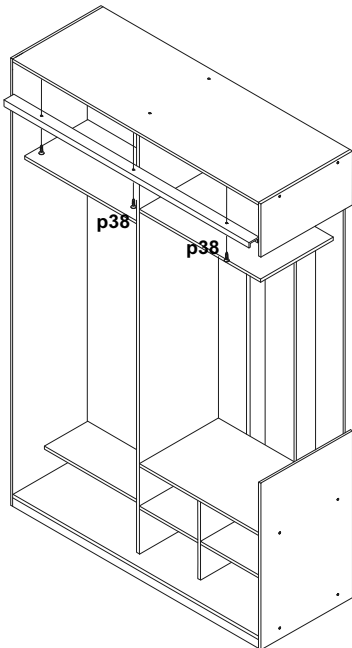
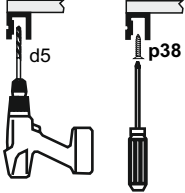
1x 

4x   $\phi 3,5 \times 16 \text{ mm}$  p38




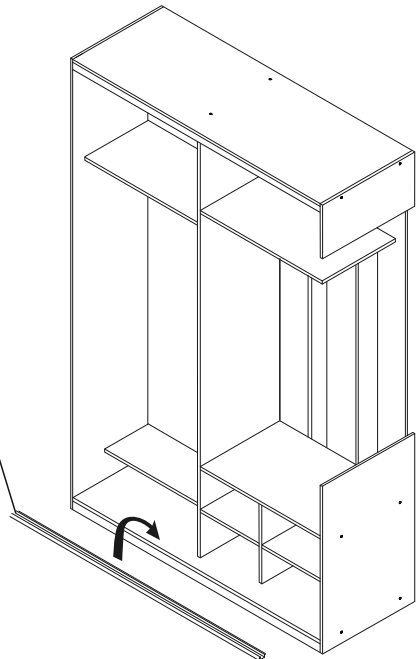
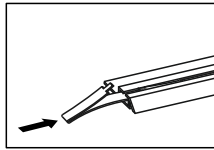
# 8

3x   $\phi 3,5 \times 16 \text{ mm}$  p38

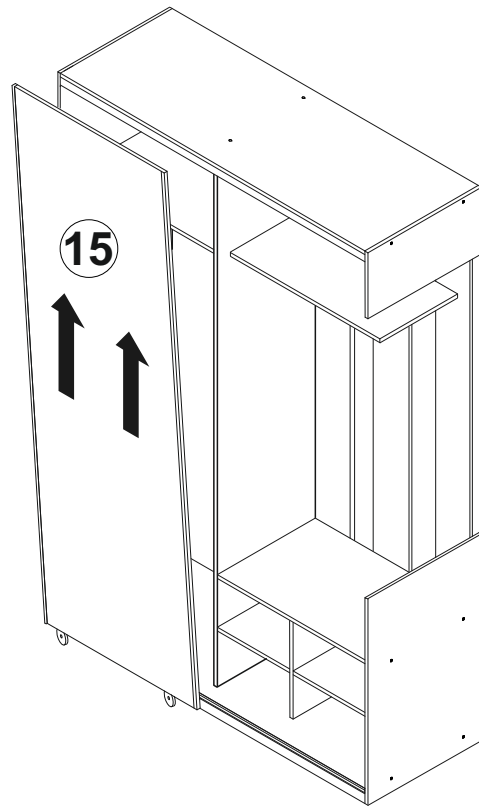
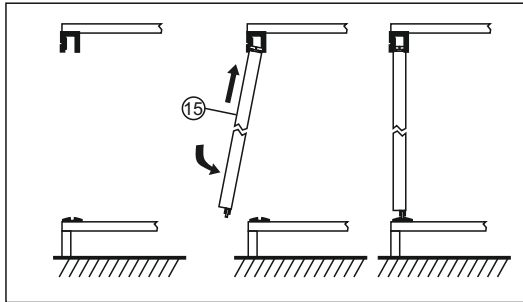


# 9

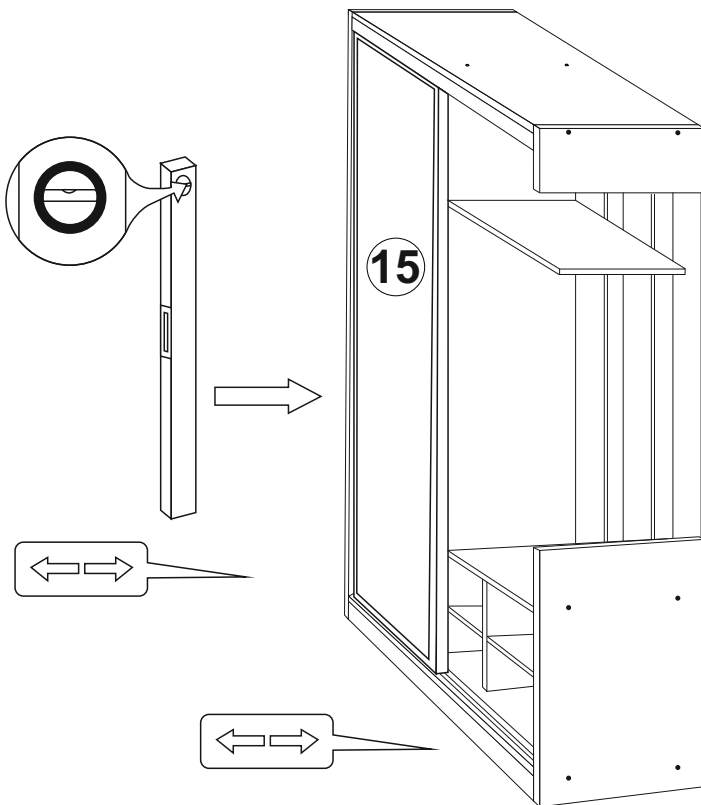
1x 



# 10



# 11



# 12

3x  
 $\phi 3.5 \times 16$  mm p38

