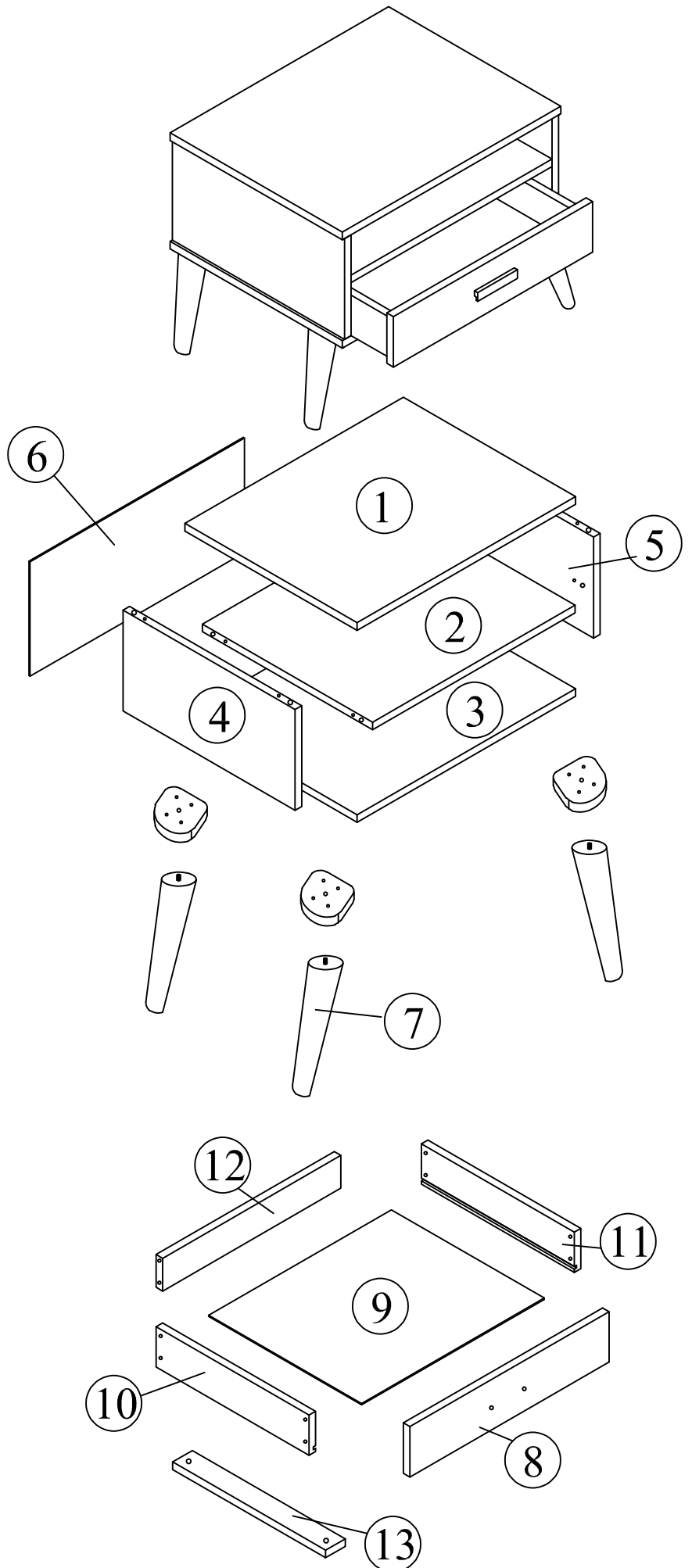
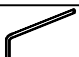

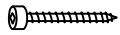



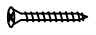
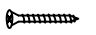
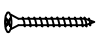
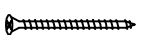







# Assembly Instructions

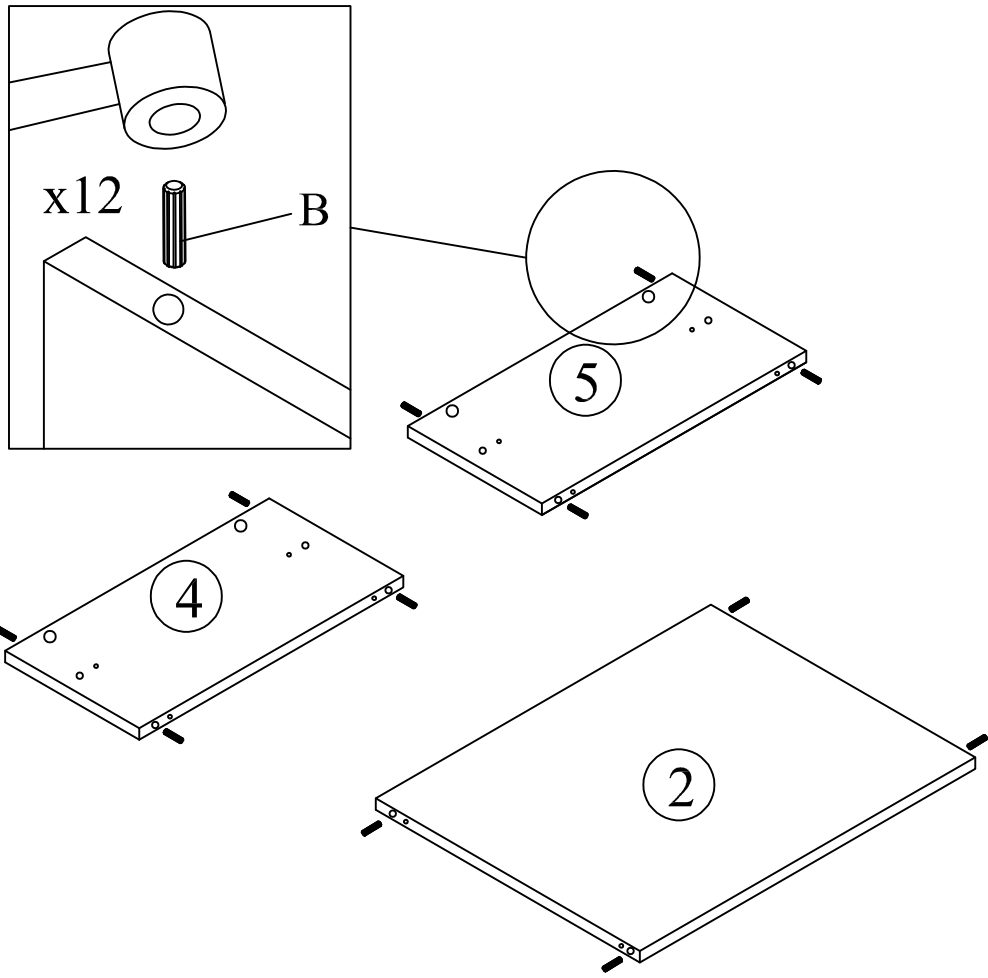
Model: ET-8002 Side Table

Part List		QTY
1	Top Panel	1
2	Middle Panel	1
3	Bottom Panel	1
4	Left Side Panel	1
5	Right Side Panel	1
6	Back Panel	1
7	Legs	4
8	Drawer Front Panel	1
9	Drawer Bottom Panel	1
10	Drawer Left Side Panel	1
11	Drawer Right Side Panel	1
12	Drawer Back Panel	1
13	Drawer Bottom Bar	1

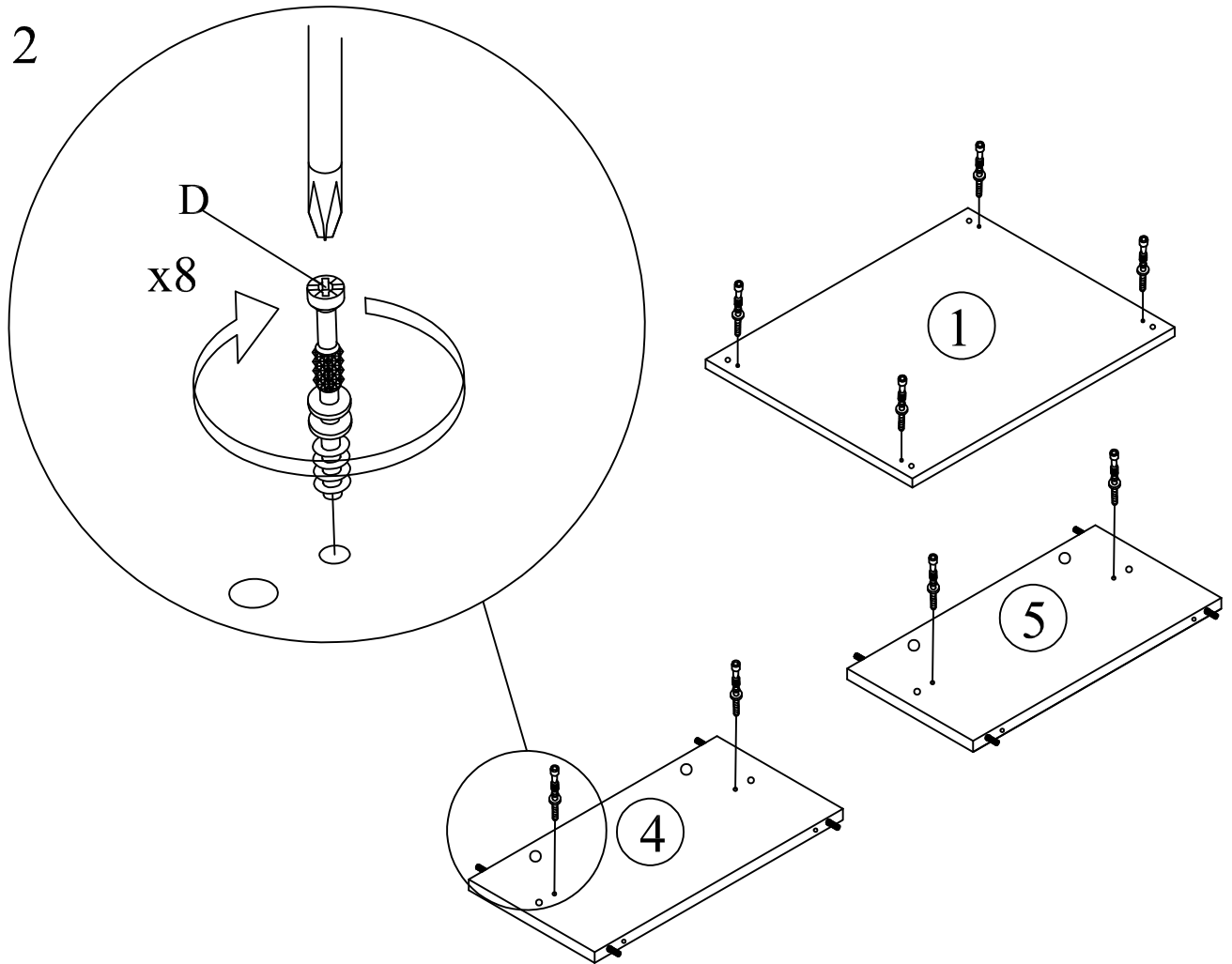


Hardware		QTY
A	Allen Key M4 	1
B	Dowel 	12
C	JCBC W Screw M6x40 	4
D	Mini Fix Bolt 	8
E	Mini Fix Housing 	8
F	Mini Fix Cap 	8
G	CSK Screw M4x20mm 	16
H	CSK Screw M3.5x16mm 	12
I	CSK Screw M4x32mm 	2
J	CSK Screw M4x50mm 	8
K	Handle Screw 40mm 	2
L	Nail 	18
M	Mounting Leg 	4
N	Handle 	1
O	14" Drawer Slide 	1 set

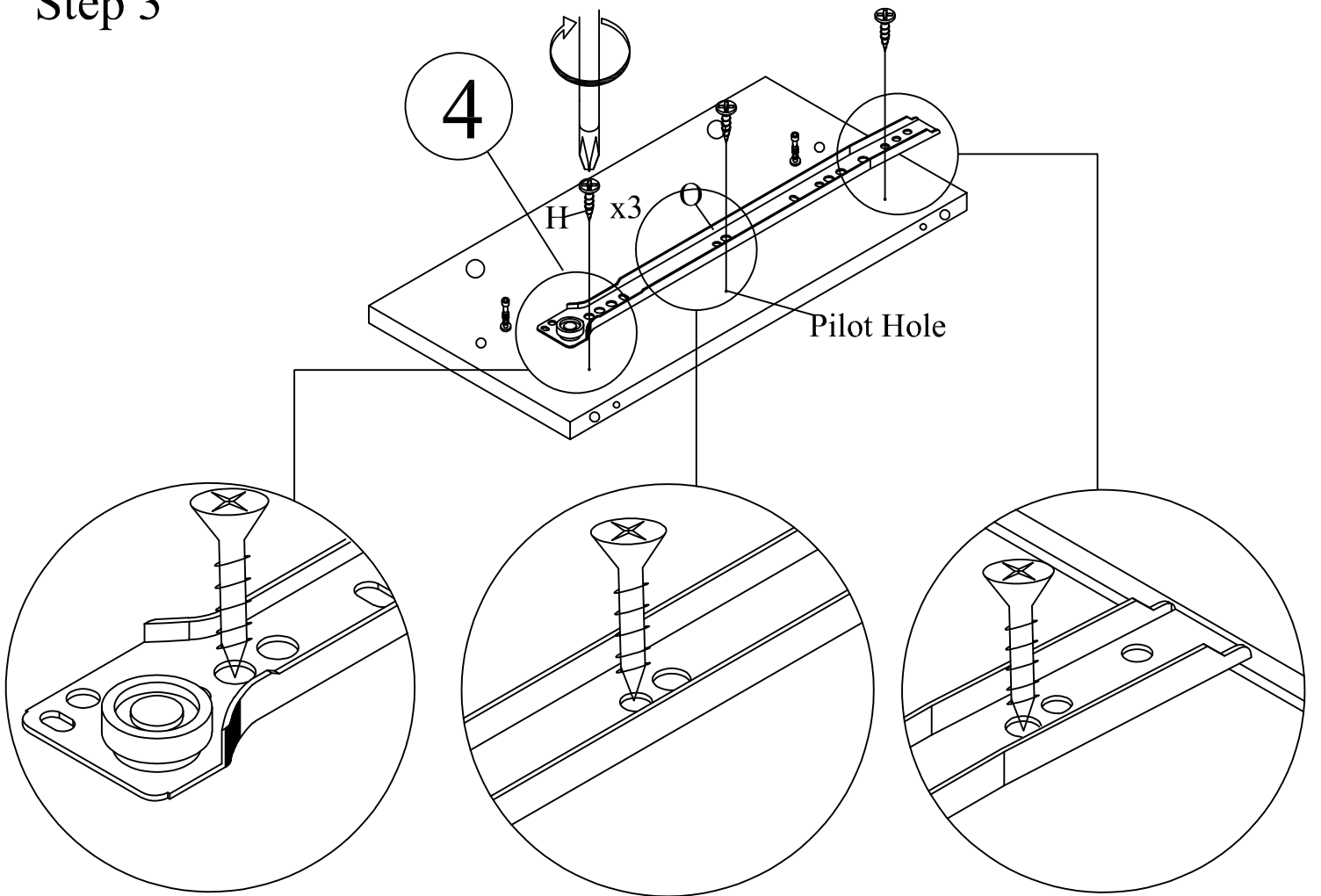
# Step 1



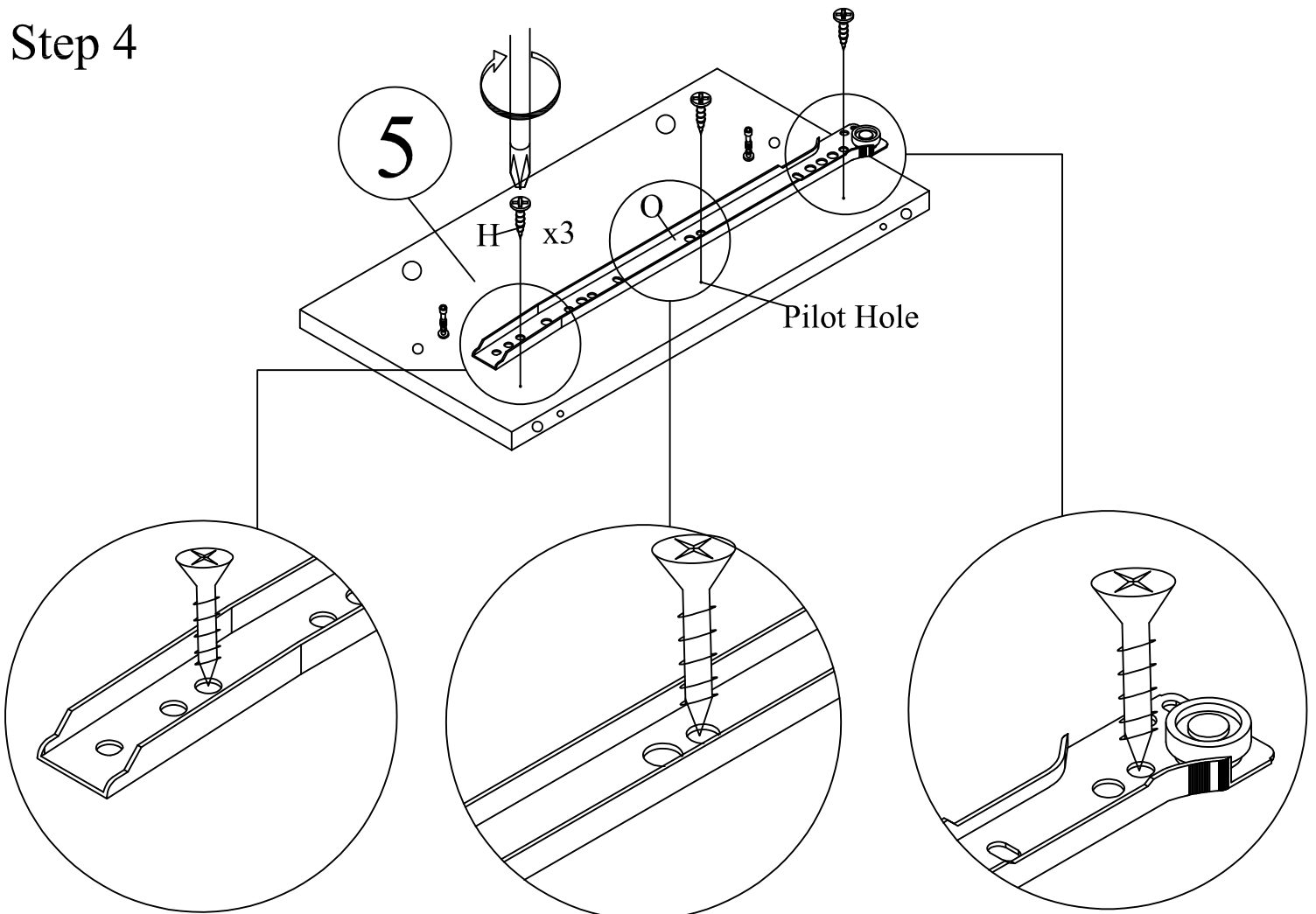
# Step 2



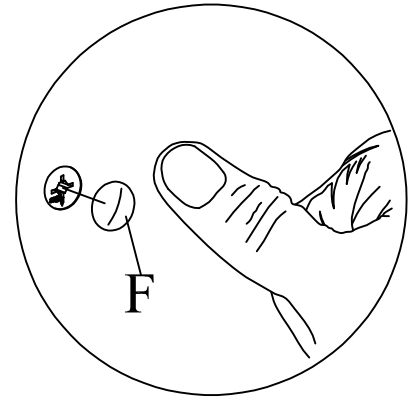
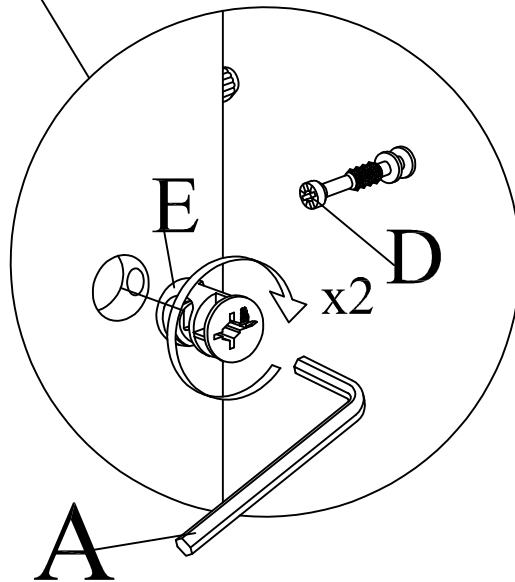
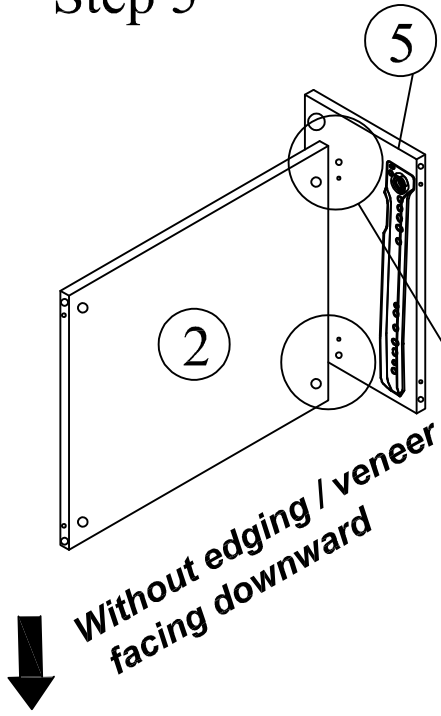
### Step 3



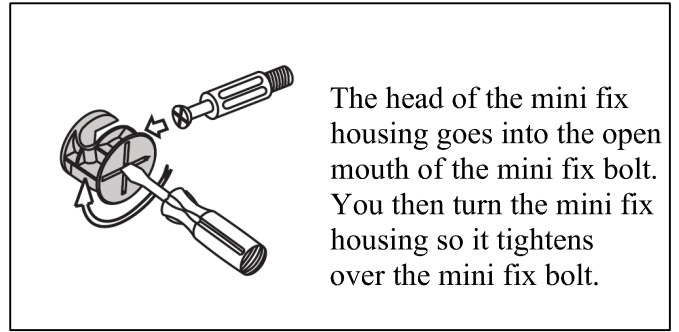
### Step 4



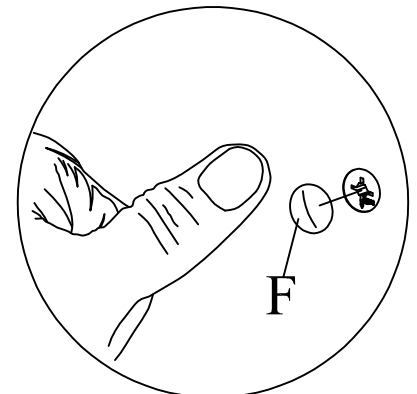
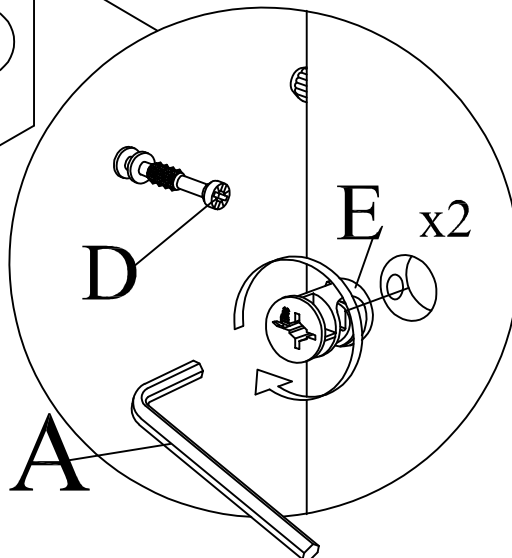
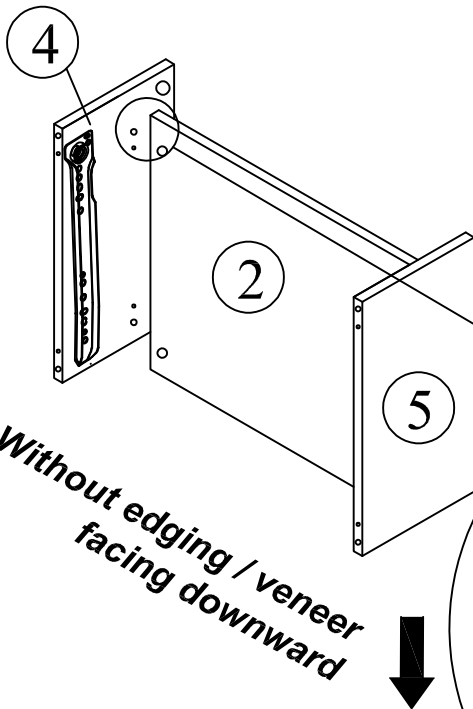
## Step 5



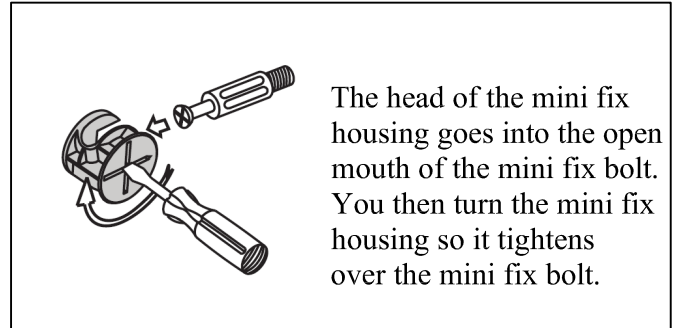
*\*Attach Minifix Cap as shown.*



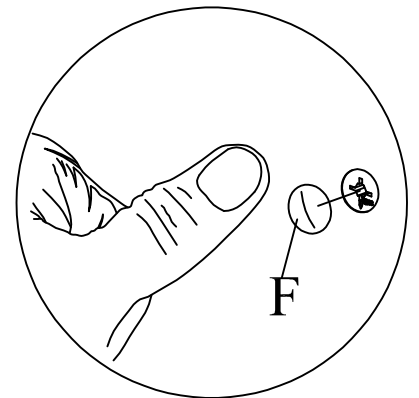
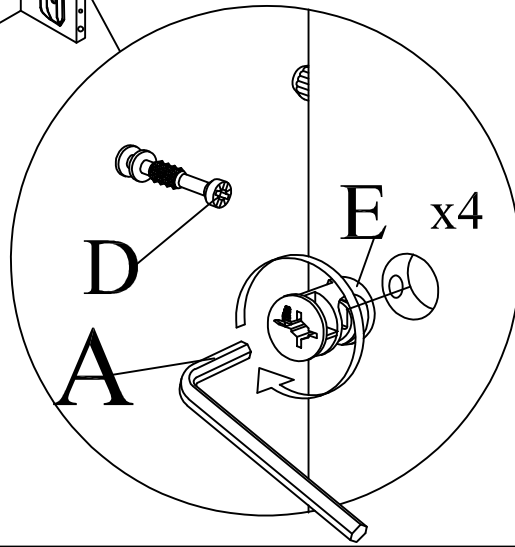
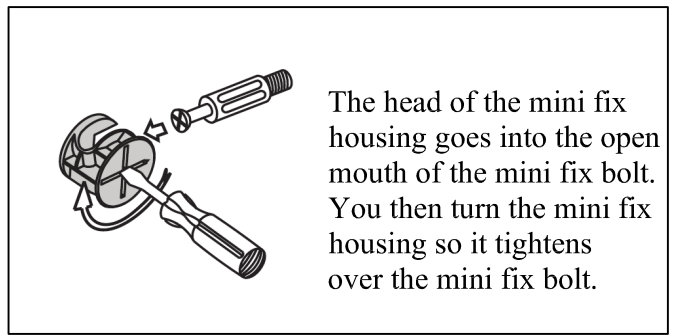
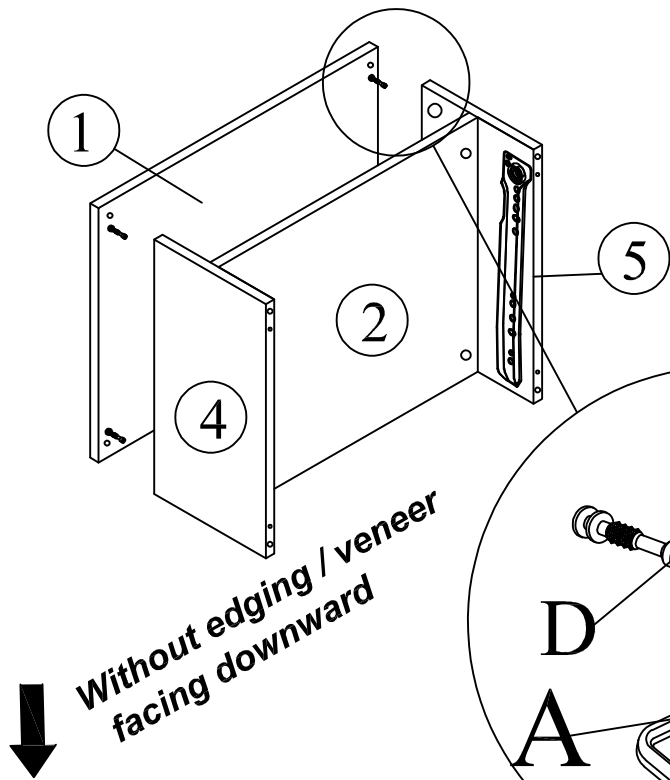
## Step 6



*\*Attach Minifix Cap as shown.*

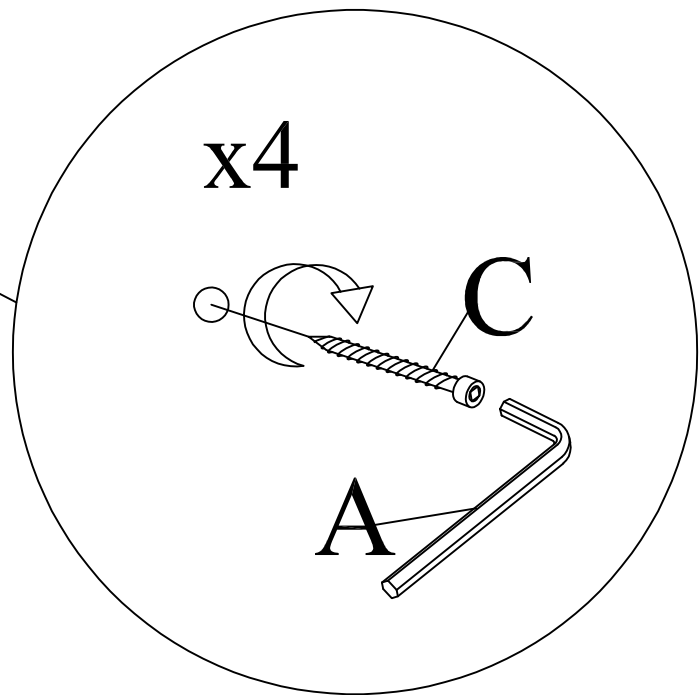
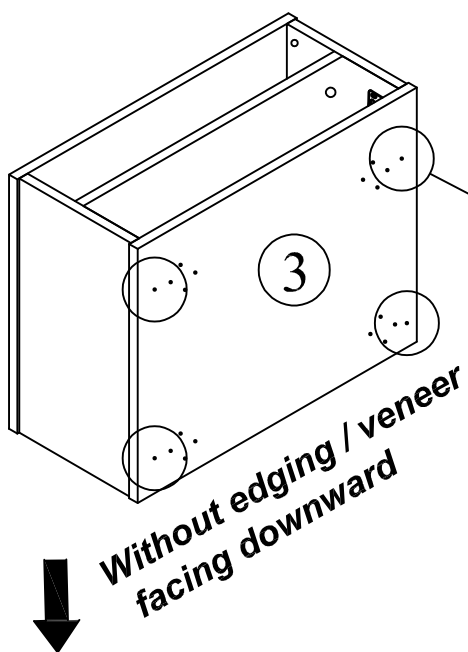


## Step 7

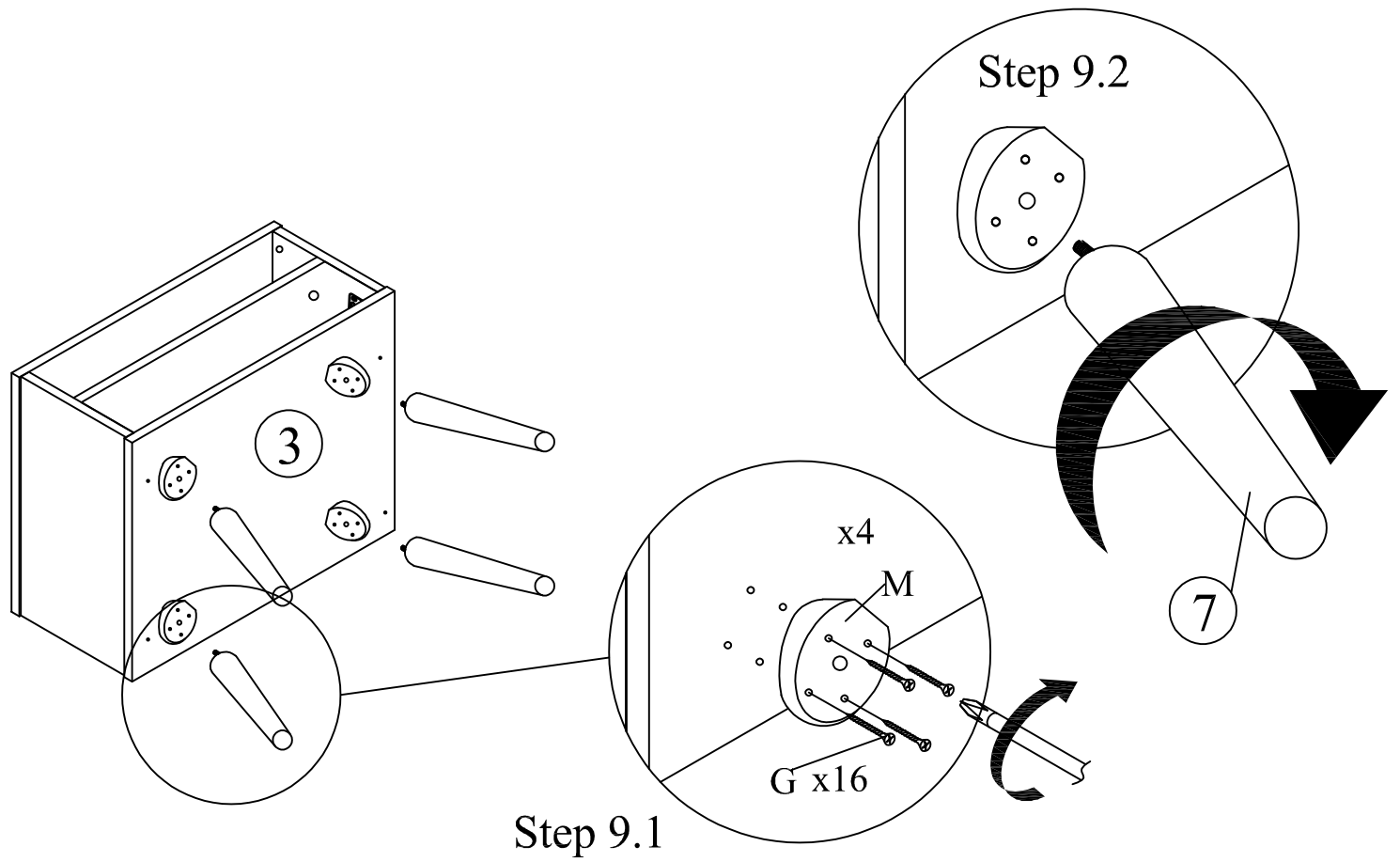


*\*Attach Minifix Cap as shown.*

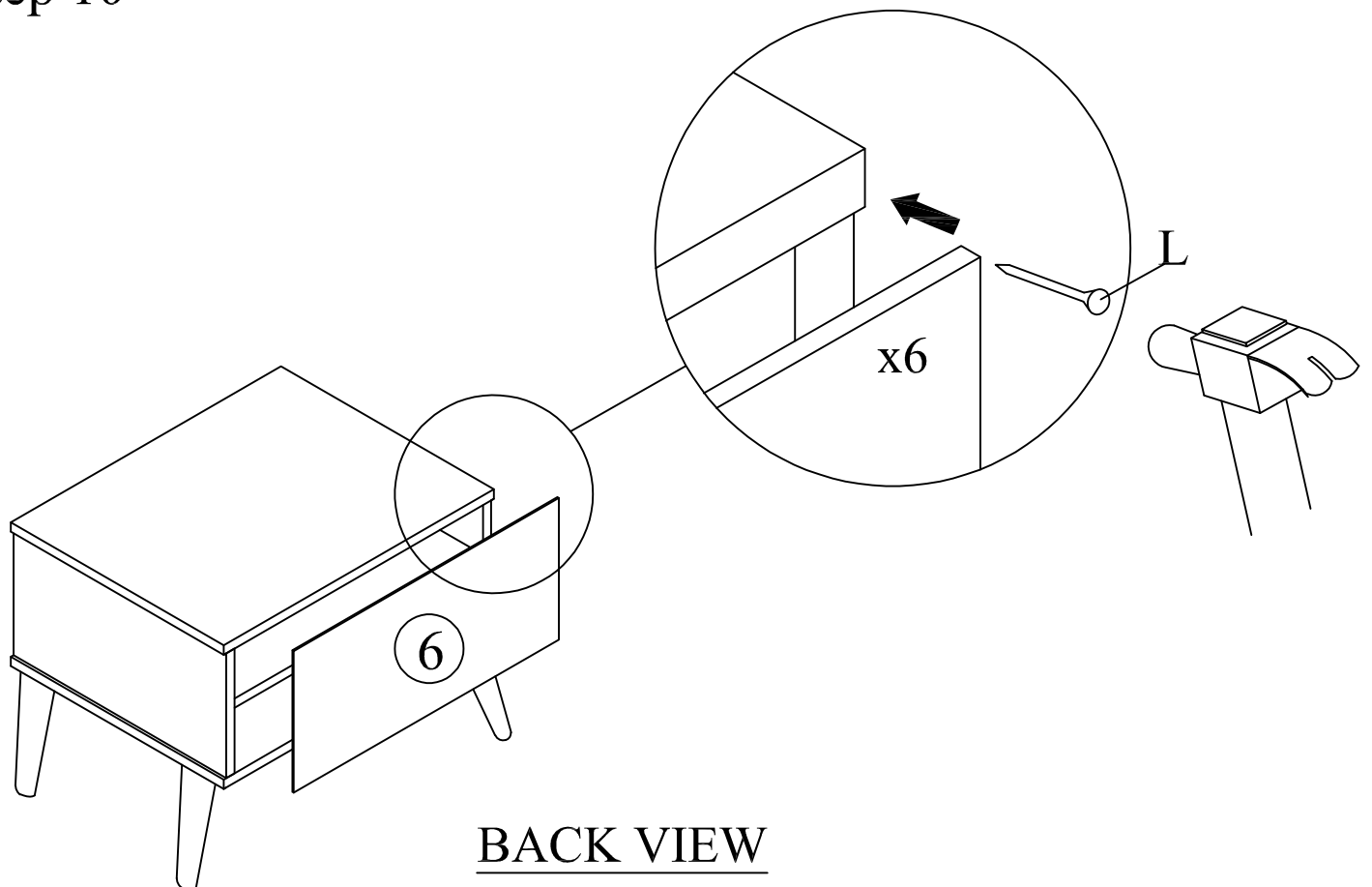
## Step 8



# Step 9

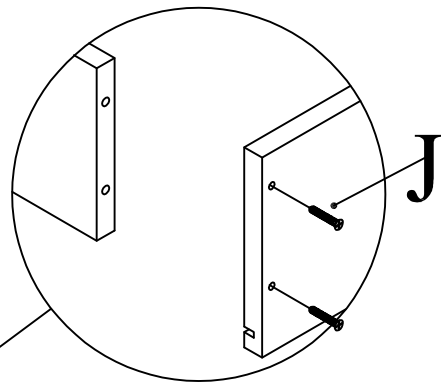
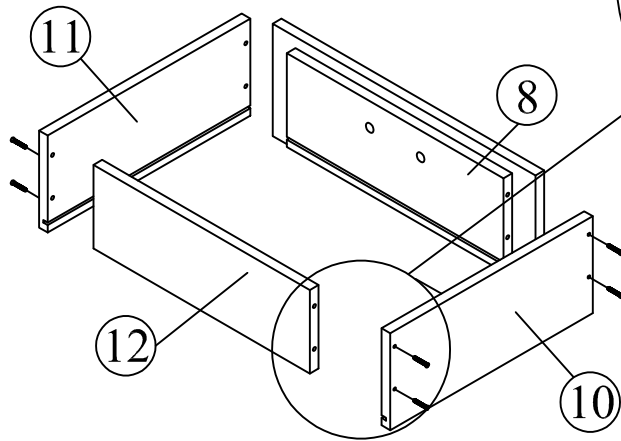


# Step 10

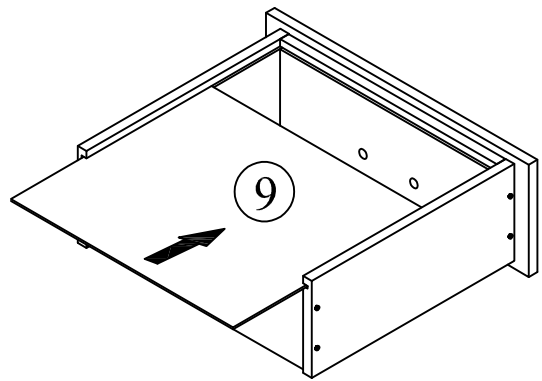


# Step 11

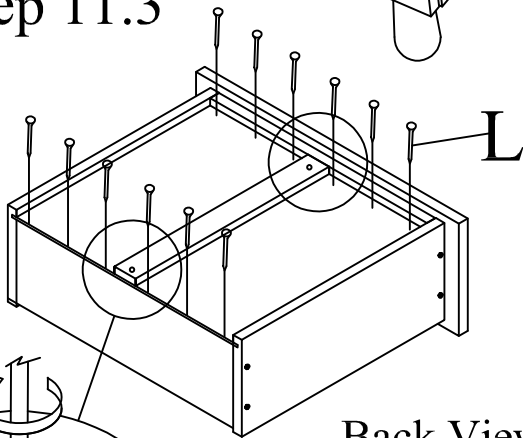
## Step 11.1



## Step 11.2

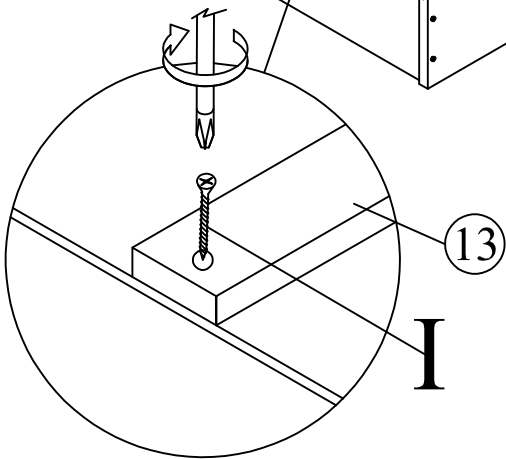


## Step 11.3

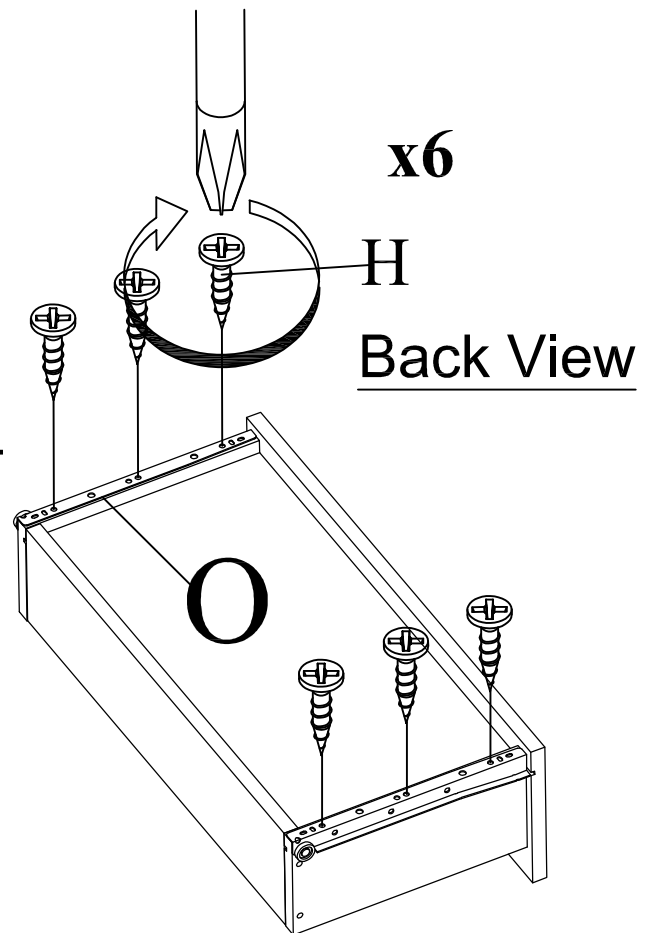


Back View

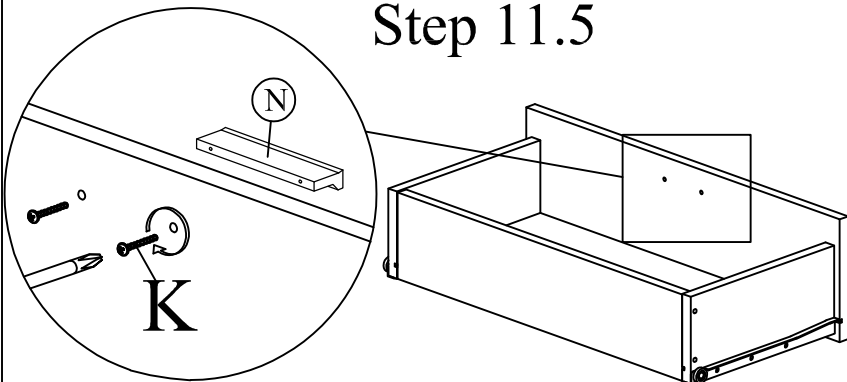
Back View



## Step 11.4



## Step 11.5



# Step 12

