

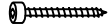




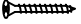




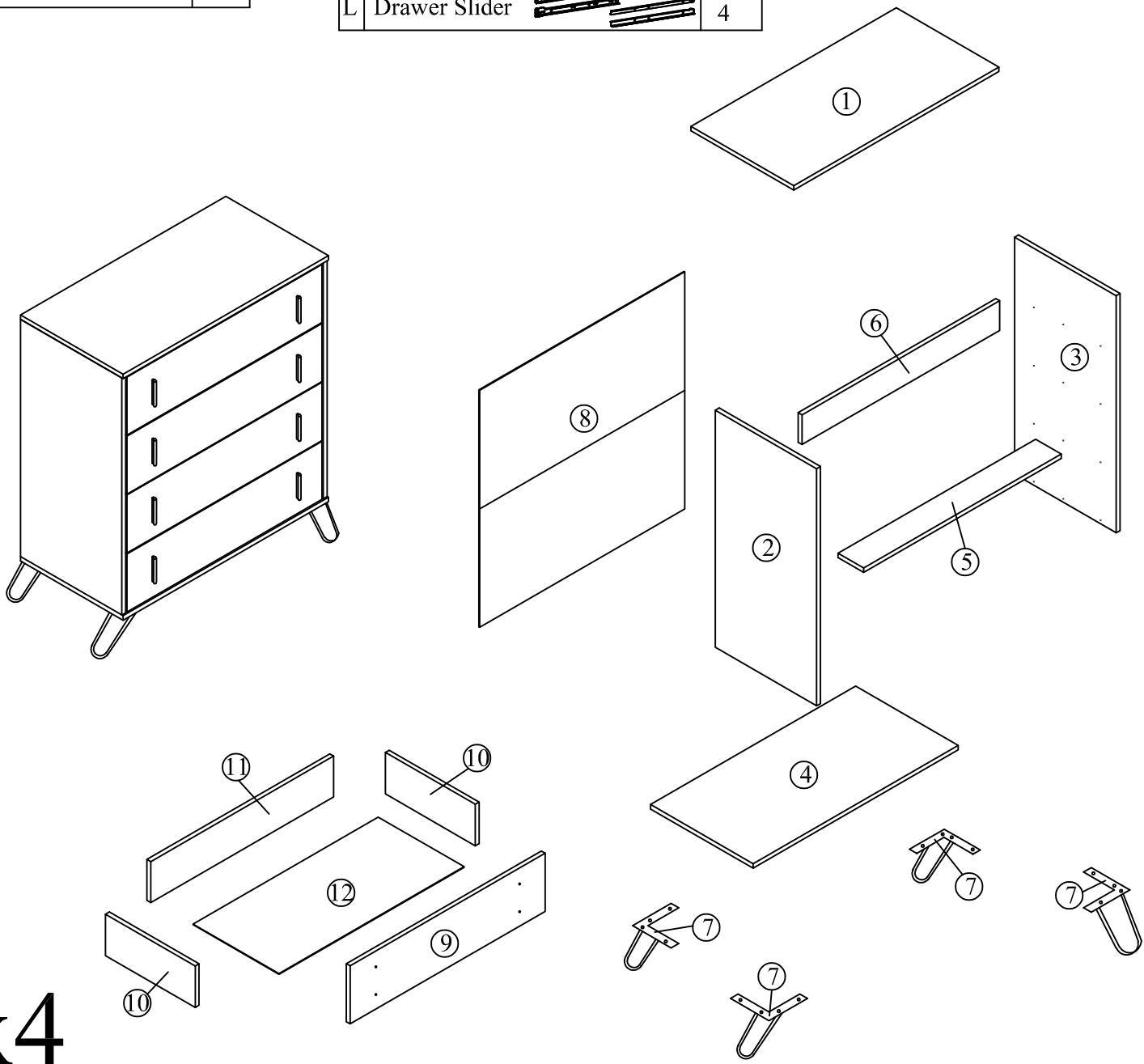


Assembly Instructions

CH 8005

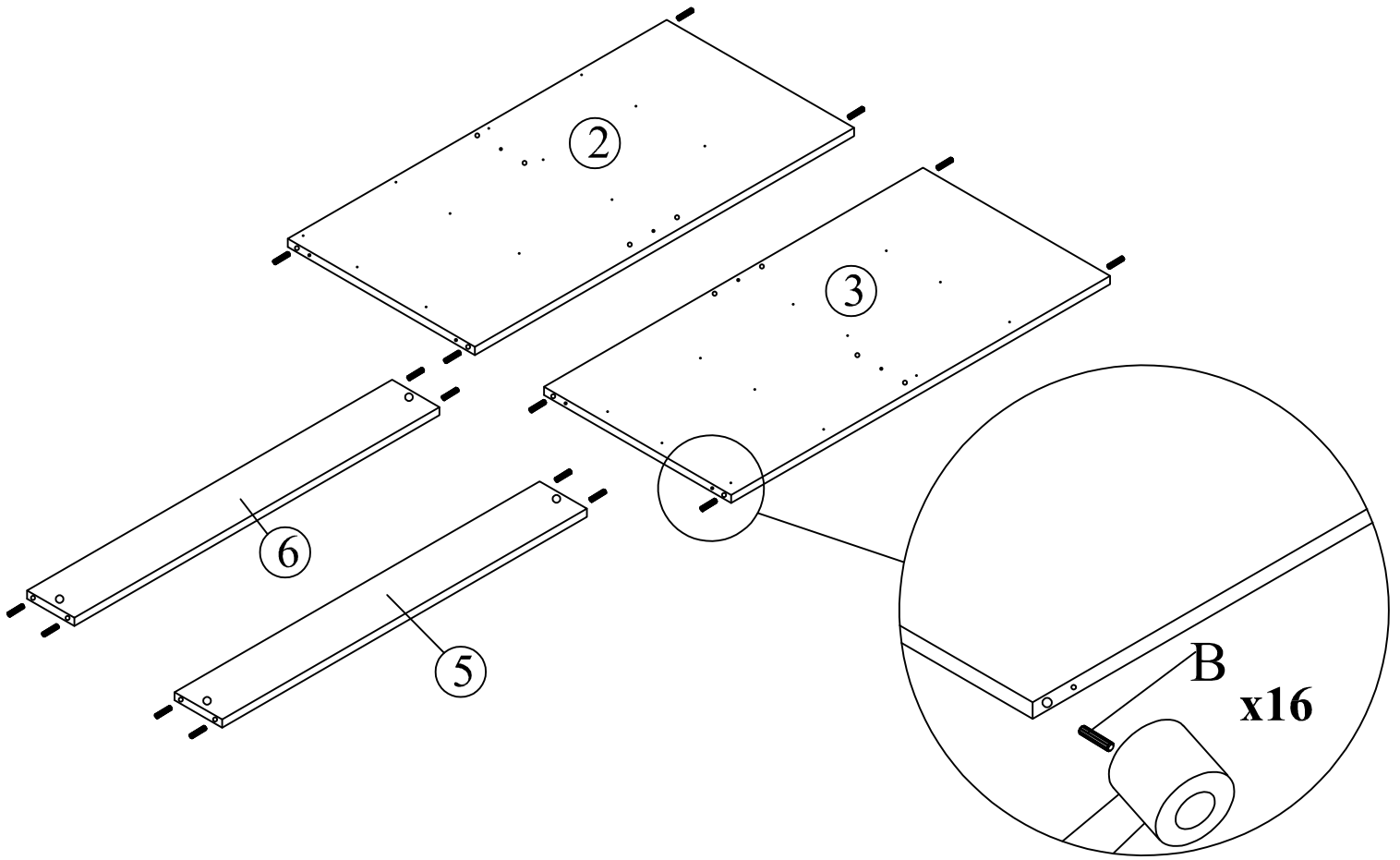
Part List		QTY
1	Top Panel	1
2	Left Side Panel	1
3	Right Side Panel	1
4	Bottom Panel	1
5	Front Support Panel	1
6	Back Support Panel	1
7	Legs	4
8	Back Panel	1
9	Drawer Front Panel	4
10	Drawer Side Panel	8
11	Drawer Back Panel	4
12	Drawer Bottom Panel	4

Hardware		QTY
A	Allen Key M4 	1
B	Dowel 	16
C	JCBC W Screw M6x40 	4
D	Mini Fix Bolt 	8
E	Mini Fix Housing 	8
F	Mini Fix Cap 	8
G	CSK Screw M3.5x16mm 	64
H	CSK Screw M4x50mm 	32
I	Handle 	8
J	Handle screw 35mm 	16
K	Nail 	32
L	Drawer Slider 	4

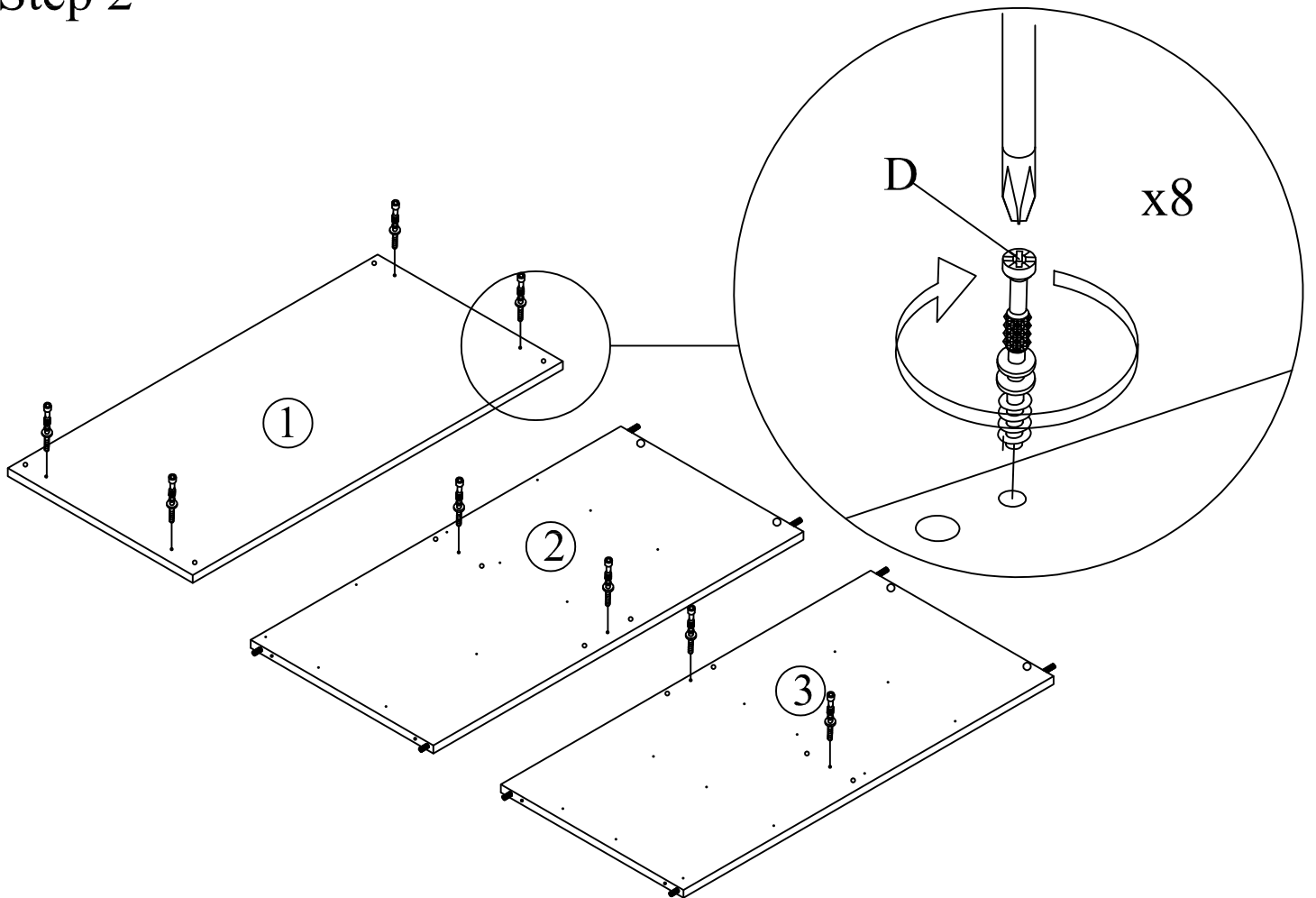


x4

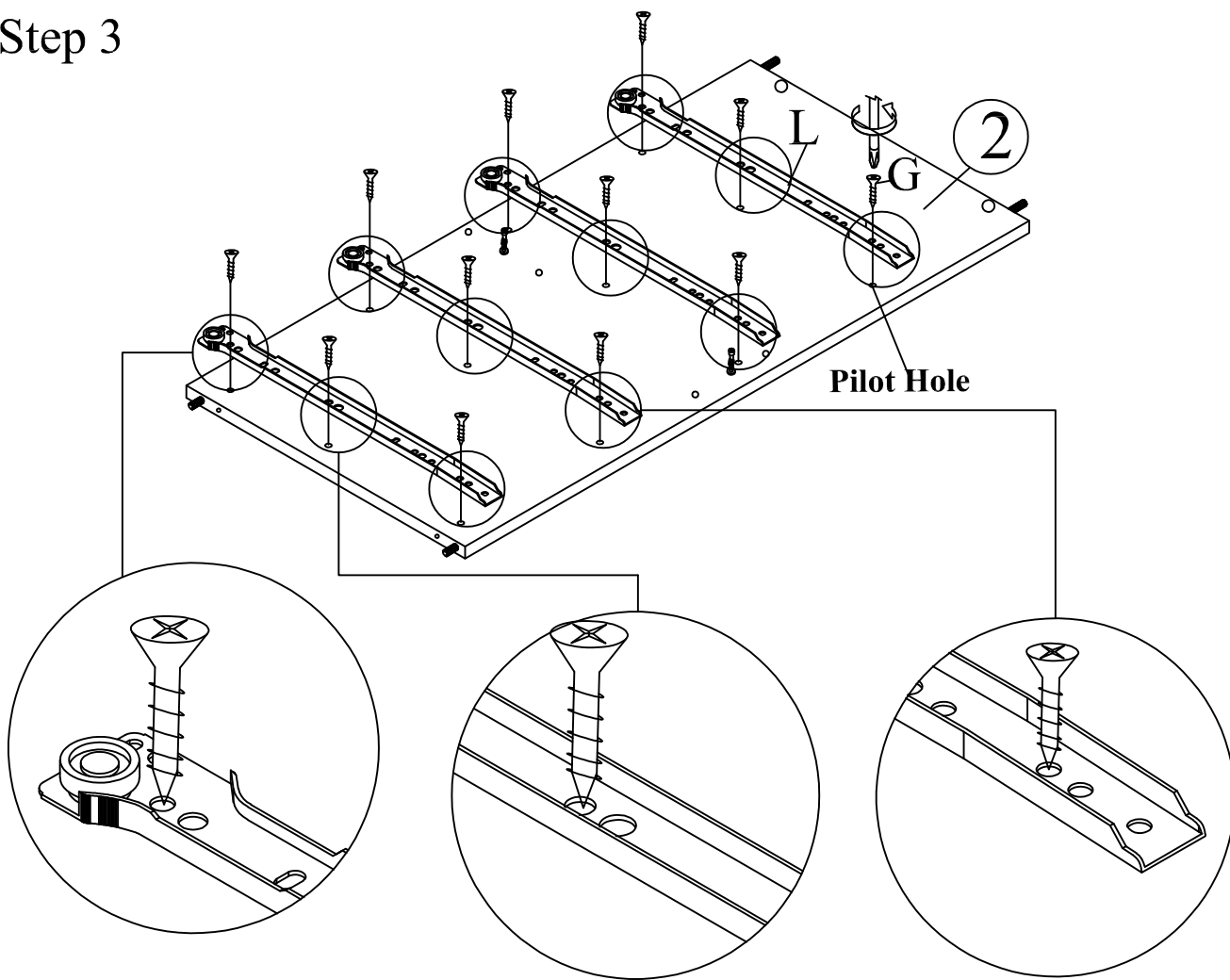
Step 1



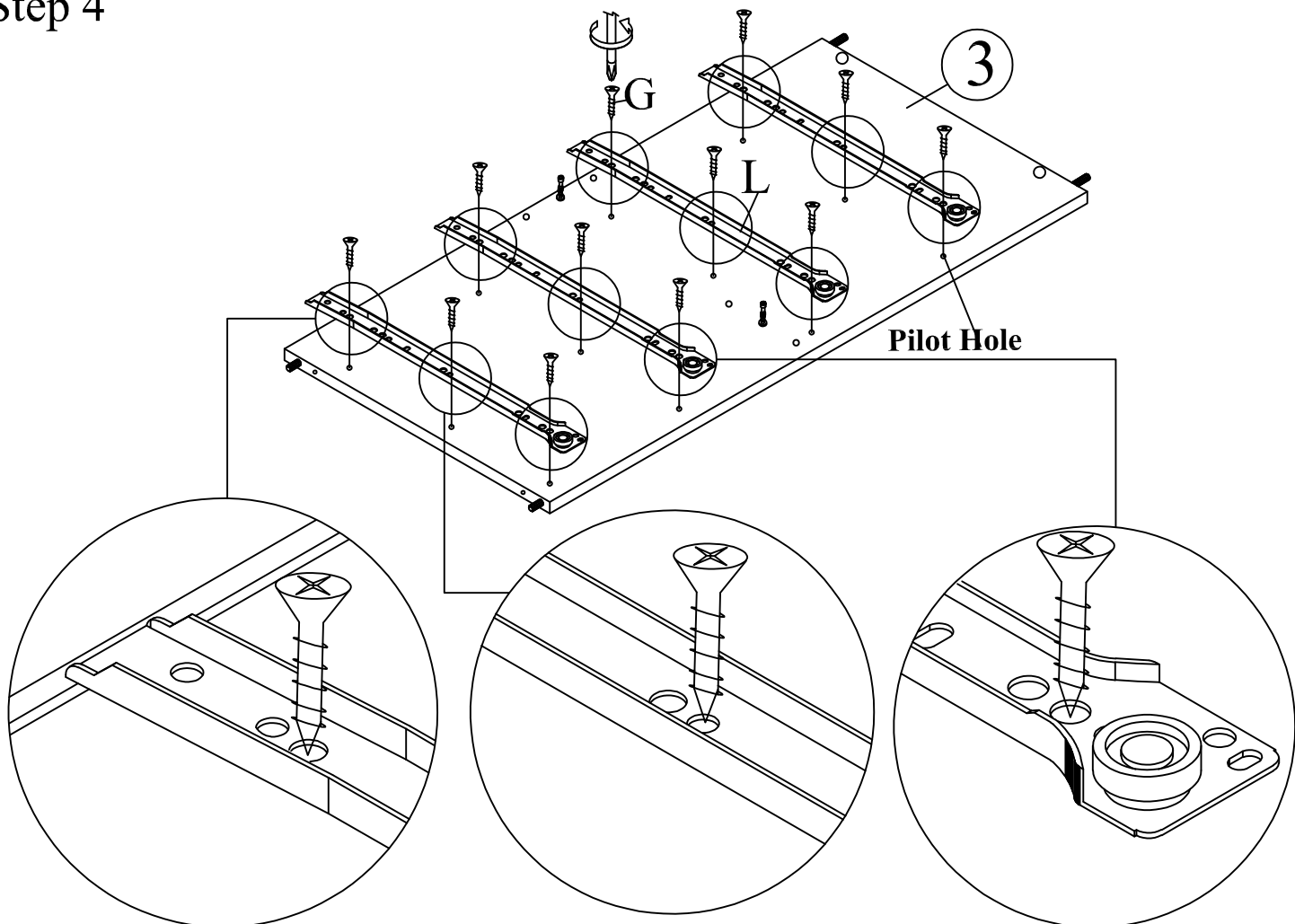
Step 2



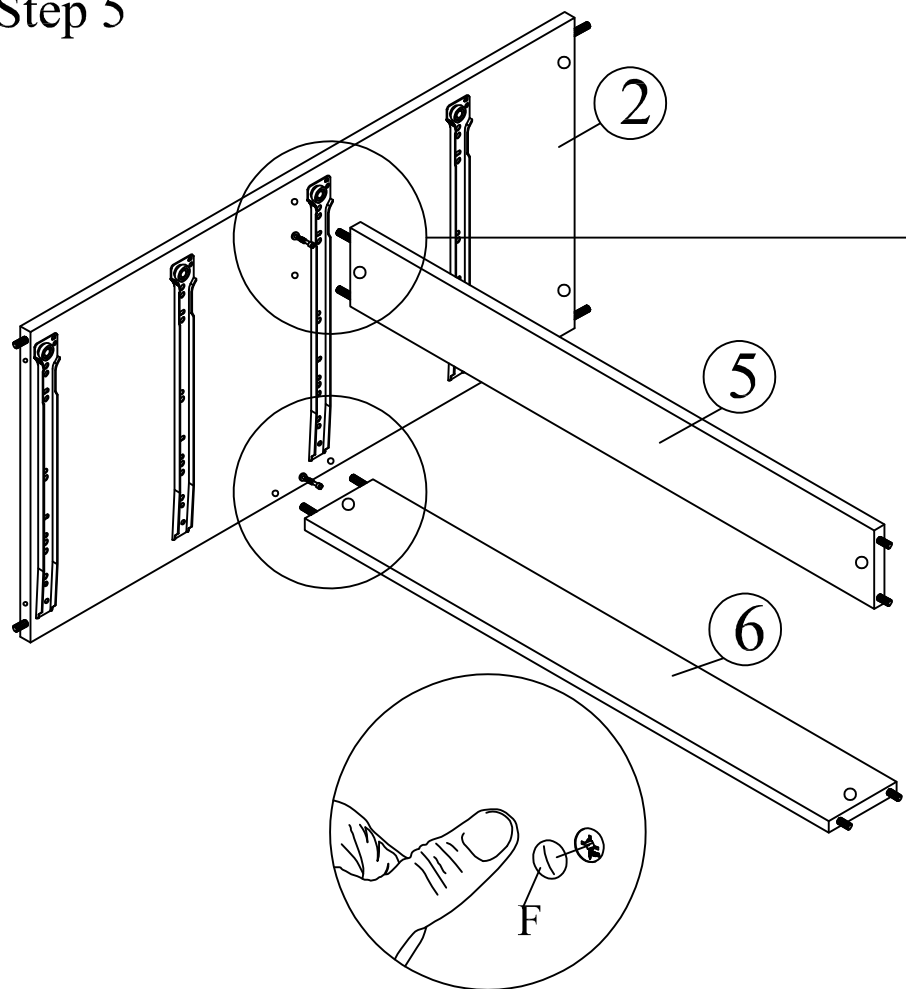
Step 3



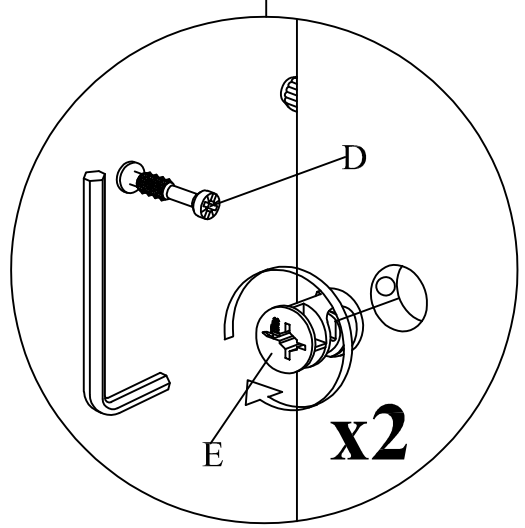
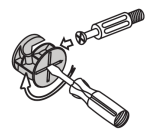
Step 4



Step 5

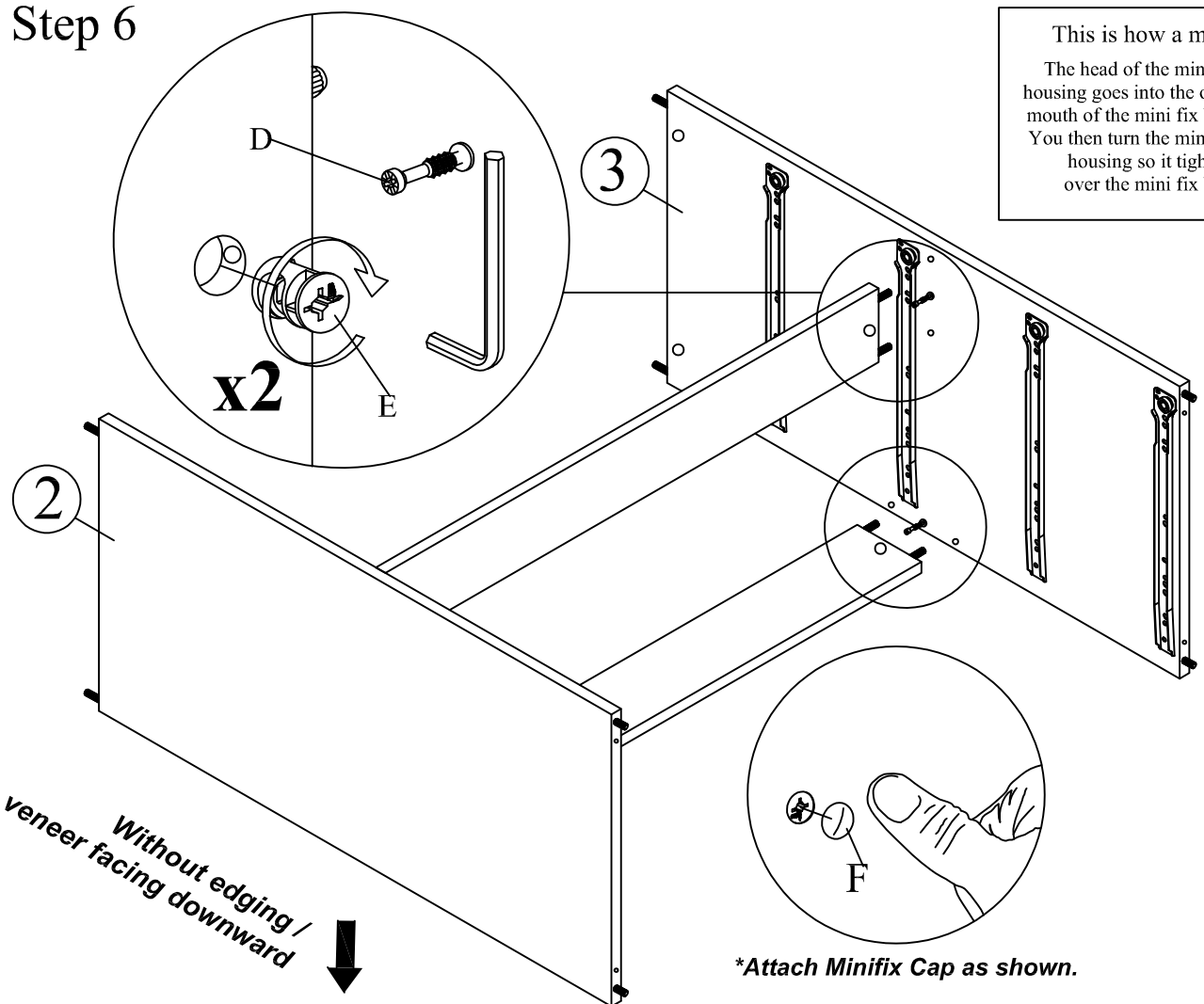


This is how a mini fix works...
The head of the mini fix housing goes into the open mouth of the mini fix bolt. You then turn the mini fix housing so it tightens over the mini fix bolt.

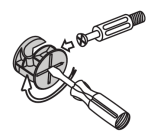


**Attach Minifix Cap as shown.*

Step 6



This is how a mini fix works...
The head of the mini fix housing goes into the open mouth of the mini fix bolt. You then turn the mini fix housing so it tightens over the mini fix bolt.

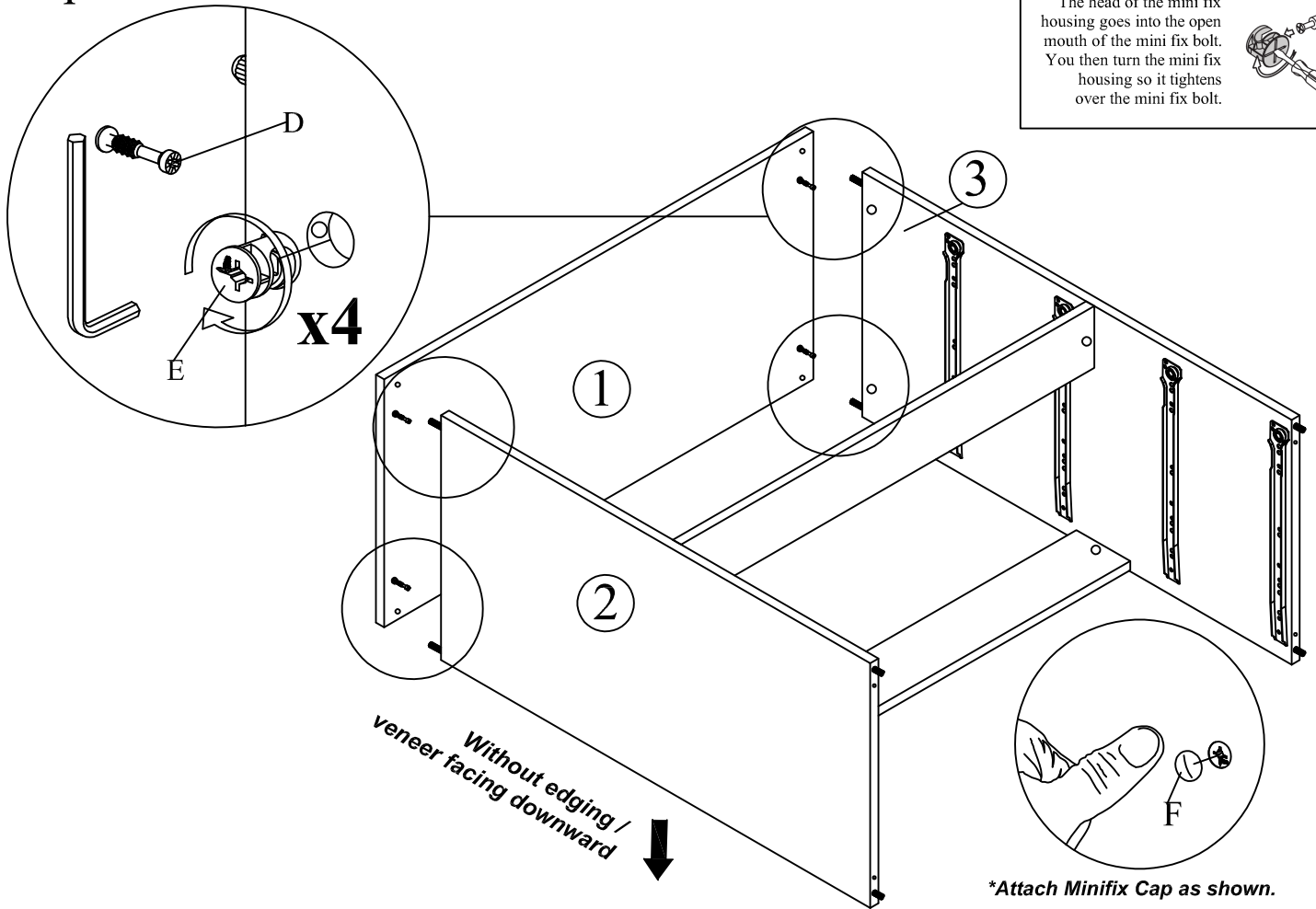
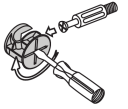


Without edging / veneer facing downward ↓

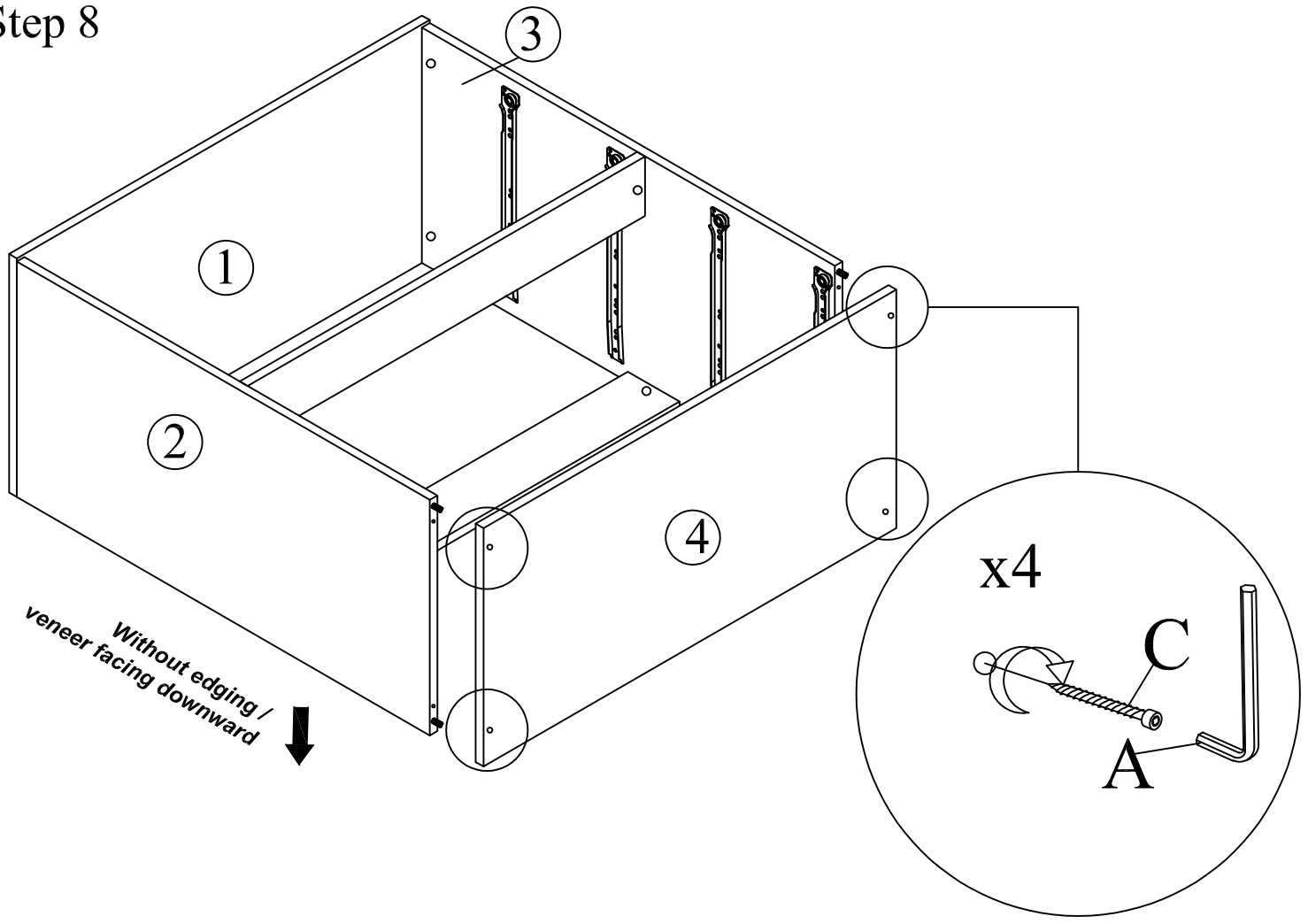
**Attach Minifix Cap as shown.*

Step 7

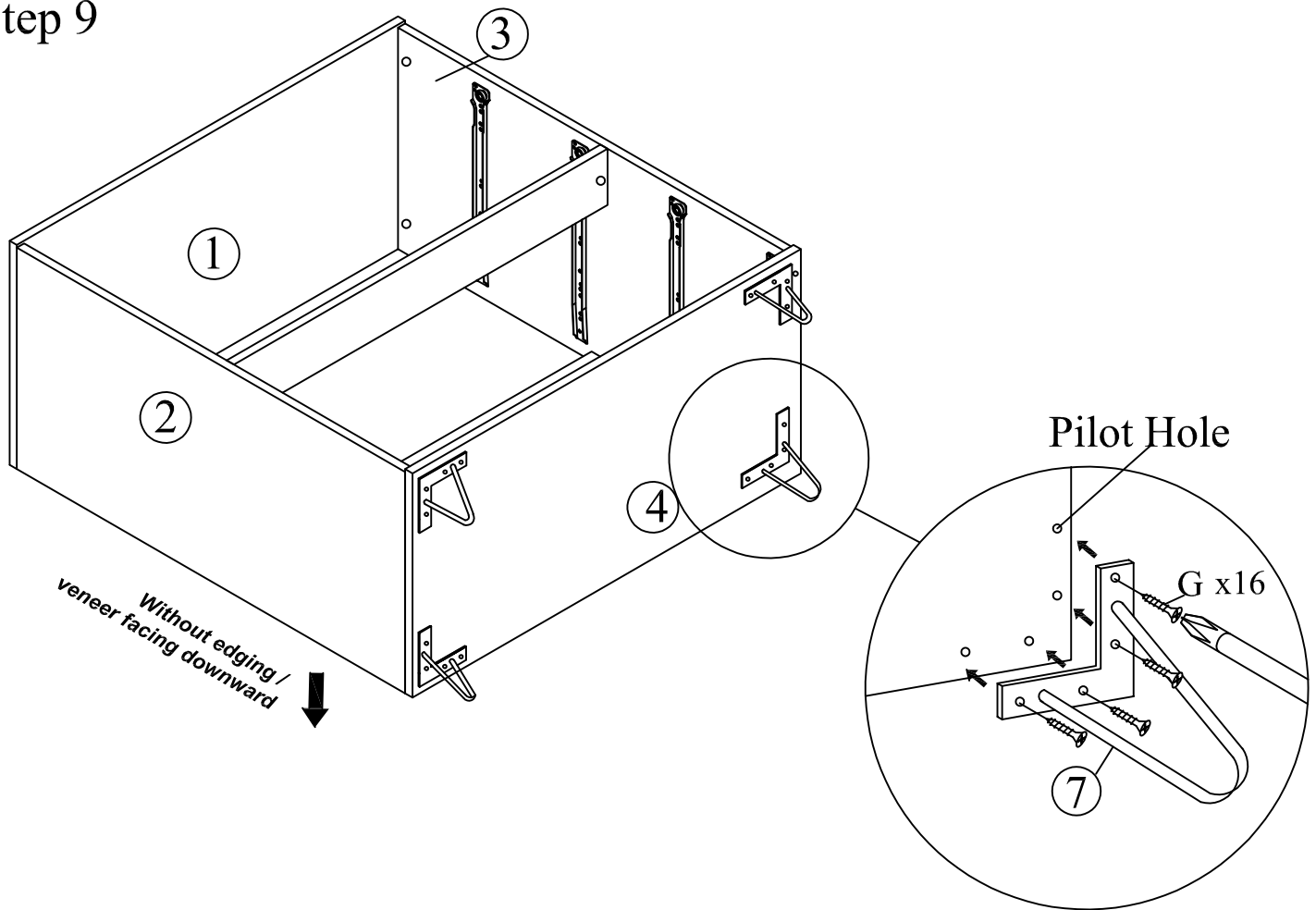
This is how a mini fix works...
The head of the mini fix housing goes into the open mouth of the mini fix bolt. You then turn the mini fix housing so it tightens over the mini fix bolt.



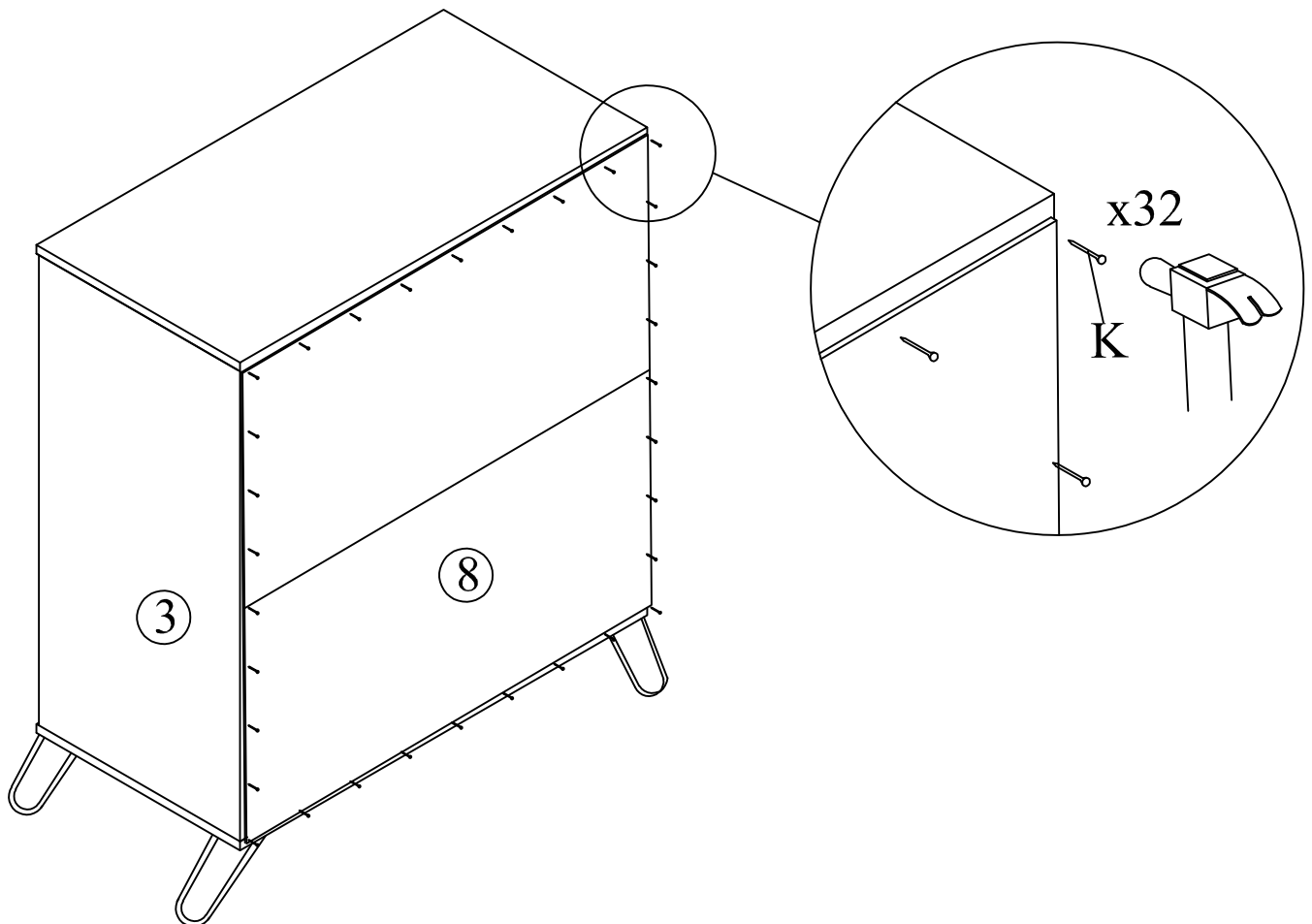
Step 8



Step 9



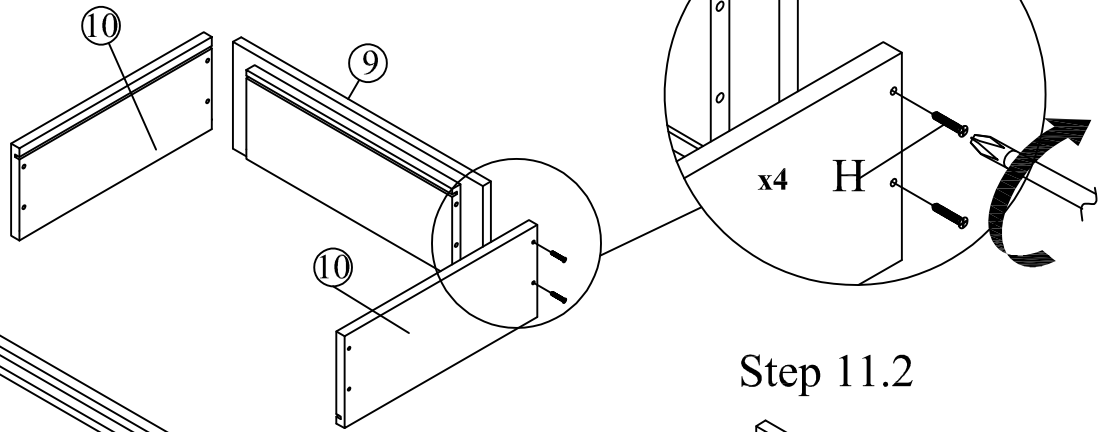
Step 10



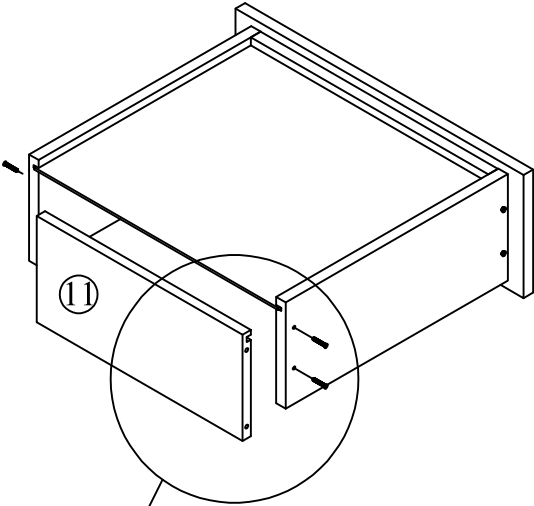
Step 11

x4

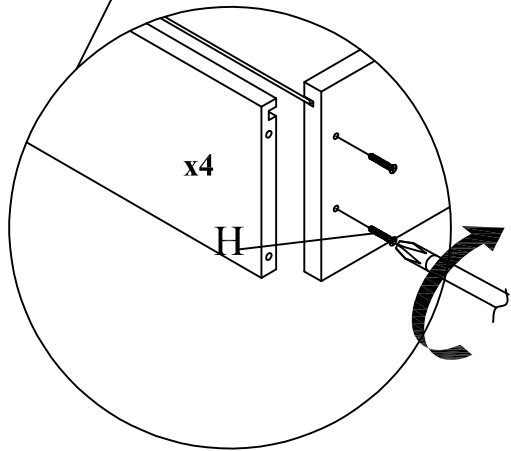
Step 11.1



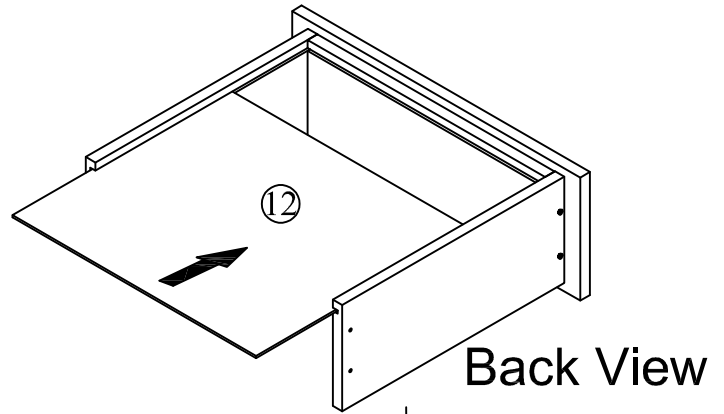
Step 11.3



Back View



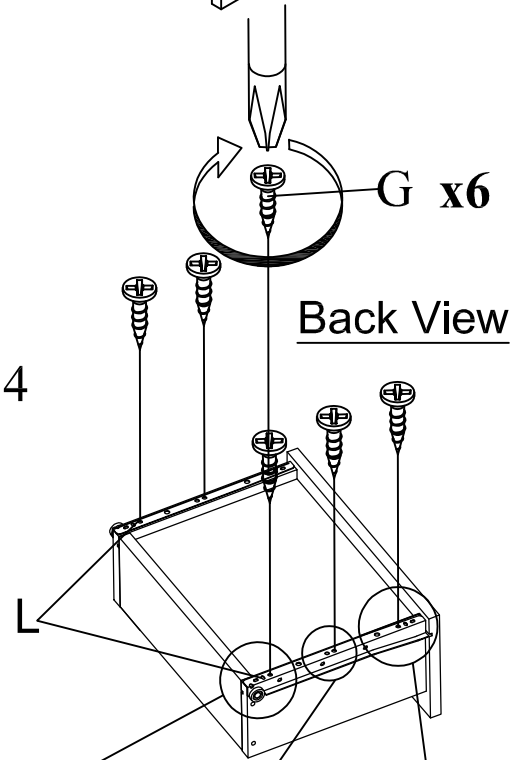
Step 11.2



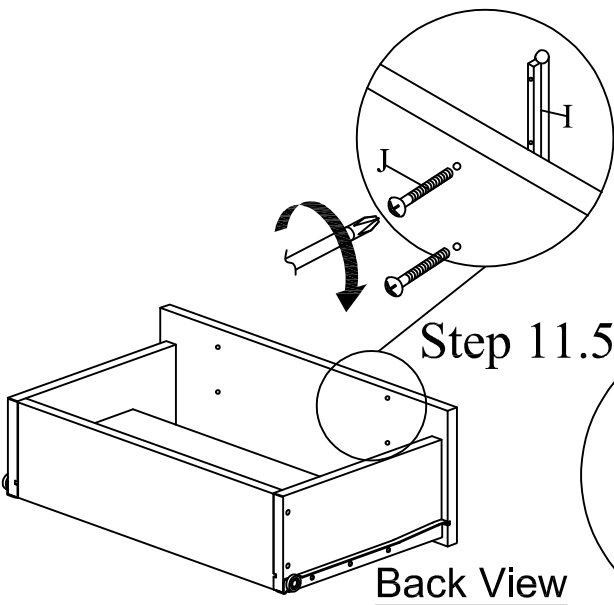
Back View

Back View

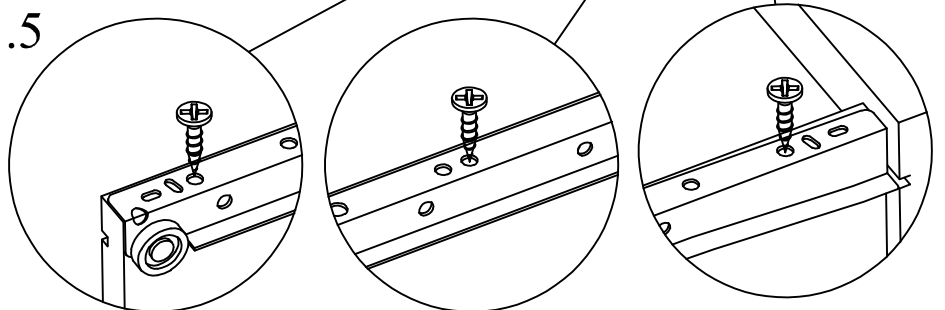
Step 11.4



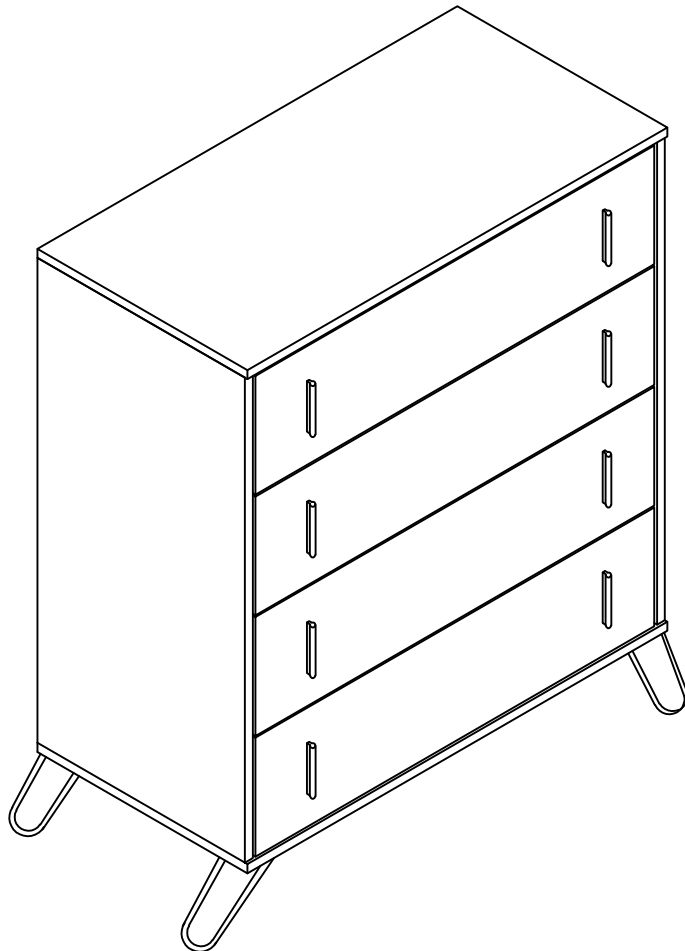
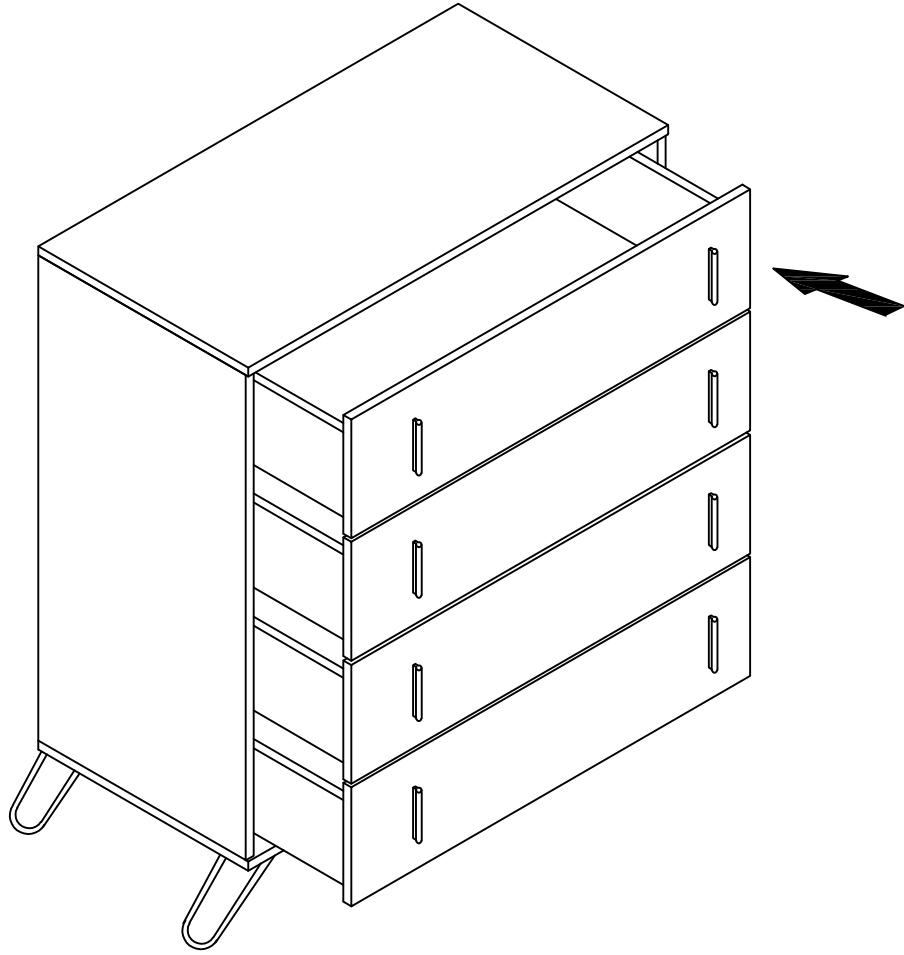
Step 11.5



Back View



Step 12



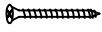
Anti -
Tipping

(A)



CSK Screw
M3.5x16mm
1PC

(B)



CSK Screw
M4x50mm
1PC

(C)

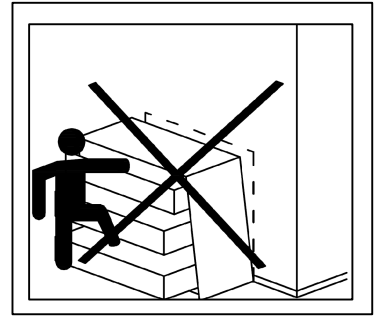
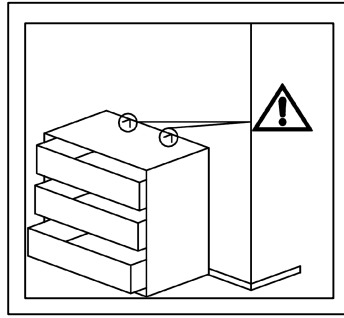


L BRACKET
2PCS

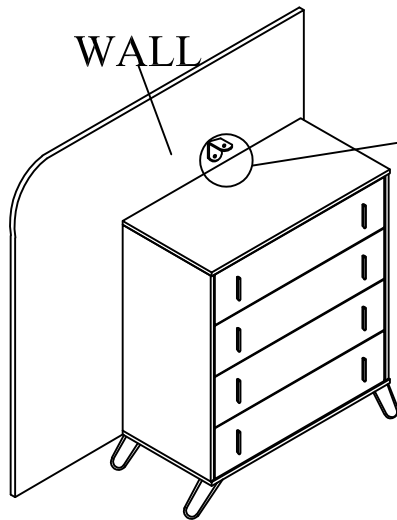
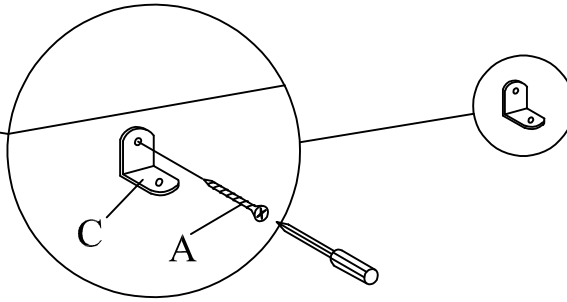
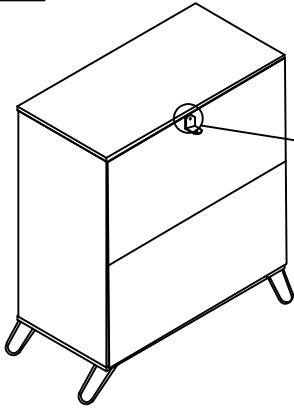
(D)



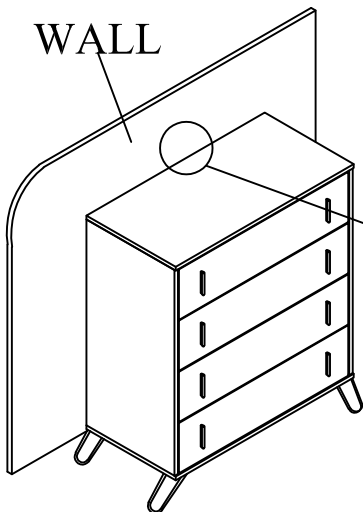
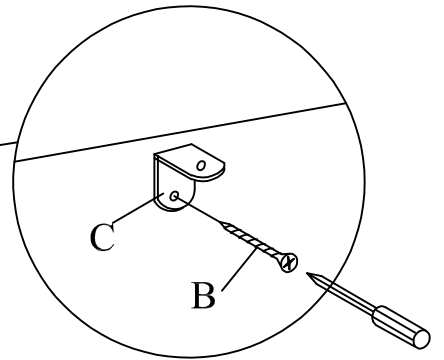
CABLE TIE
1PC



BACK VIEW



WALL



WALL

