



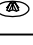
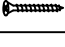

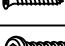



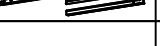
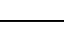


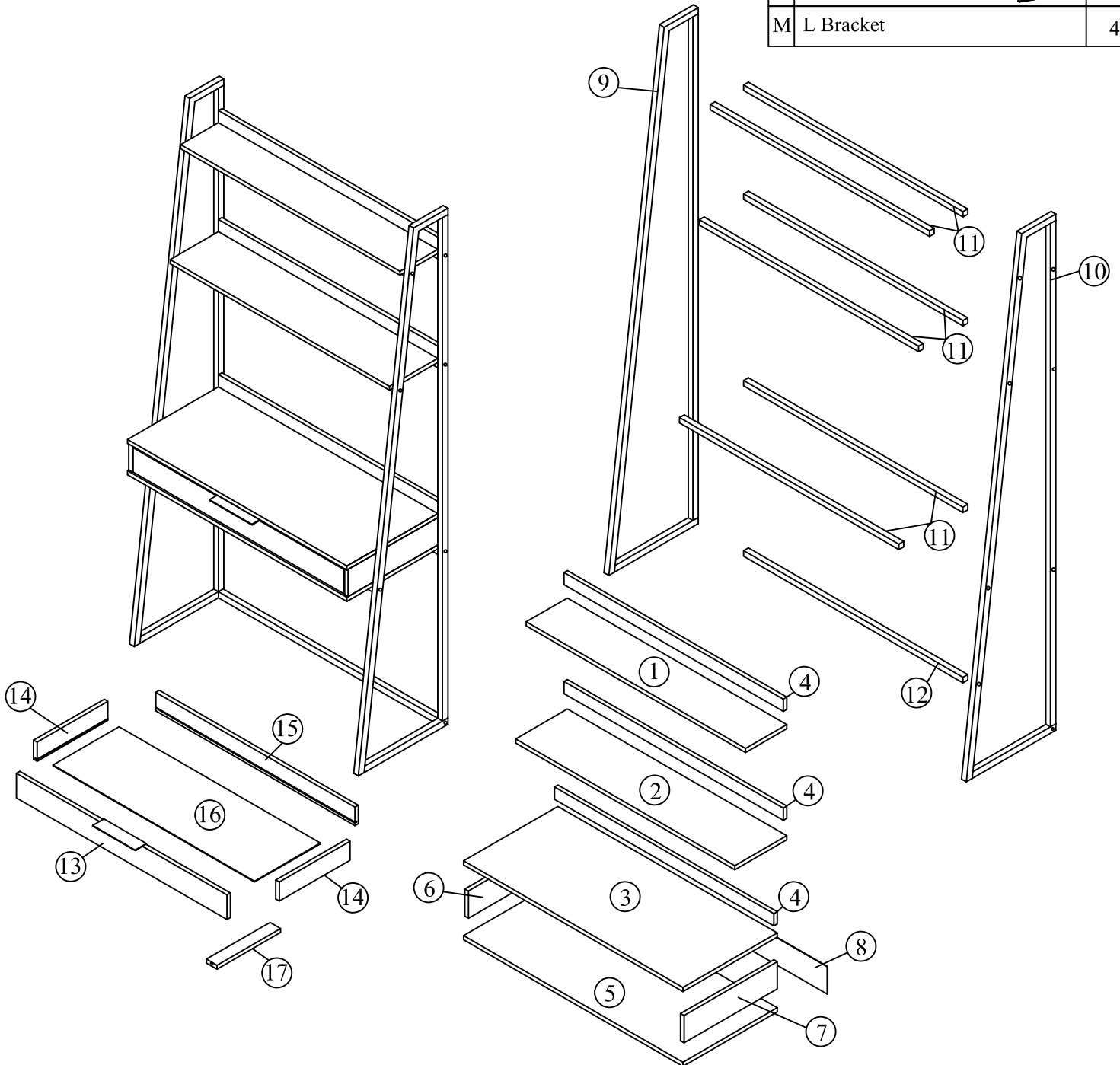
# Assembly Instructions

Model: ST 8003

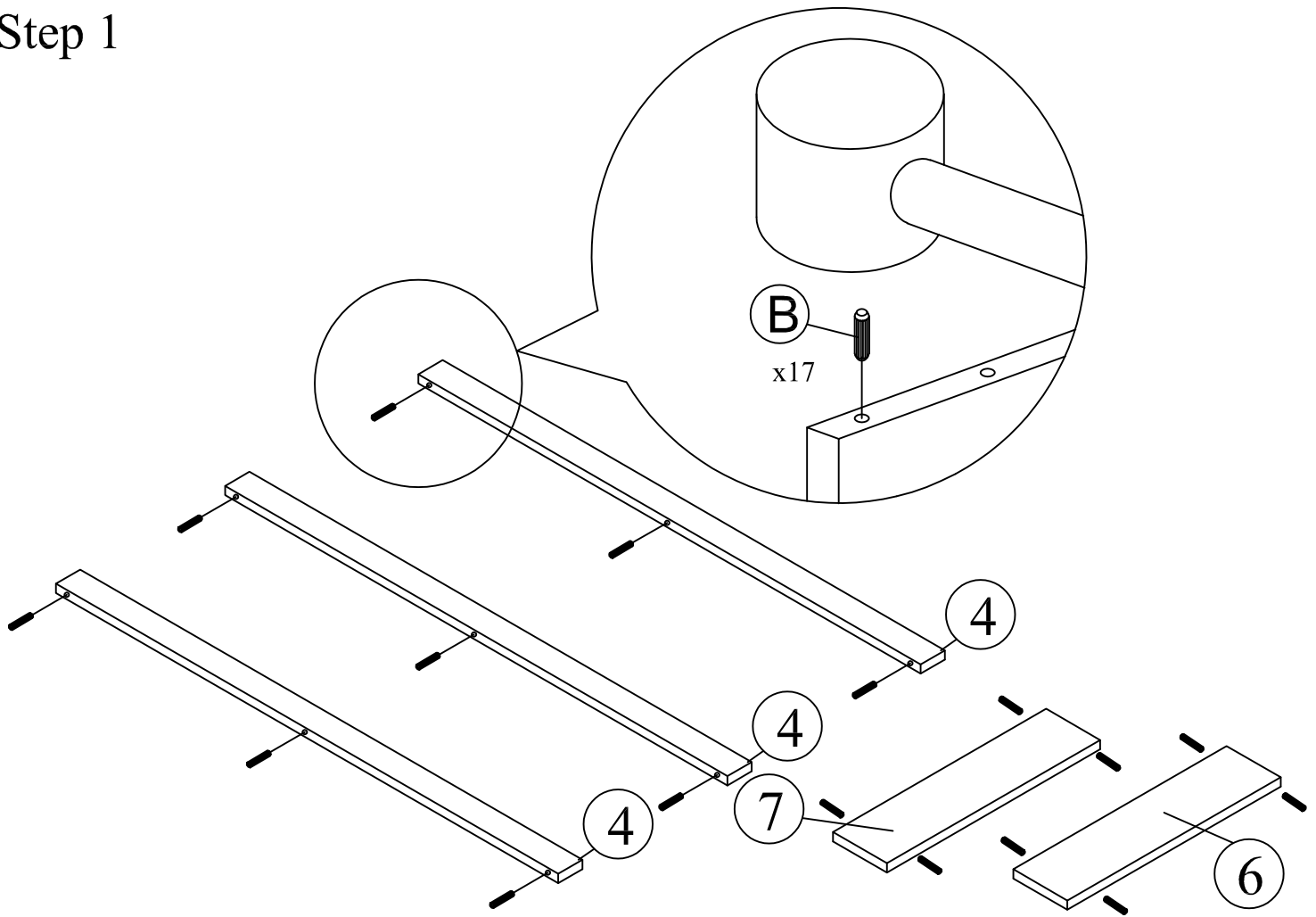
Part List		QTY
1	Top Rack	1
2	Middle Rack	1
3	Top Panel	1
4	Plinth Panel	3
5	Bottom Panel	1
6	Side Panel (L)	1
7	Side Panel (R)	1
8	Back Panel	1
9	Metal Frame Leg (L)	1

Part List		QTY
10	Metal Frame Leg (R)	1
11	Metal Support Legs	6
12	Metal Bottom Leg	1
13	Drawer Front Panel	1
14	Drawer Side Panel	2
15	Drawer Back Panel	1
16	Drawer Bottom Panel	1
17	Drawer Support Bar	1

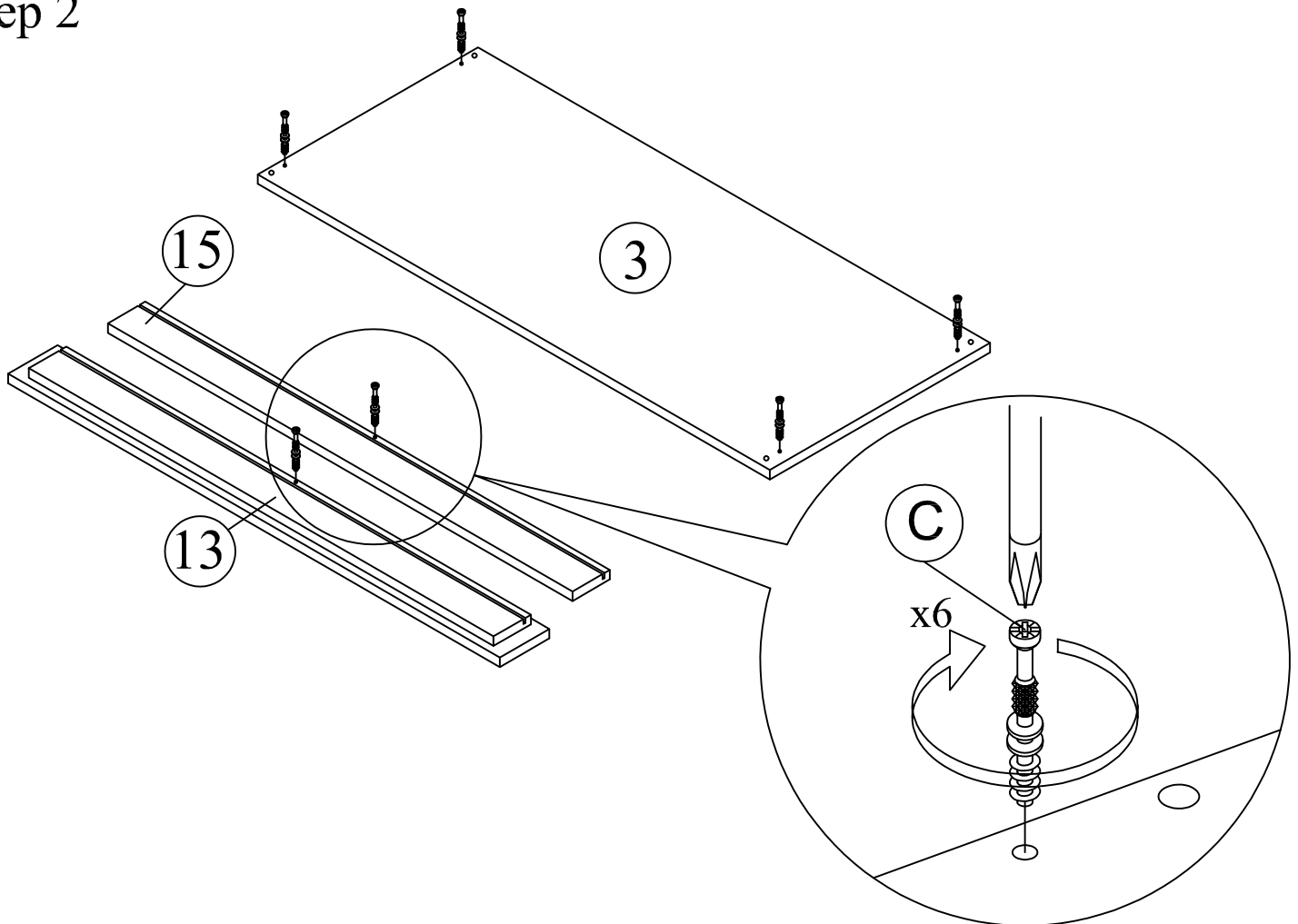
Hardware		QTY
A	Allen Key M4 	1
B	Plastic Dowel 	17
C	Mini Fix Bolt 	6
D	Mini Fix Housing 	6
E	Mini Fix Cap 	6
F	CSK Screw M3.5x16mm 	22
G	CSK Screw M4x50mm 	17
H	CSK Screw M4x32mm 	18
I	JCBC W Screw M6x40 	4
J	JCBC Screw M6 X 50 Spring + Flat Washer 	14
K	L Bar Handle 	1
L	14" Drawer Slide 	1
M	L Bracket 	4



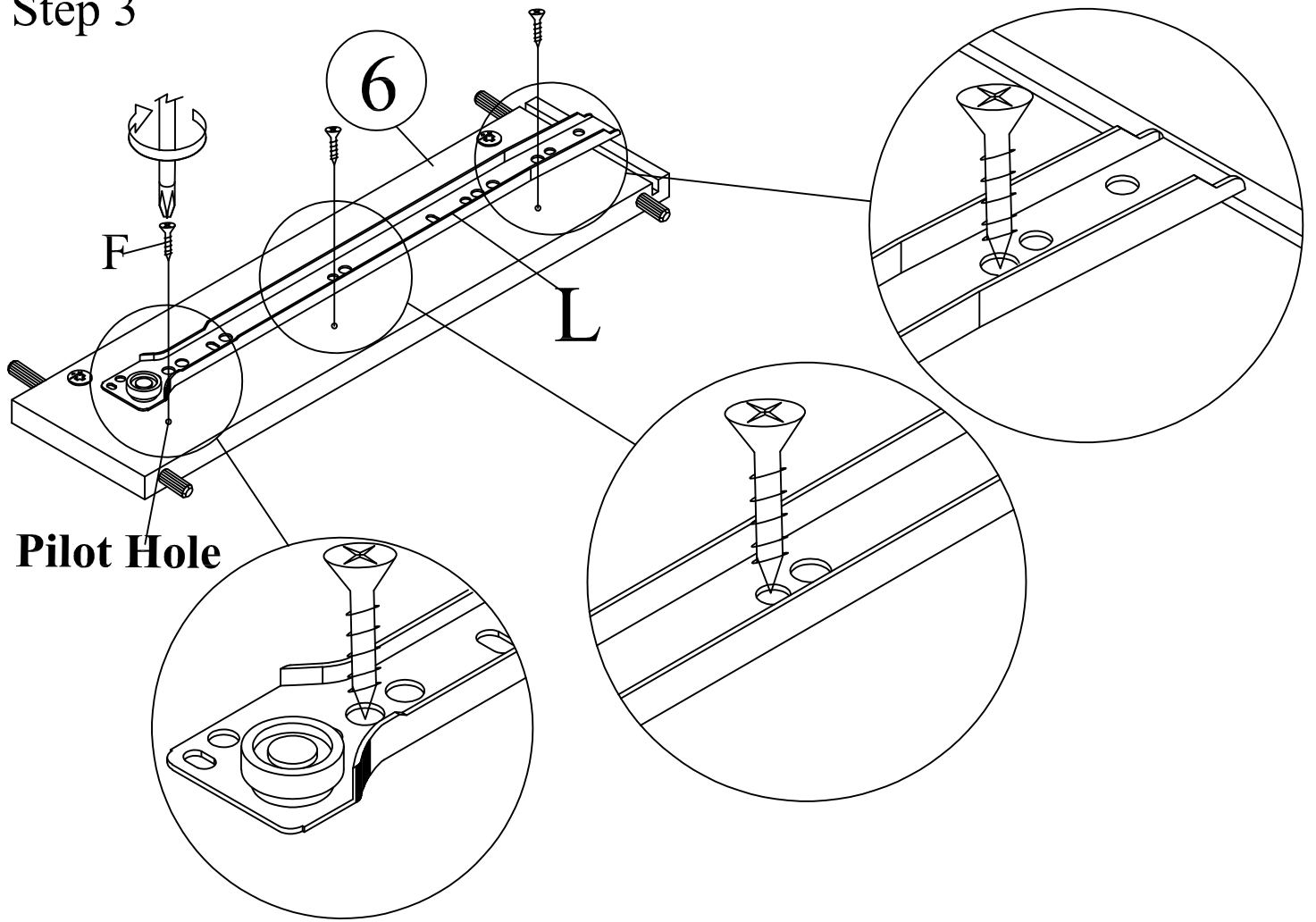
# Step 1



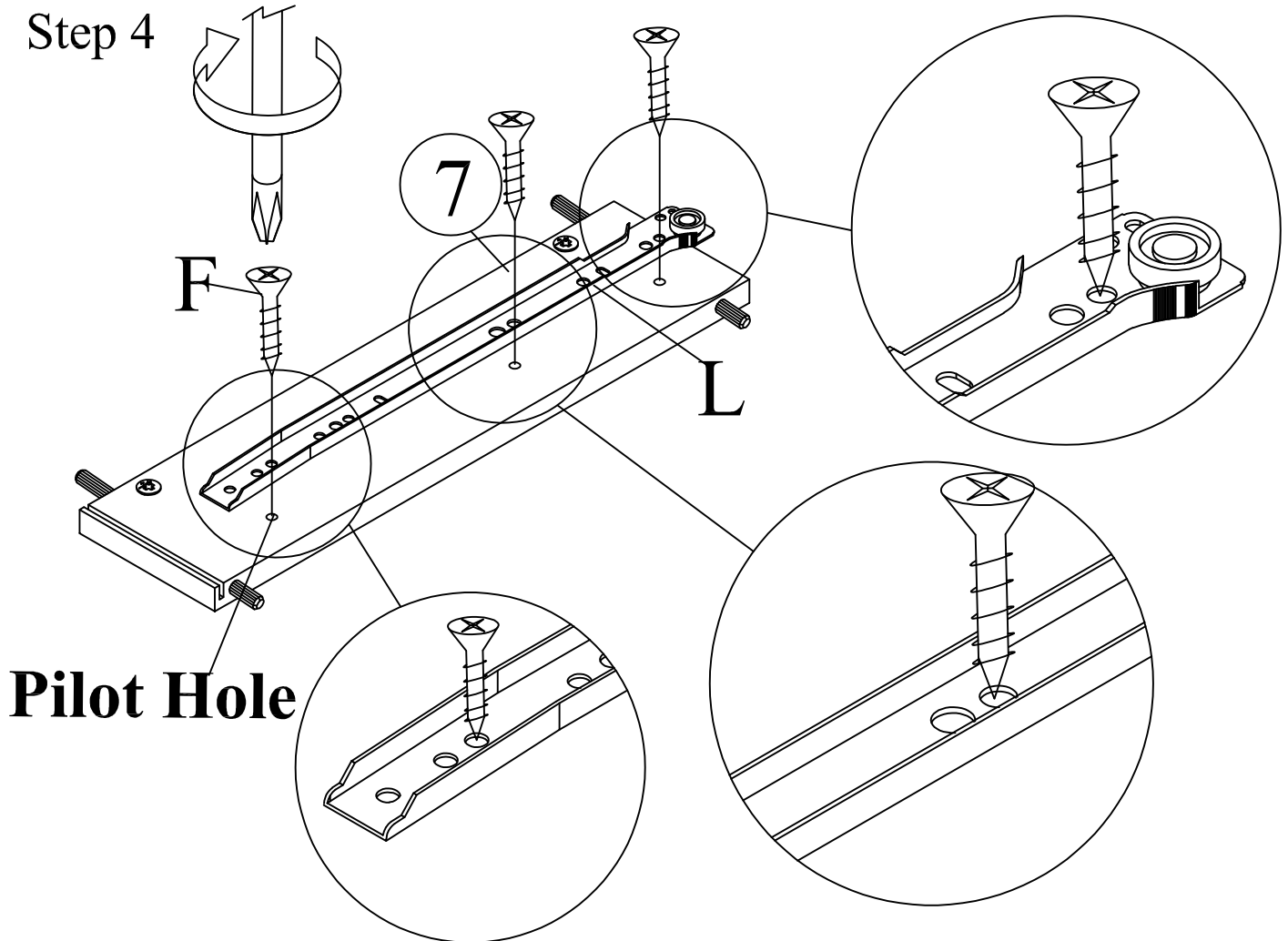
# Step 2



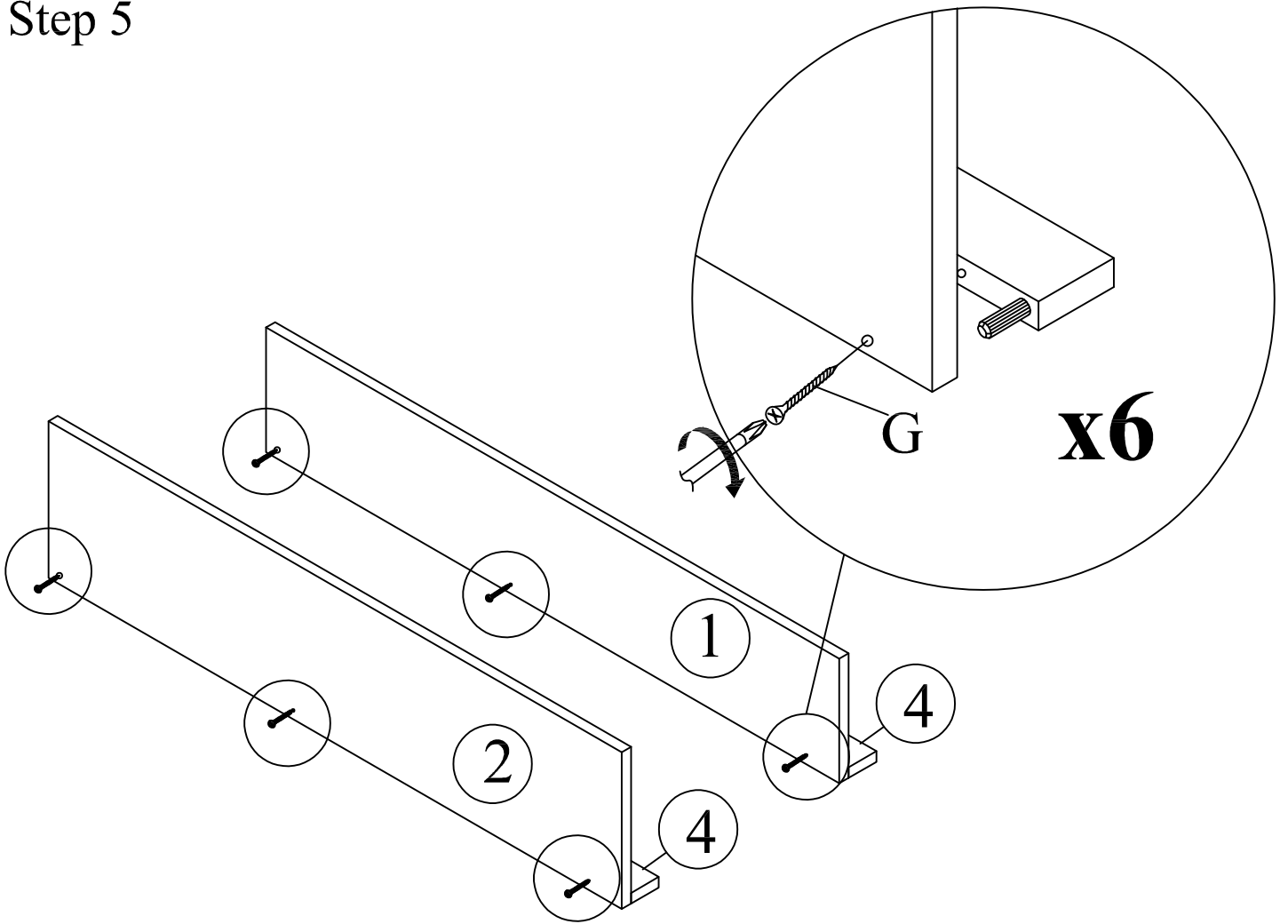
### Step 3



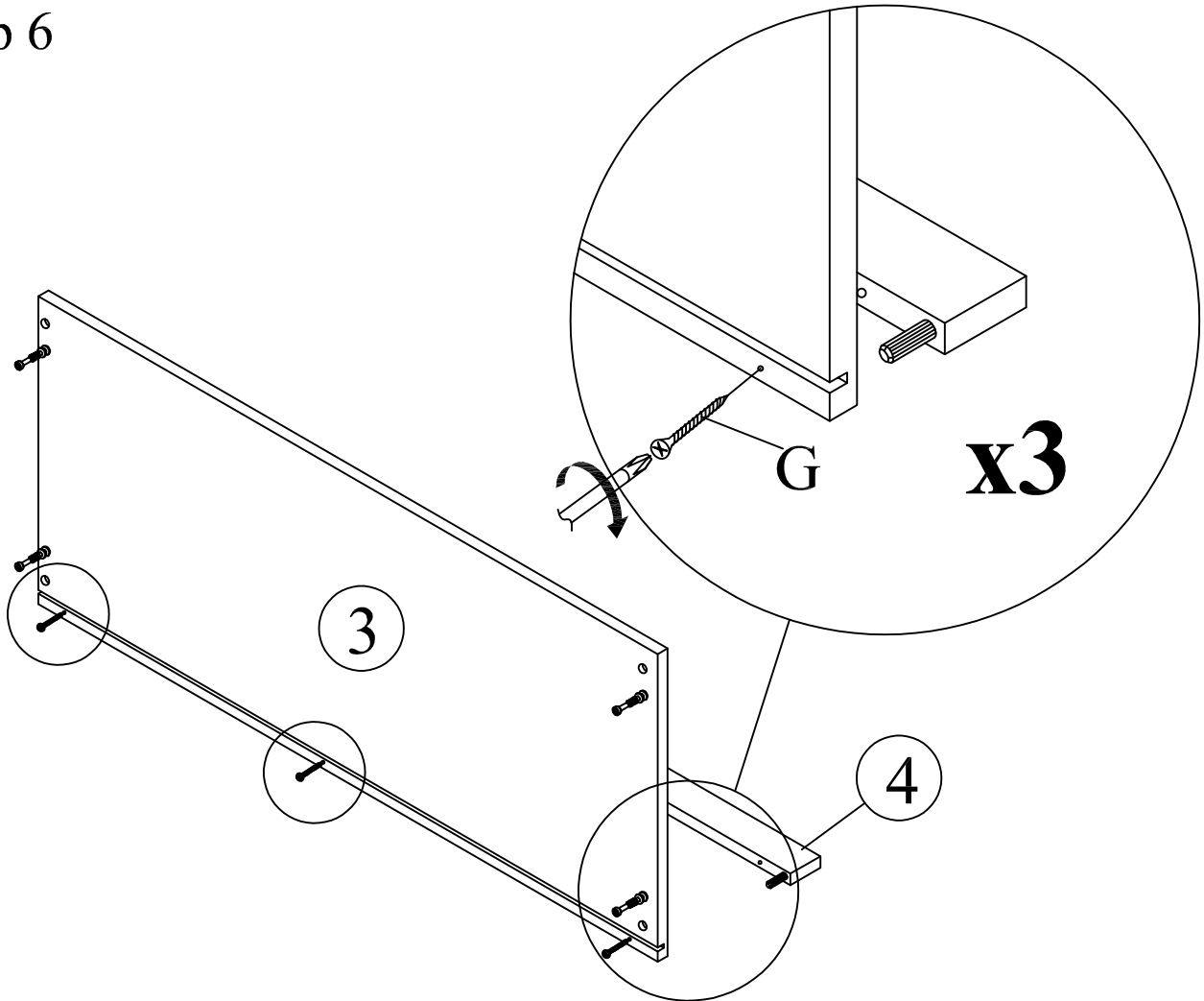
### Step 4



# Step 5

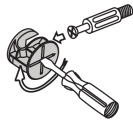


# Step 6

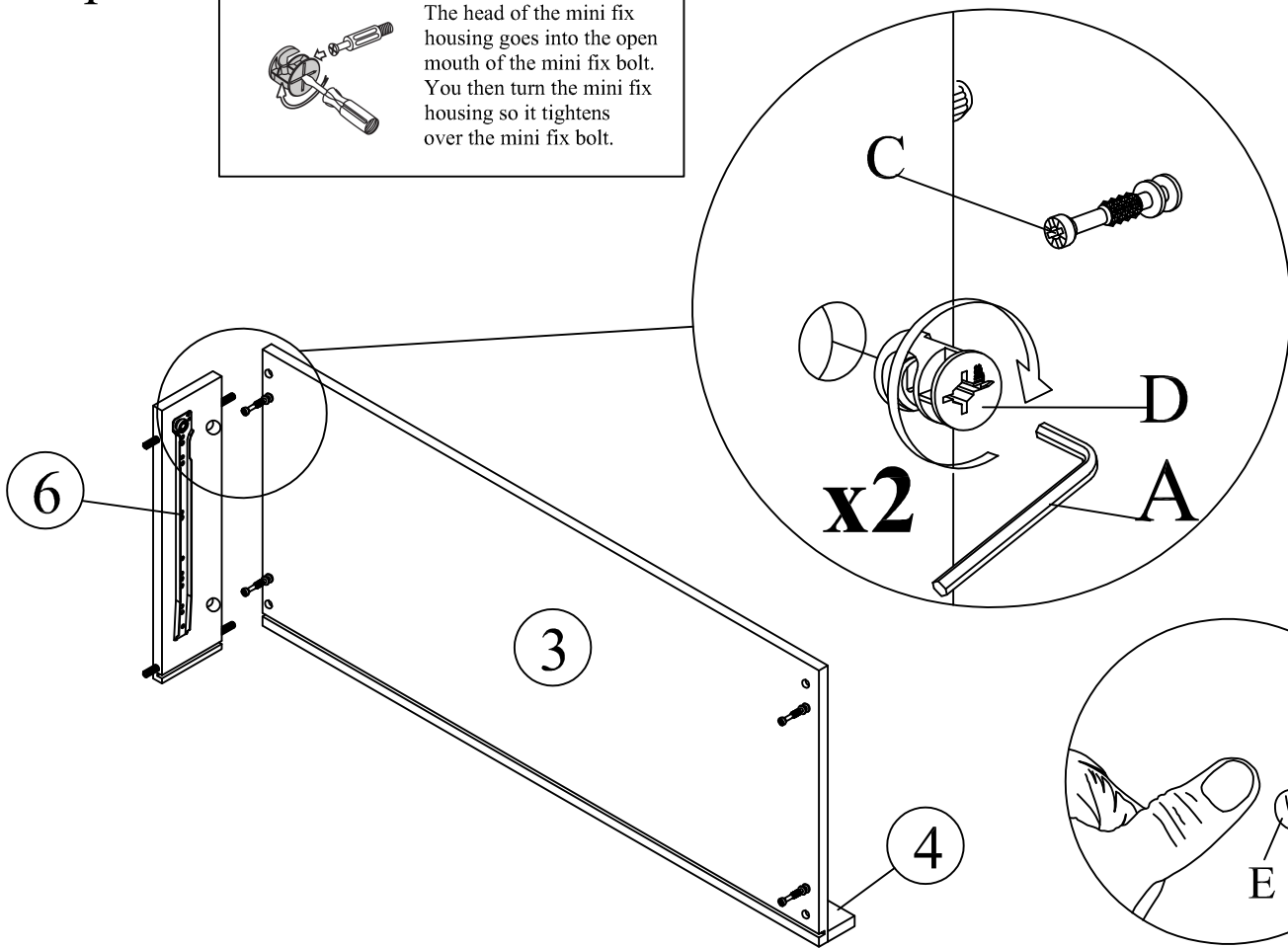


# Step 7

This is how a mini fix works...



The head of the mini fix housing goes into the open mouth of the mini fix bolt. You then turn the mini fix housing so it tightens over the mini fix bolt.

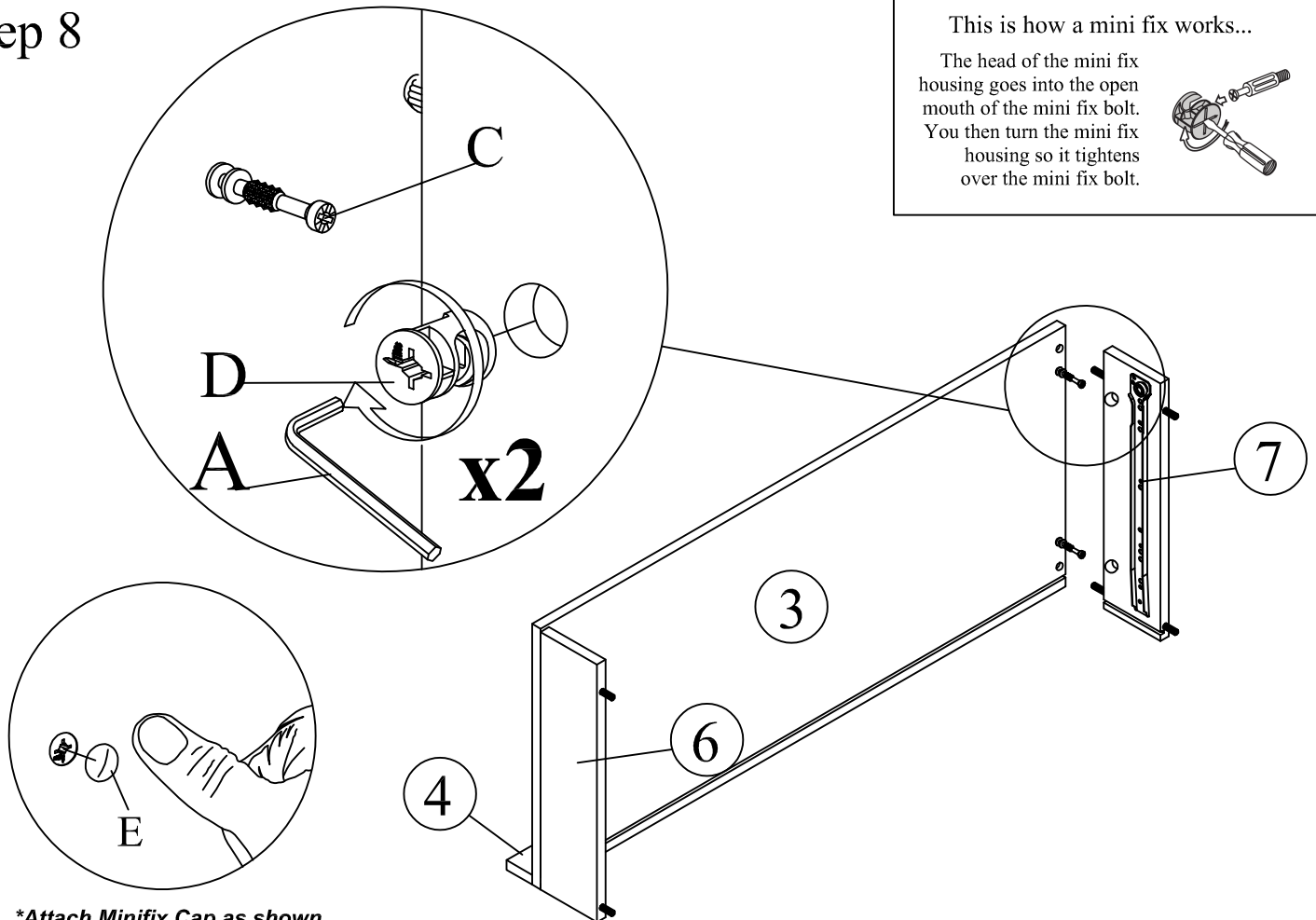


*\*Attach Minifix Cap as shown.*

# Step 8

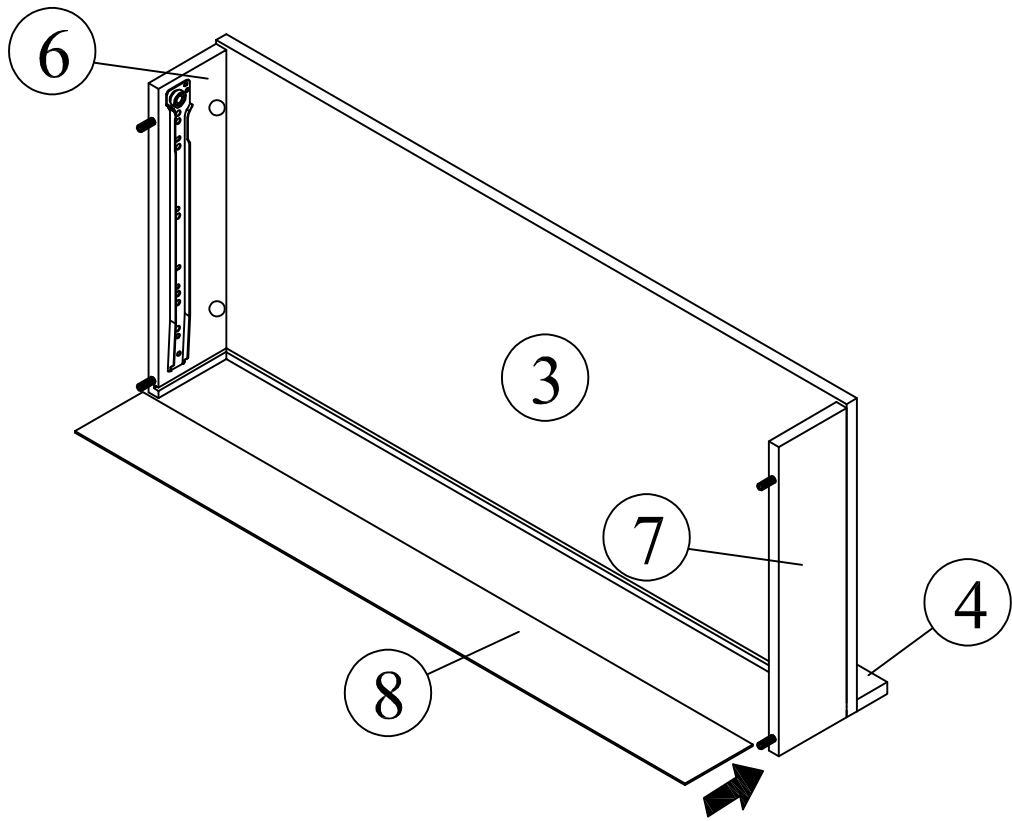
This is how a mini fix works...

The head of the mini fix housing goes into the open mouth of the mini fix bolt. You then turn the mini fix housing so it tightens over the mini fix bolt.

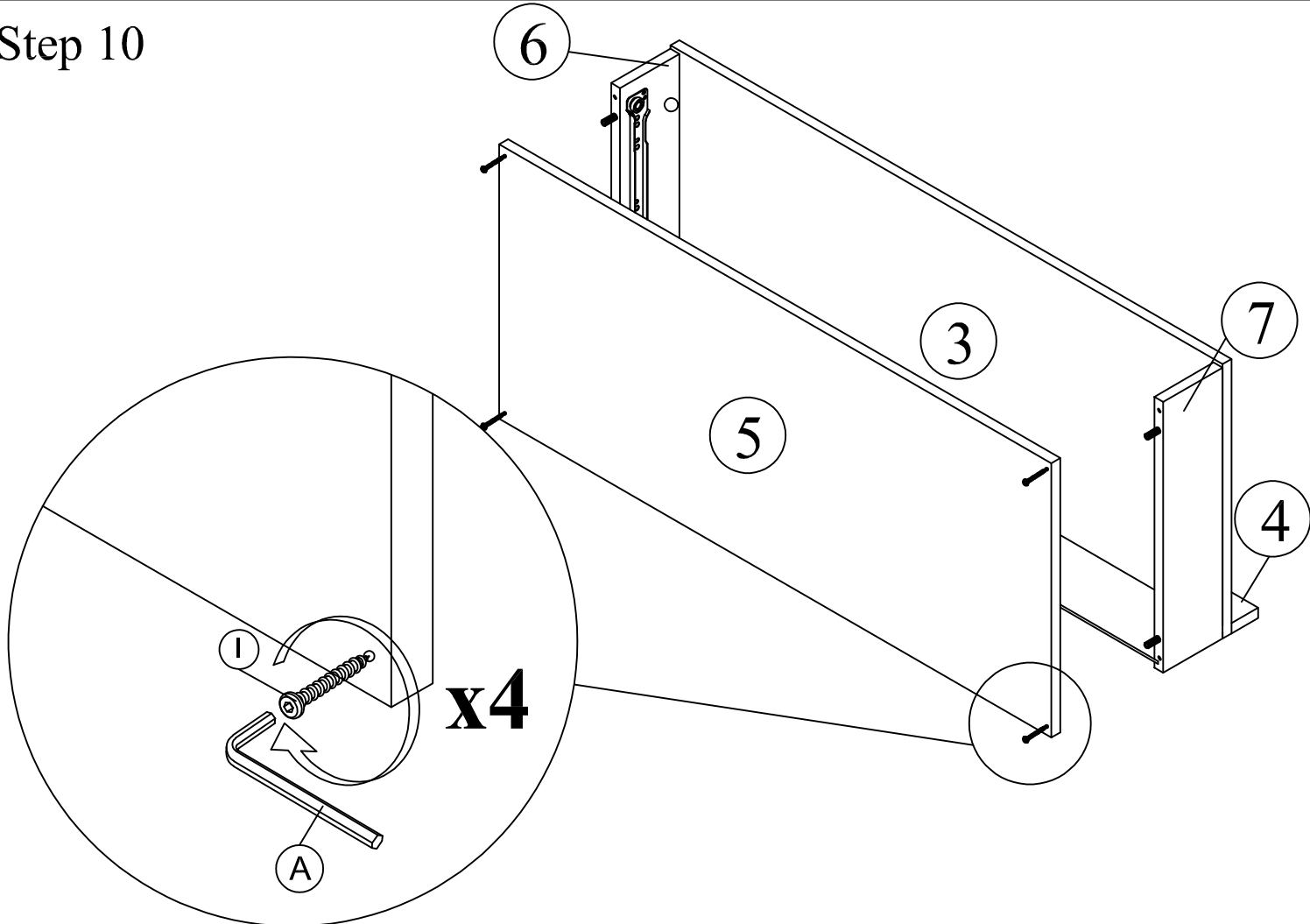


*\*Attach Minifix Cap as shown.*

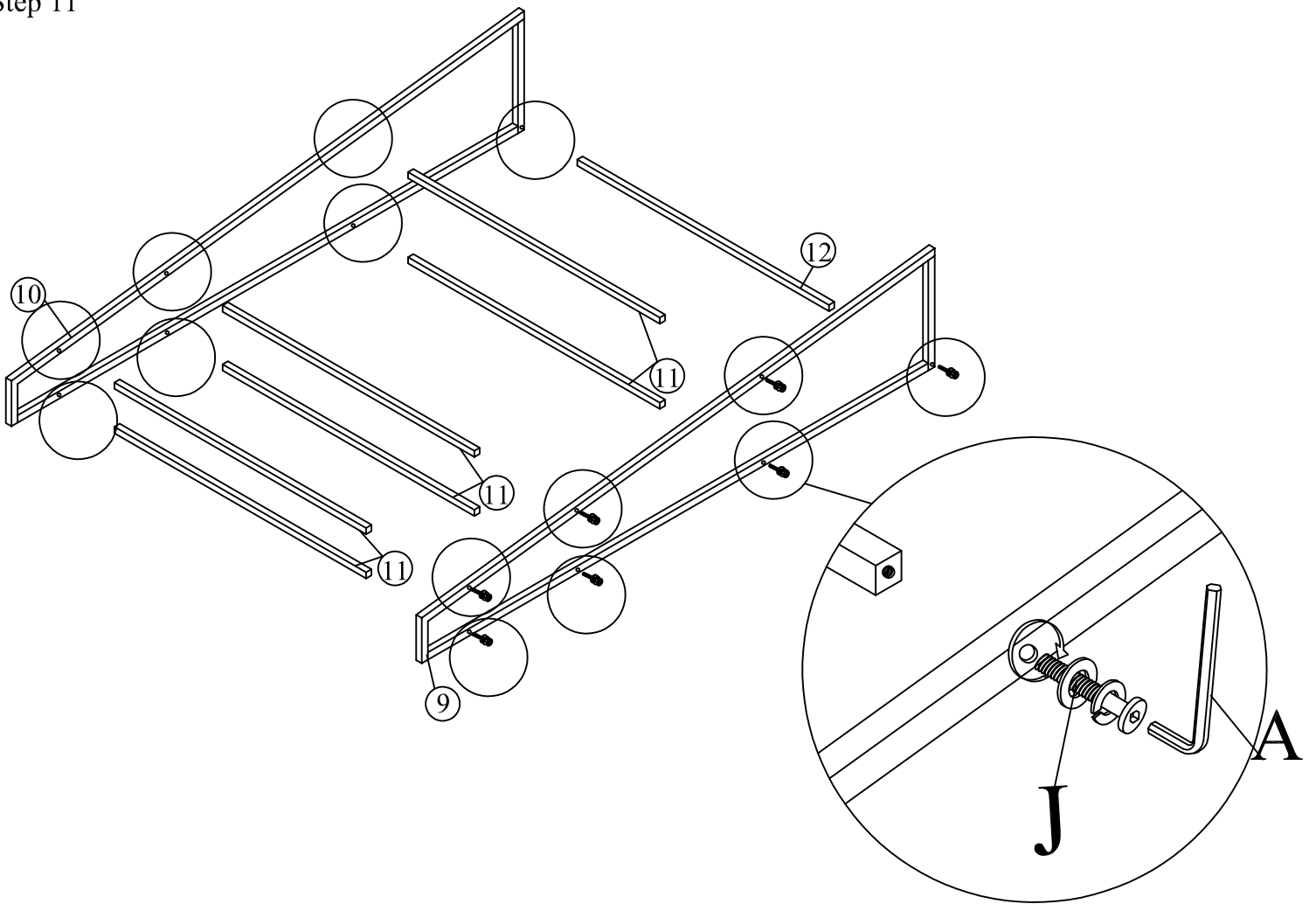
# Step 9



# Step 10

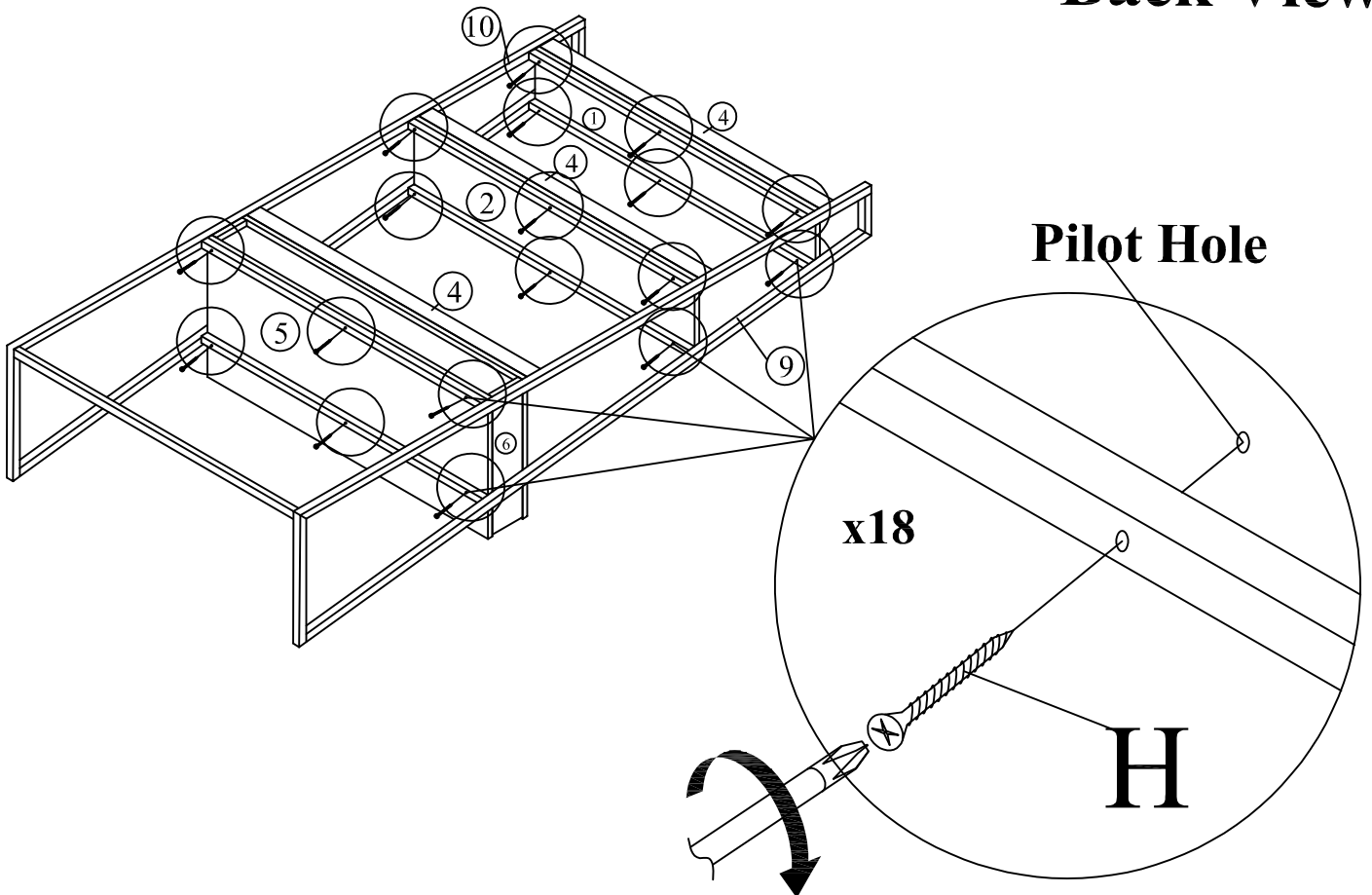


Step 11



Step 12

**Back View**



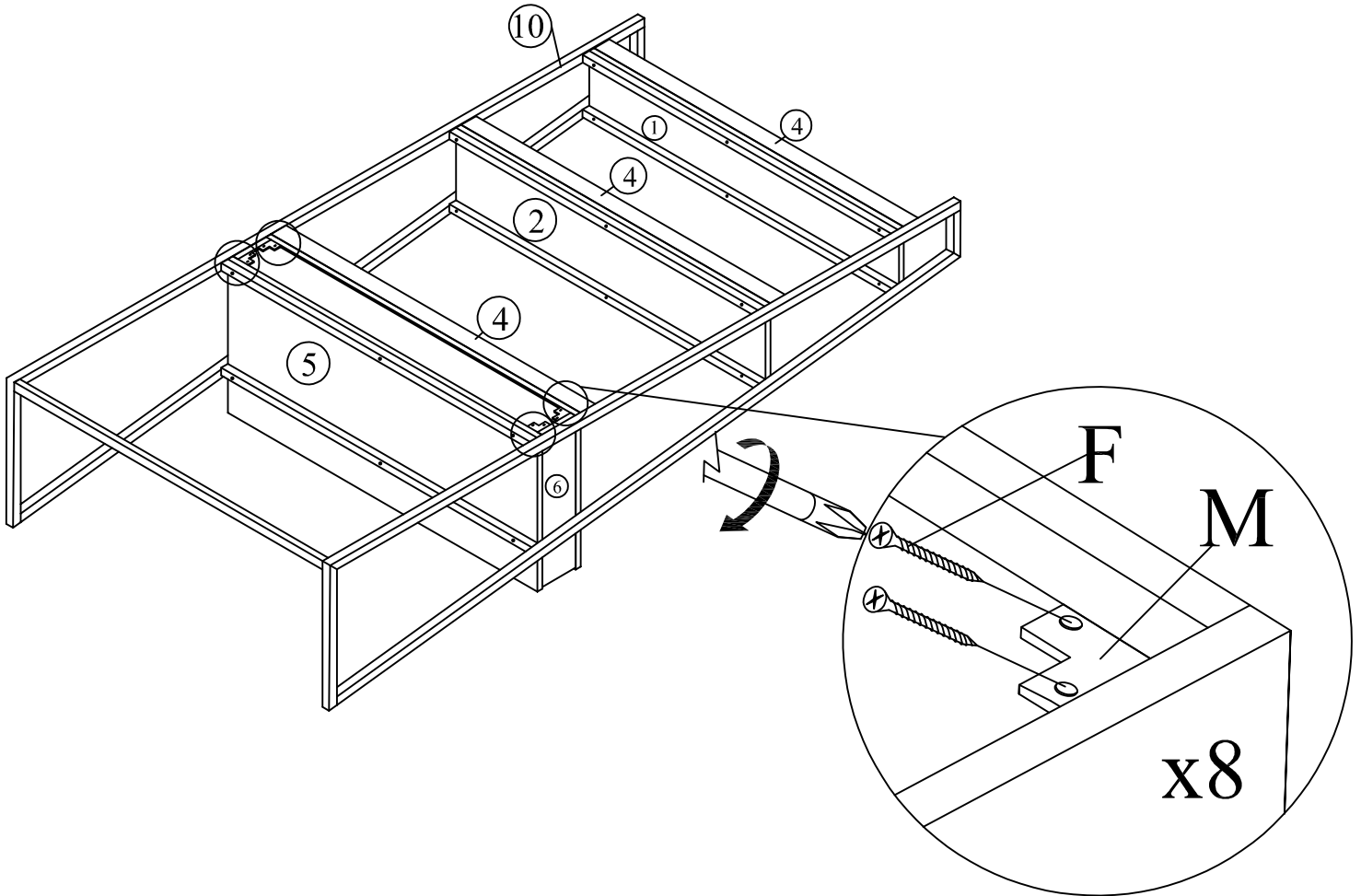
**Pilot Hole**

x18

H

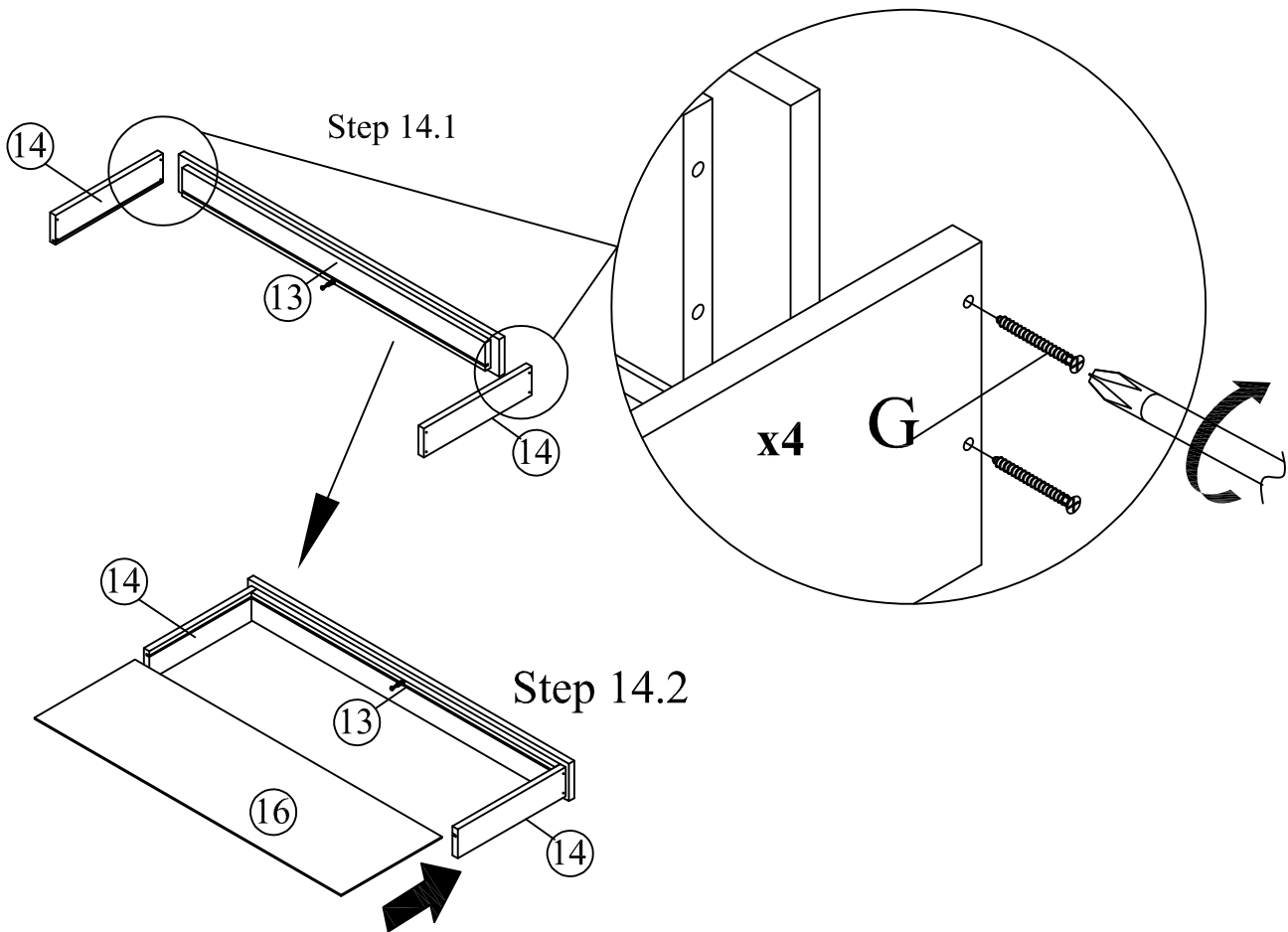
Step 13

# Back View



Step 14

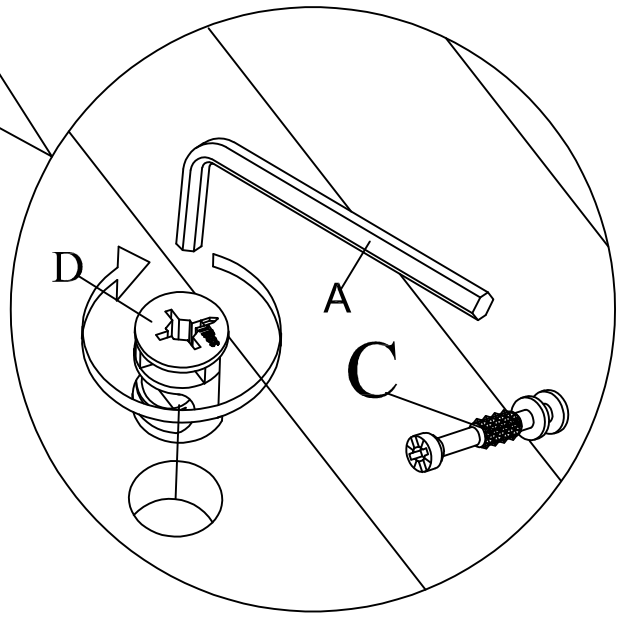
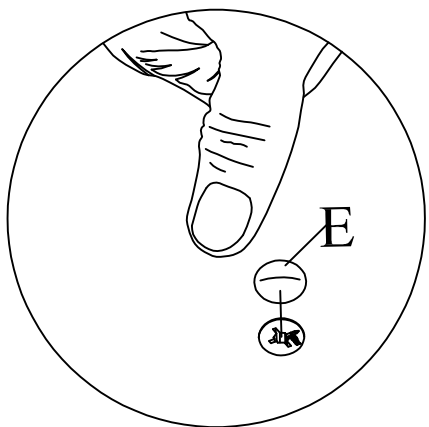
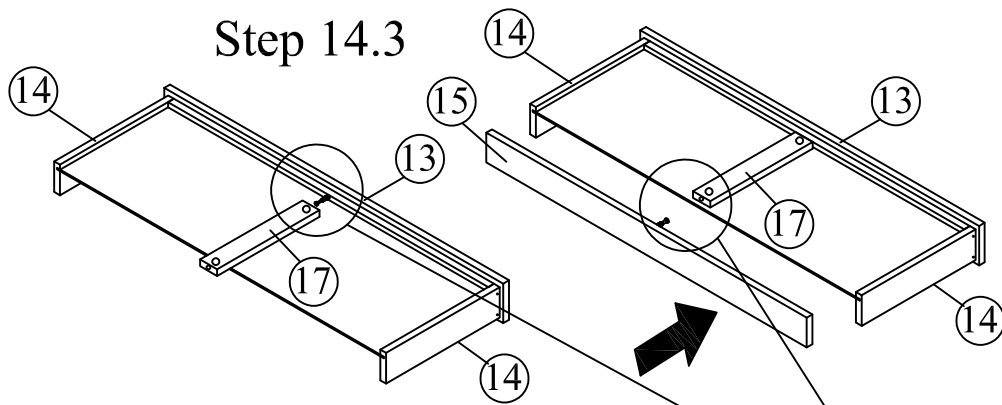
# Back View





This is how a mini fix works...  
 The head of the mini fix housing goes into the open mouth of the mini fix bolt. You then turn the mini fix housing so it tightens over the mini fix bolt.

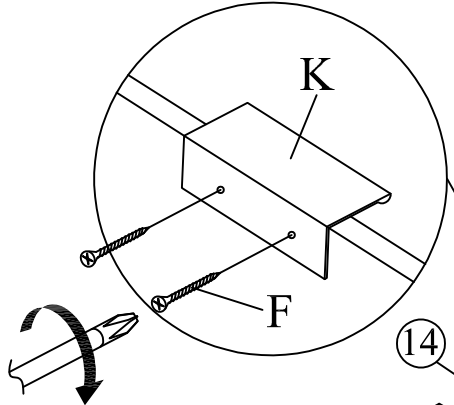
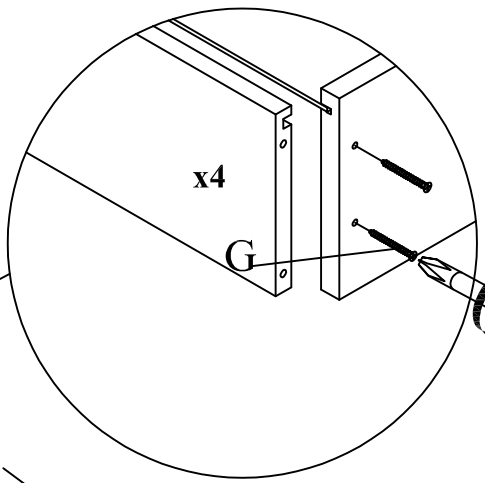
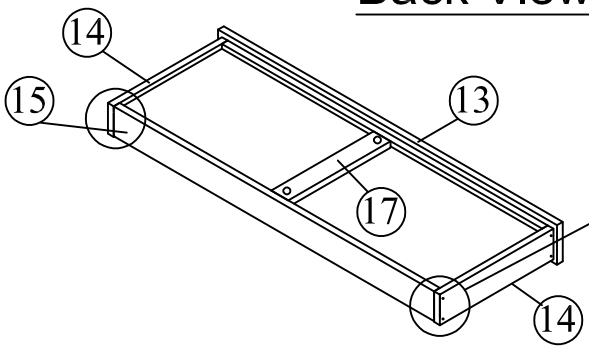
Step 14.3



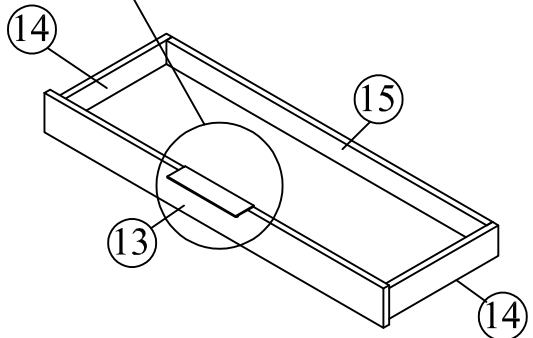
*\*Attach Minifix Cap as shown.*

Step 14.4

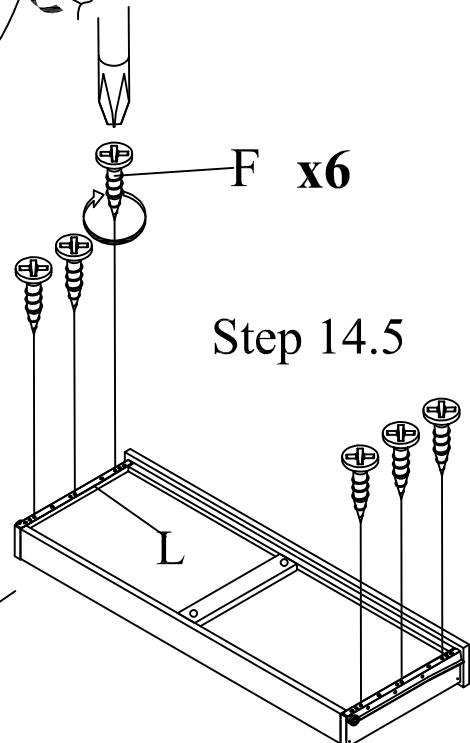
Back View



Step 14.6



Step 14.5



Step 15

