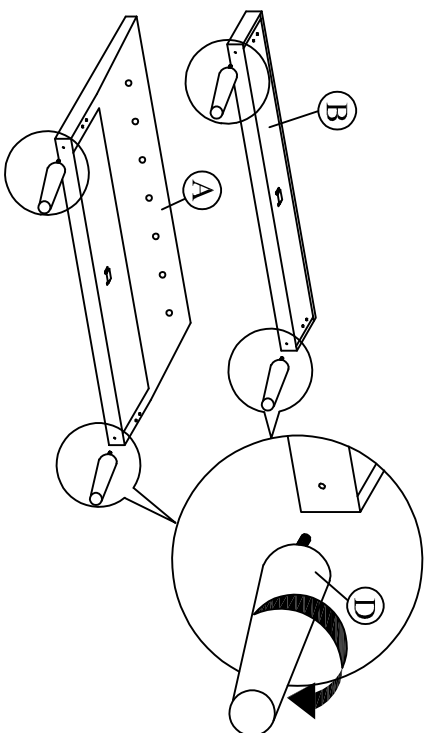


# ASSEMBLY INSTRUCTION

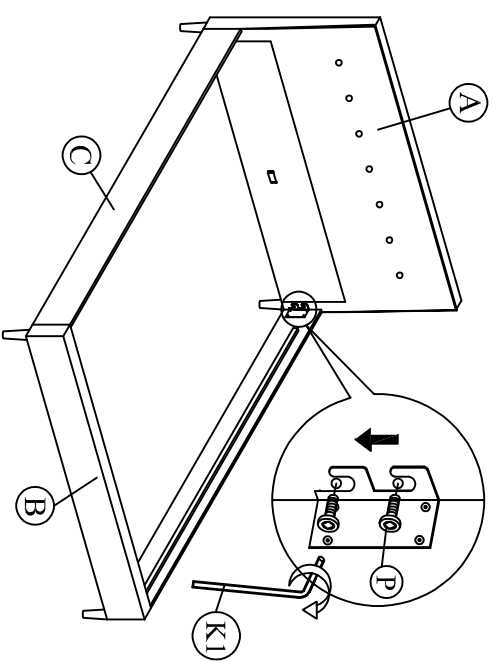
MODEL : CF 9148 (46" & 56")

A	Headboard	1 pc
B	Footboard	1 pc
C	Side Rail	2 pcs
D	Legs	4 pcs
E	Center Rail	1 pc
F	Support Leg	2 pcs
G	Slat	26 pcs
H	Middle Holder	13 pcs
I	End Holder	26 pcs
J	JCBC M6 X 40	2 pcs
K	K1 K2	1 pc
L	CSK M4 x 25mm	2 pcs
M	CSK M4 x 32mm	4 pcs
N	Stiffener Slat ( 2 Holes )	2 pcs
O	Adjuster	2 pcs
P	JCB M8 X 20	8 pcs

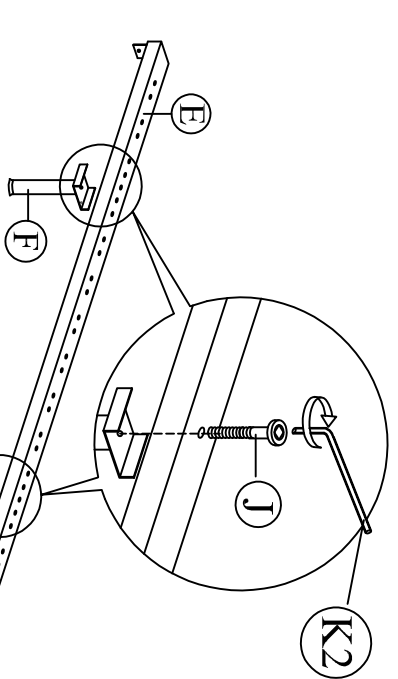
Step 1 : Install the legs (D) to footboard (B) and headboard (A).



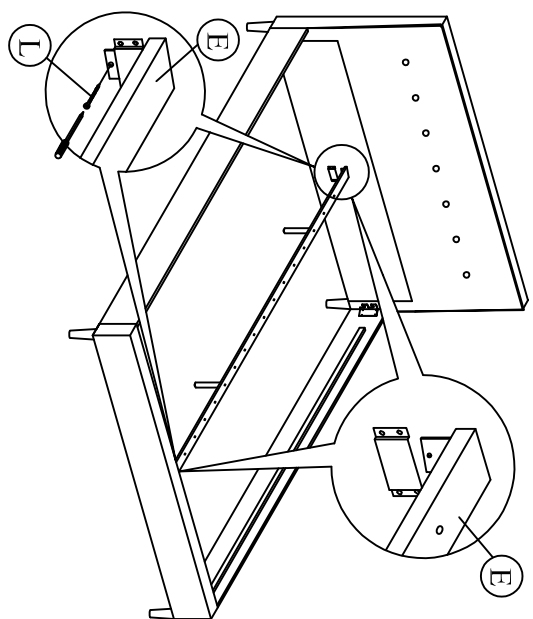
Step 2 : Attach side rail (C) to footboard (B) and headboard (A) by pushing the bracket down to fit it.



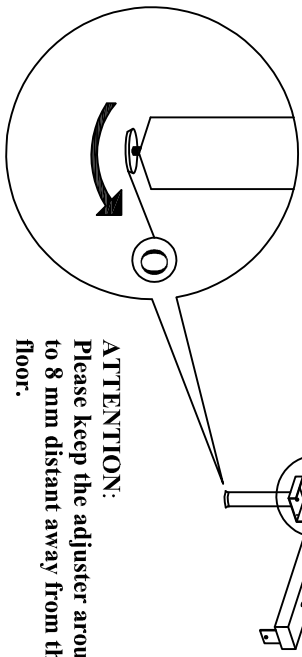
Step 3 : Attach the support legs (F) to the center rail (E) of the bed as shown.



Step 4 : Slide the center rail (E) to the headboard (A) and footboard (B). Tighten screws (L) using screw driver (not included) to the headboard (A) and footboard (B).



**ATTENTION:**  
Please keep the adjuster around 5 to 8 mm distant away from the floor.



Step 5 : Affix the Stiffener Slat (N) to the side rail support wood and the center rail (E). Tighten all the 4 corner ,follow by assembly of the slat holders with L VL slats as shown.

