

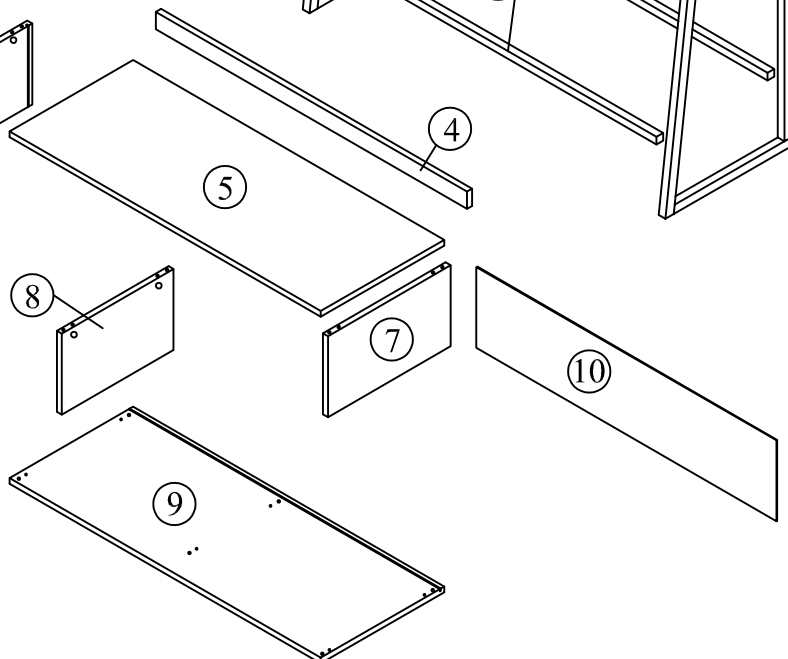
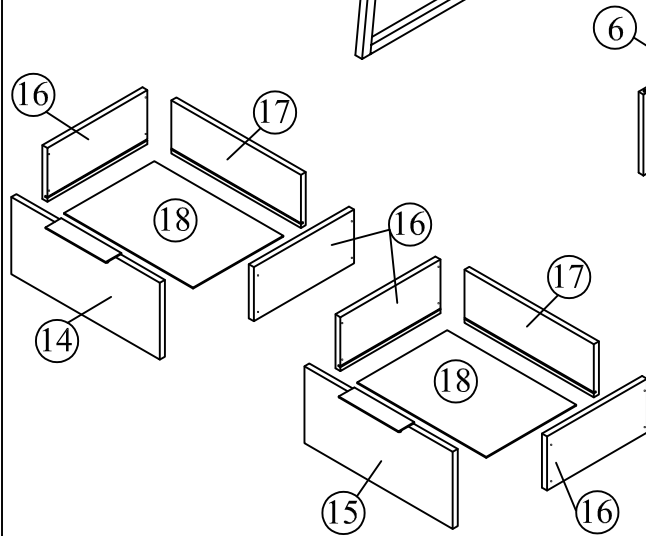
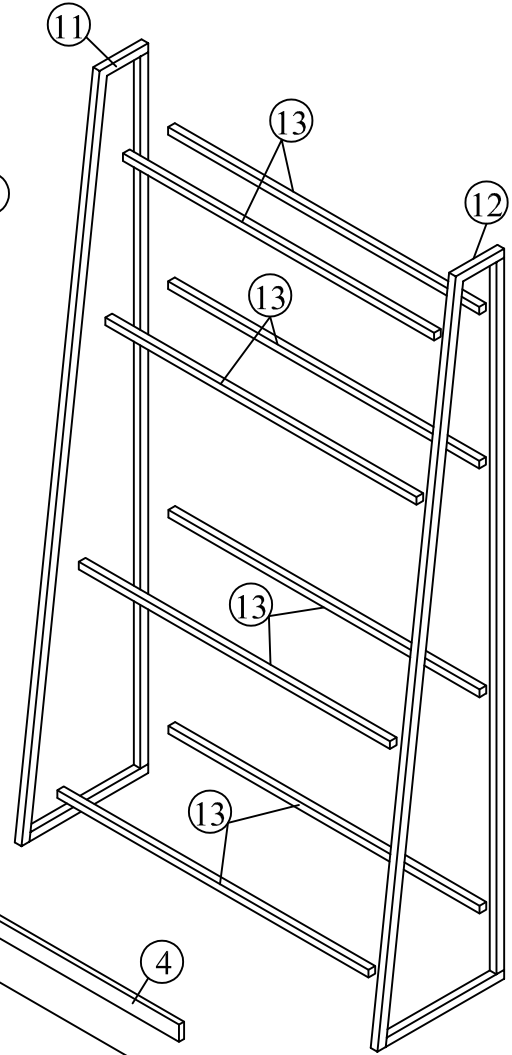
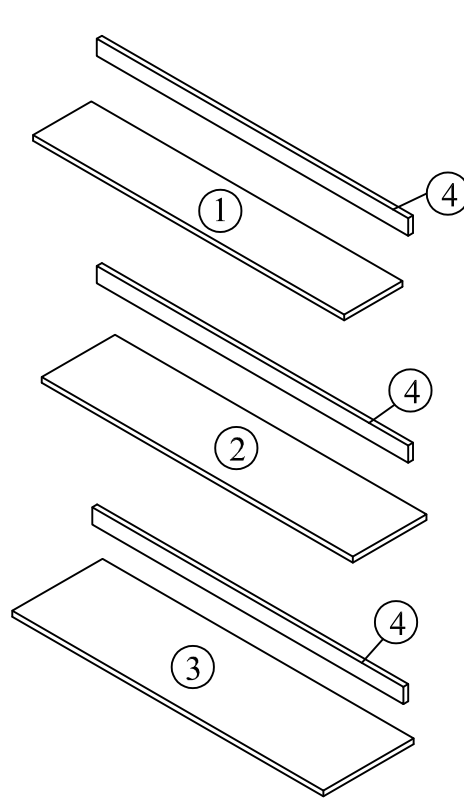
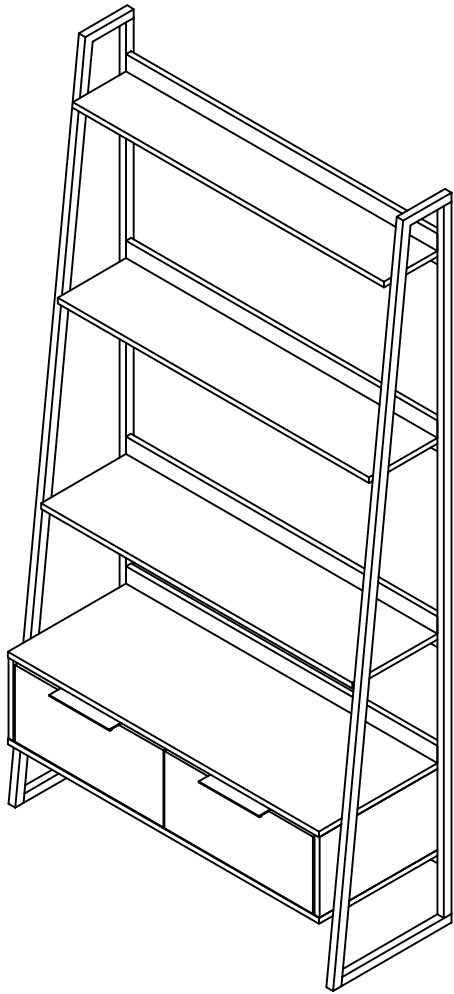
Assembly Instructions

Model : BS 8006

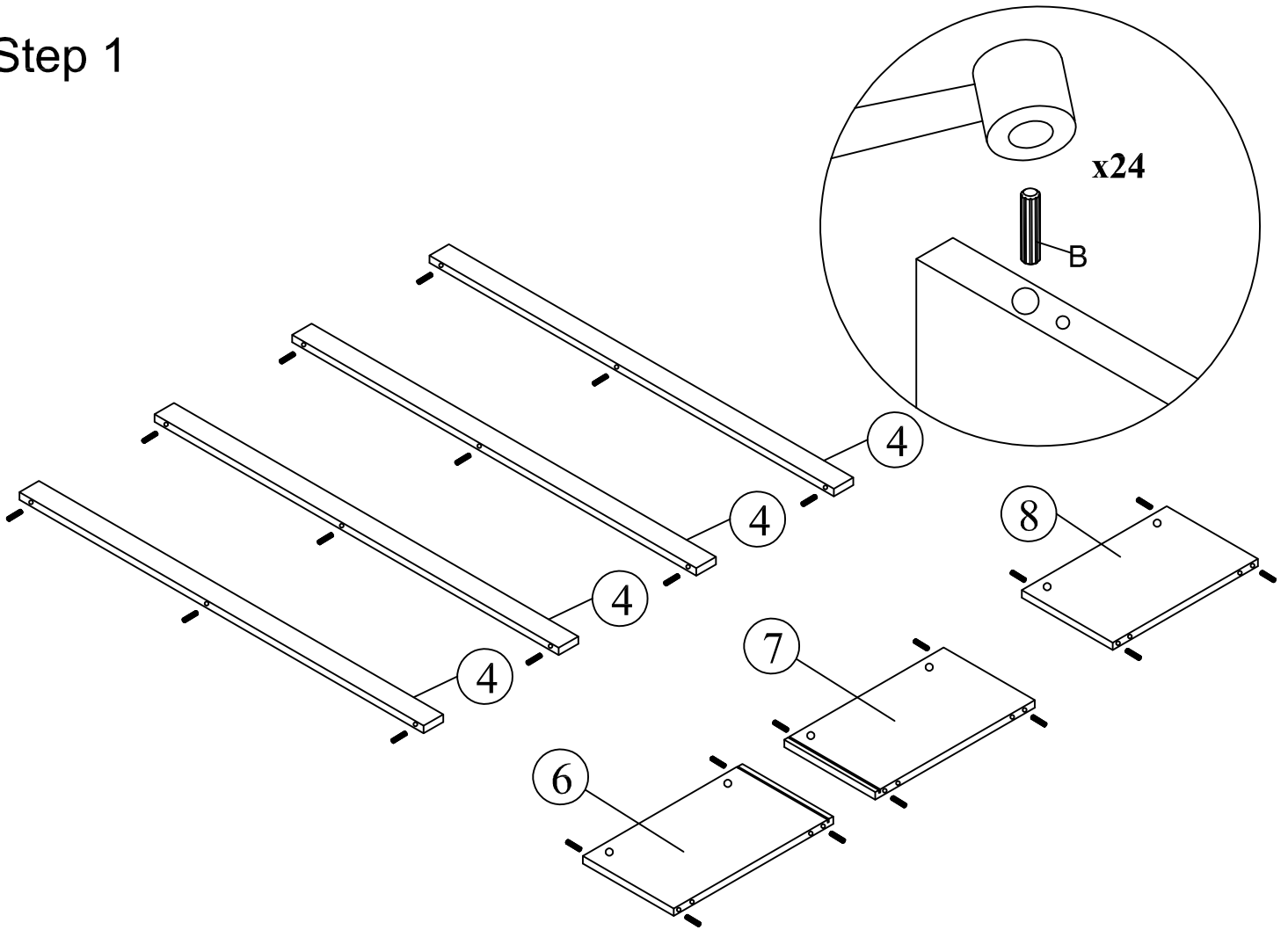
Part List	QTY
1 Top Rack	1
2 Middle Rack	1
3 Low Panel	1
4 Plinth Panel	4
5 Top Panel	1
6 Side Panel (L)	1
7 Side Panel (R)	1
8 Centre Panel	1
9 Bottom Panel	1
10 Back Panel	1

Part List	QTY
11 Metal Frame Leg (L)	1
12 Metal Frame Leg (R)	1
13 Metal Support Legs	8
14 Drawer Front Panel (L)	1
15 Drawer Front Panel (R)	1
16 Drawer Side Panel	4
17 Drawer Back Panel	2
18 Drawer Bottom Panel	2

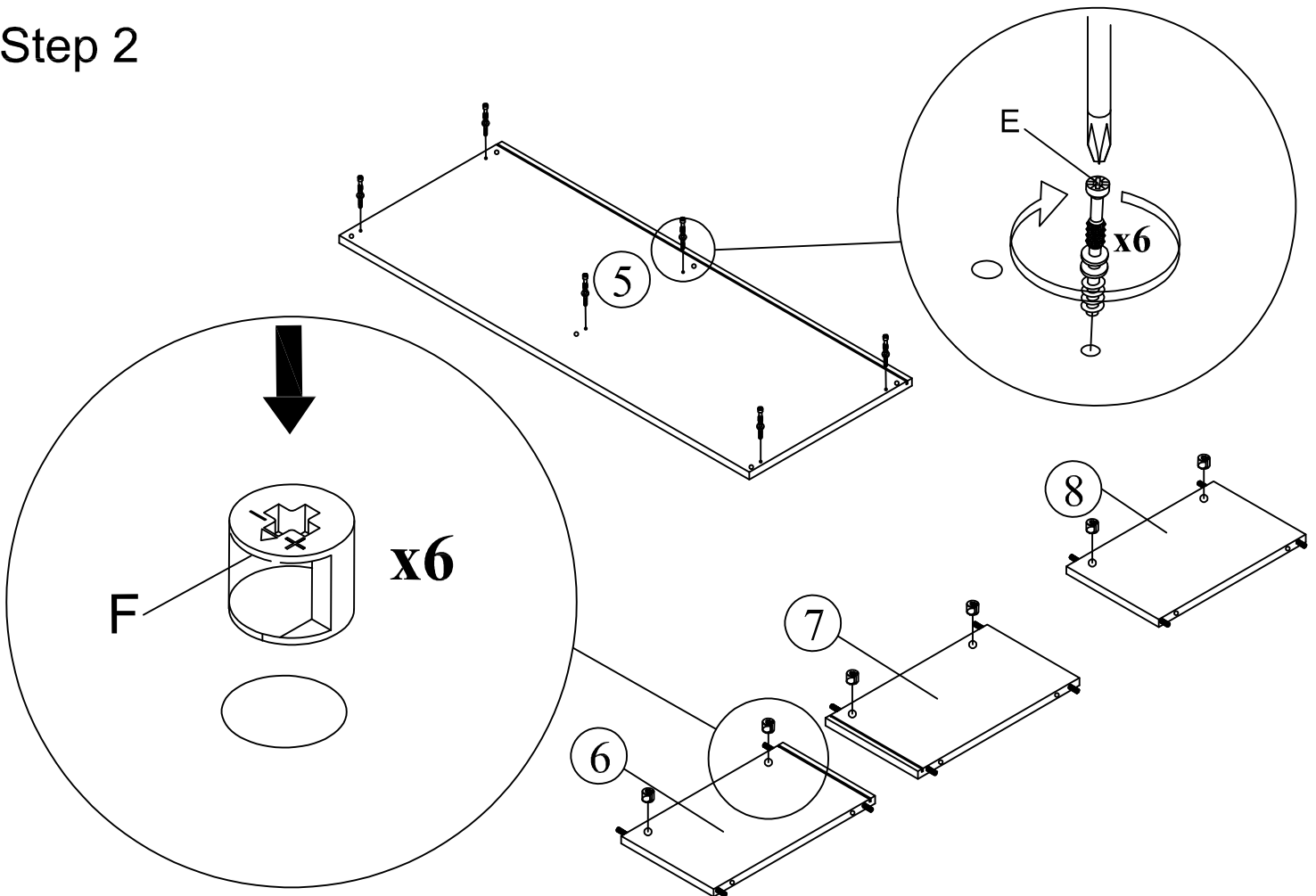
Hardware	QTY
A Allen Key M4	1
B Wood Dowel	24
C JCBC W Screw M6x40	6
D JCBC Screw M6x50 + M6 Flat Washer	16
E Mini Fix Bolt	6
F Mini Fix Housing	6
G Mini Fix Cap	6
H CSK Screw M4x32mm	24
I CSK Screw M4x50mm	28
J CSK Screw M3.5x16mm	36
K 14" Drawer Slide	2
L Handle	2
M L Bracket	4



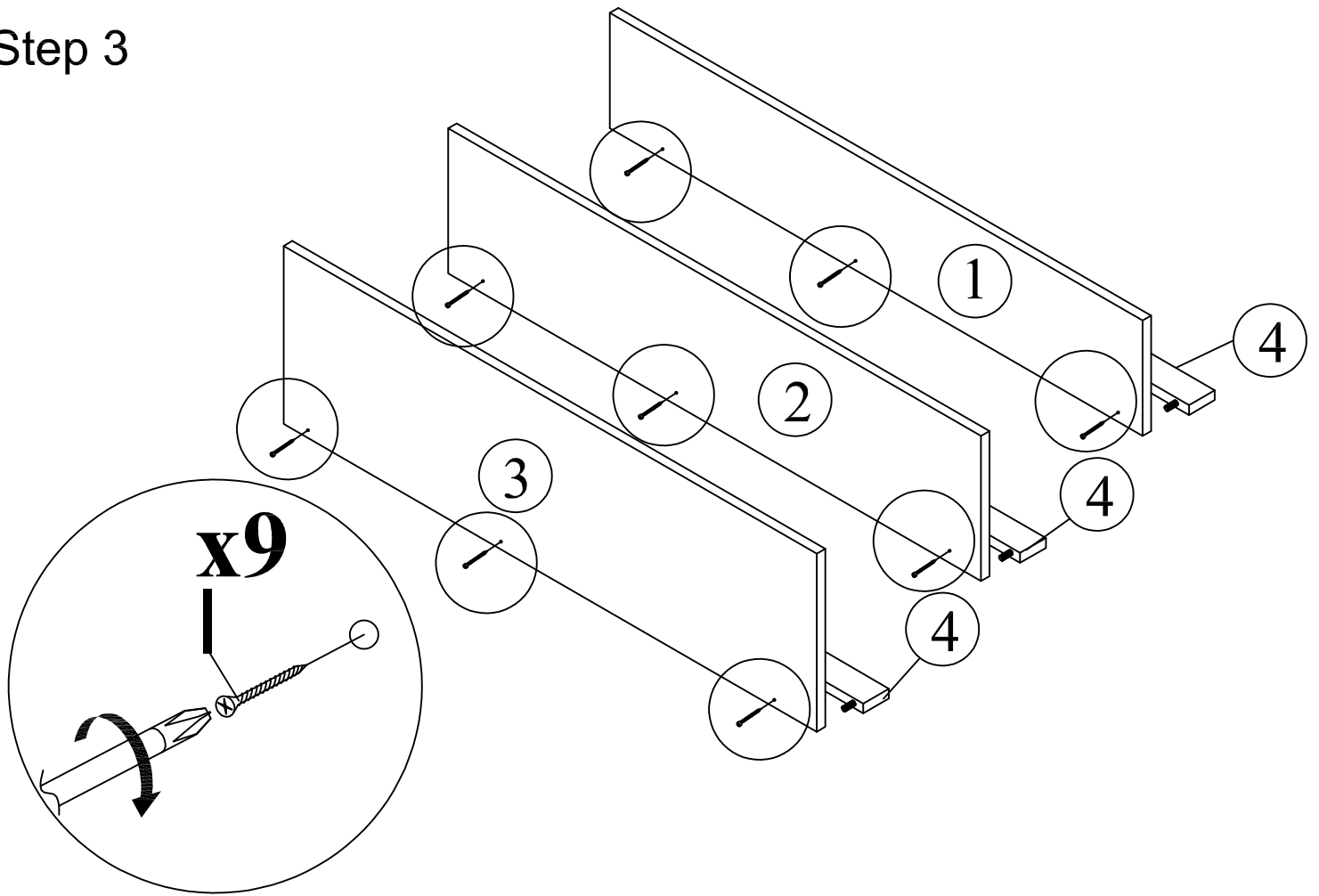
Step 1



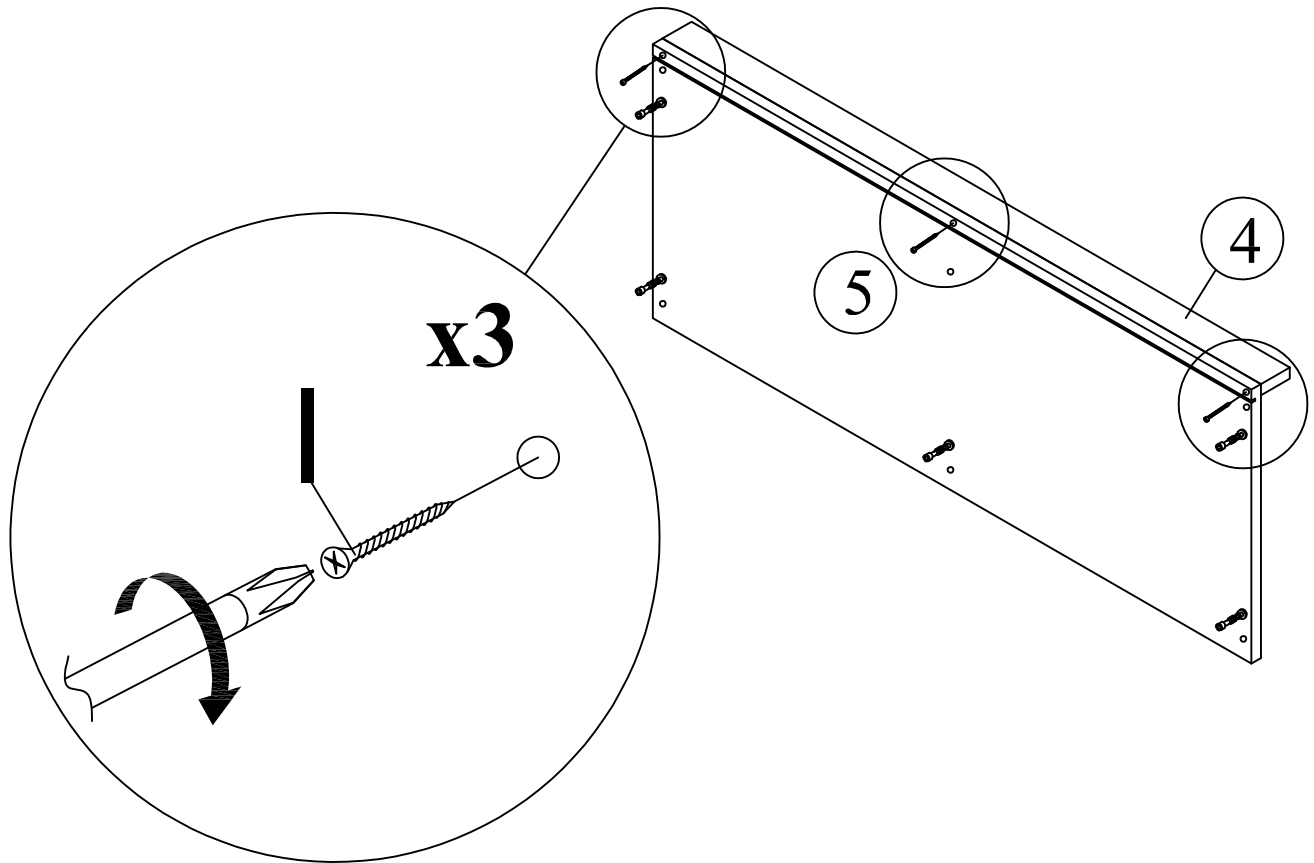
Step 2



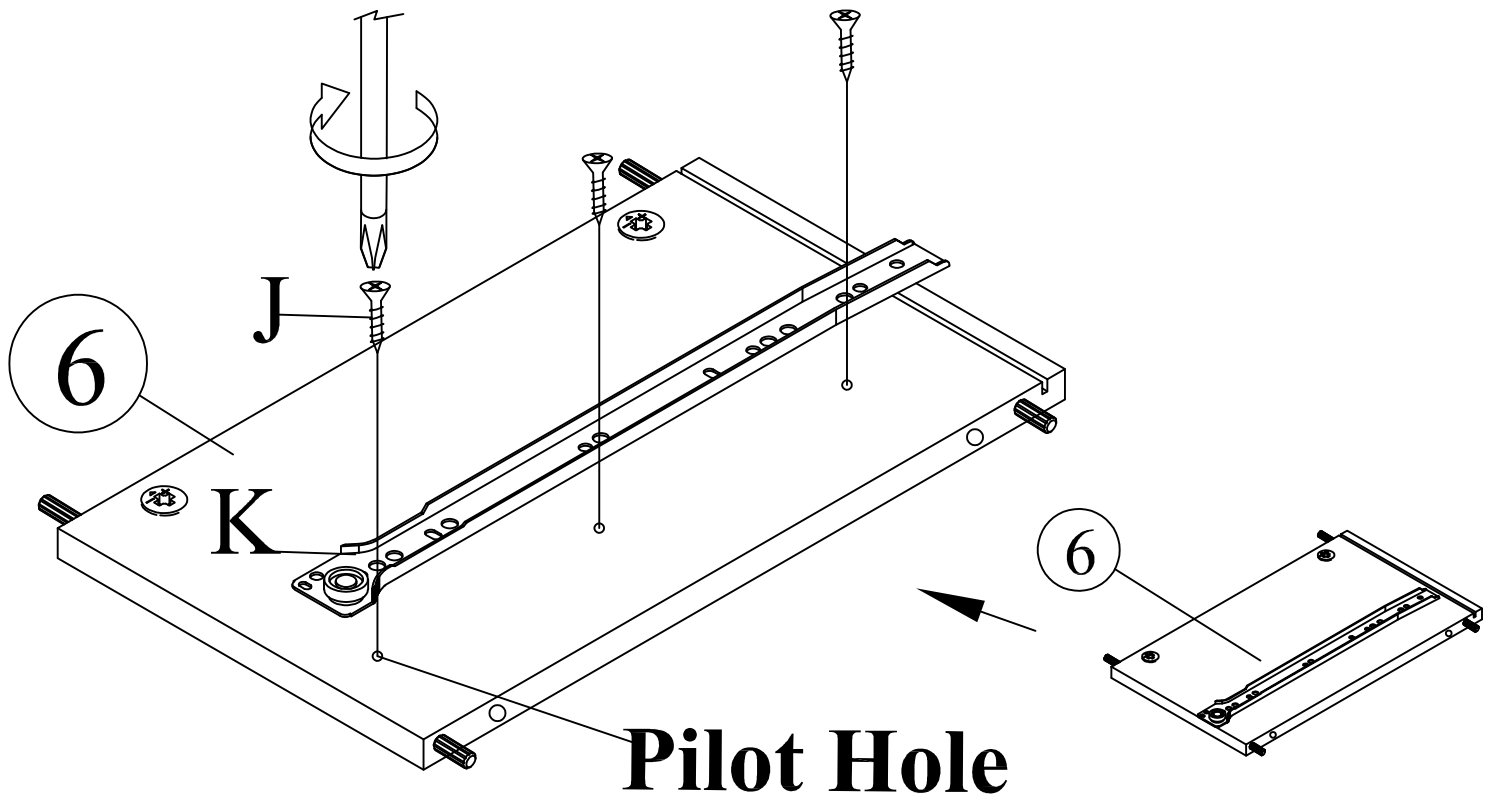
Step 3



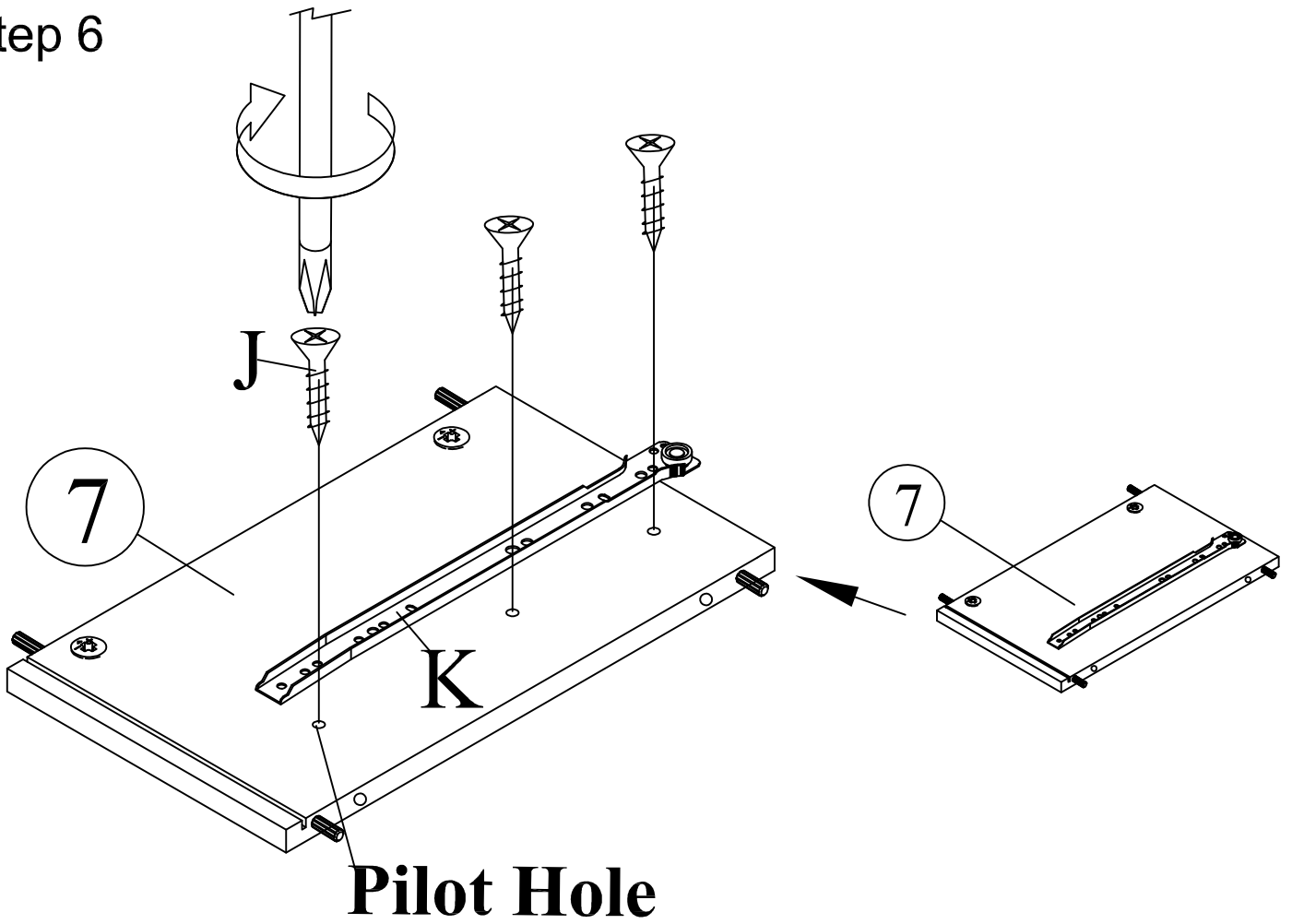
Step 4



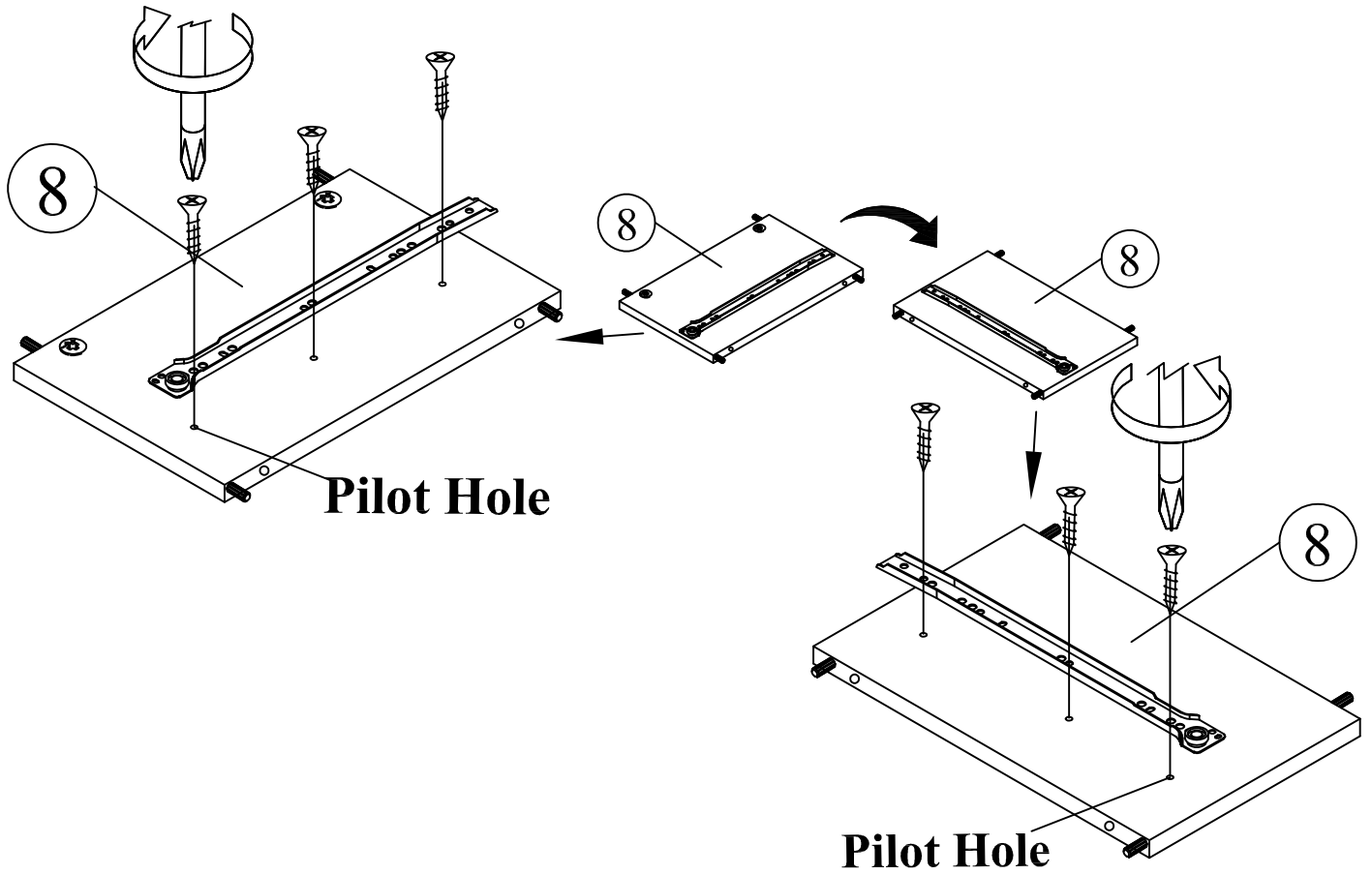
Step 5



Step 6

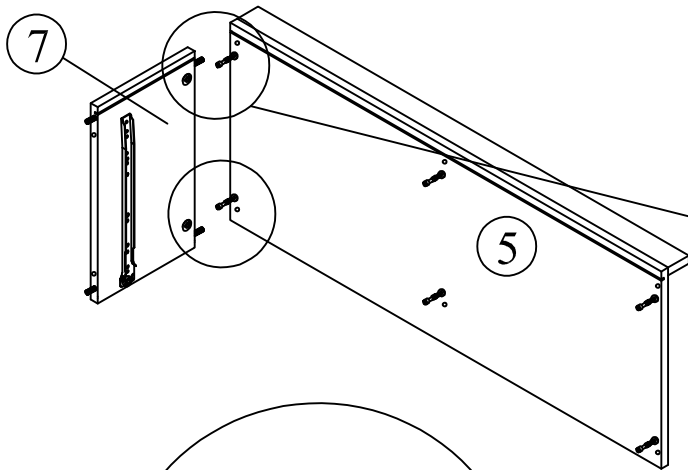


Step 7

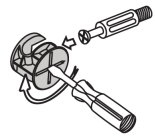


Step 8

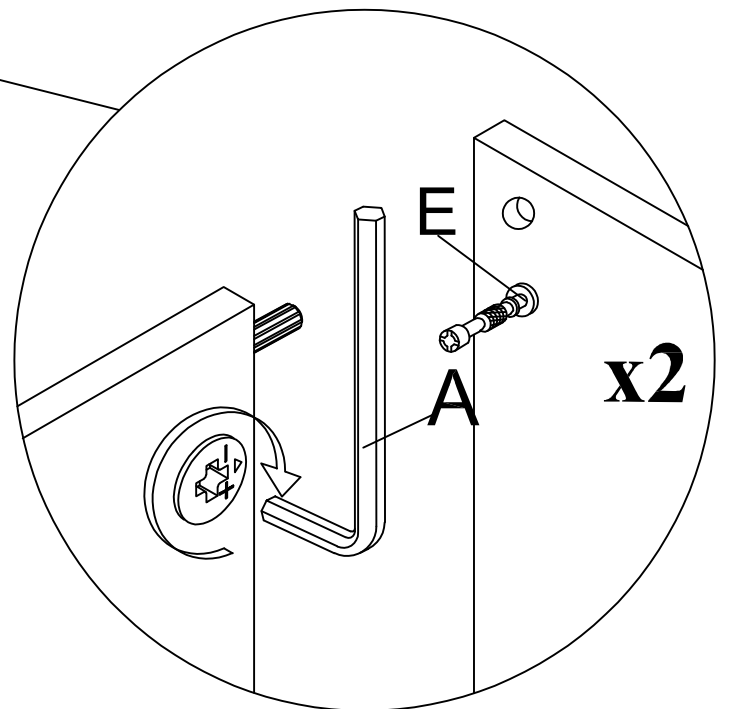
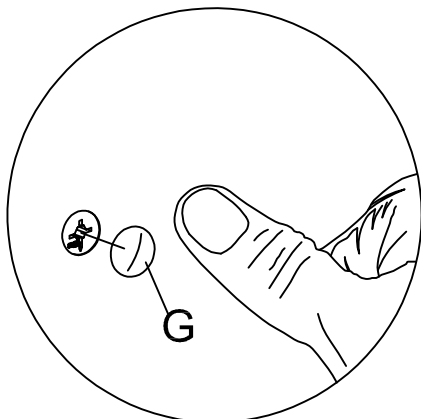
Back View



This is how a mini fix works...



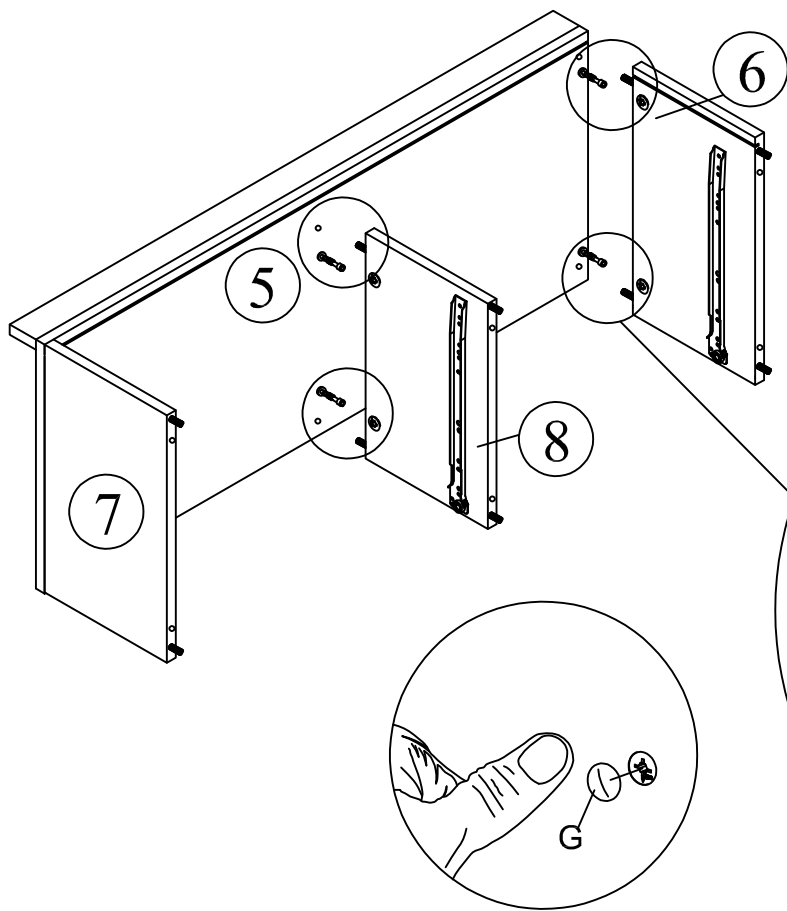
The head of the mini fix housing goes into the open mouth of the mini fix bolt. You then turn the mini fix housing so it tightens over the mini fix bolt.



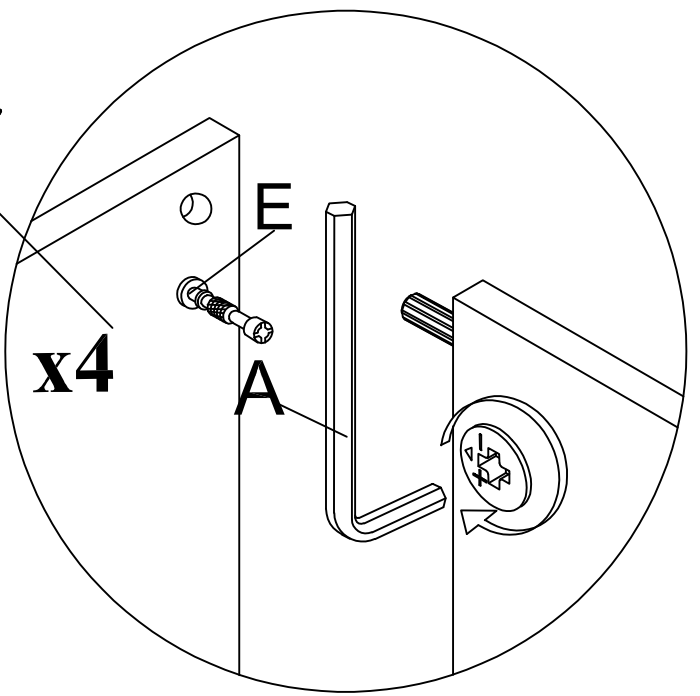
***Attach Minifix Cap as shown.**

Step 9

Back View



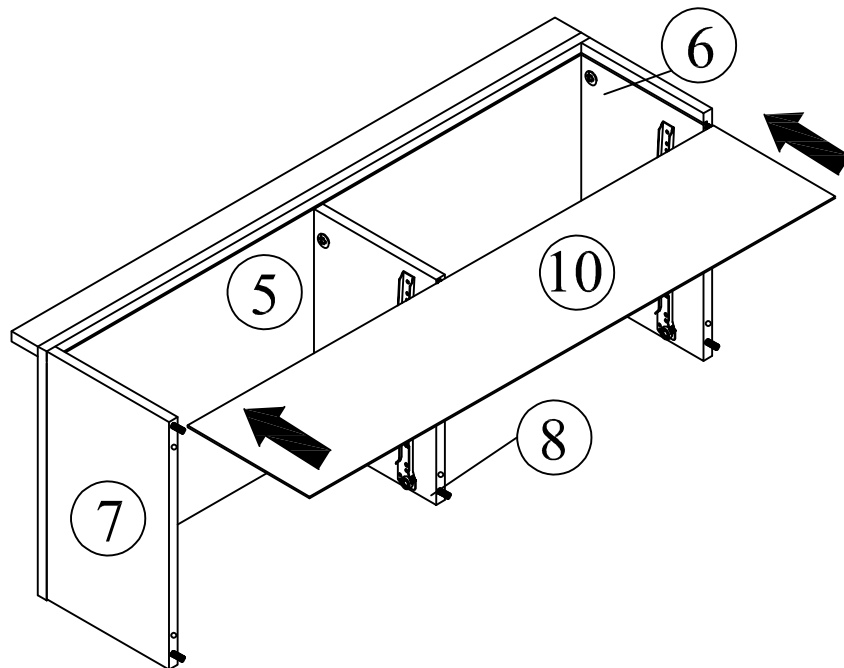
This is how a mini fix works...
The head of the mini fix housing goes into the open mouth of the mini fix bolt. You then turn the mini fix housing so it tightens over the mini fix bolt.



**Attach Minifix Cap as shown.*

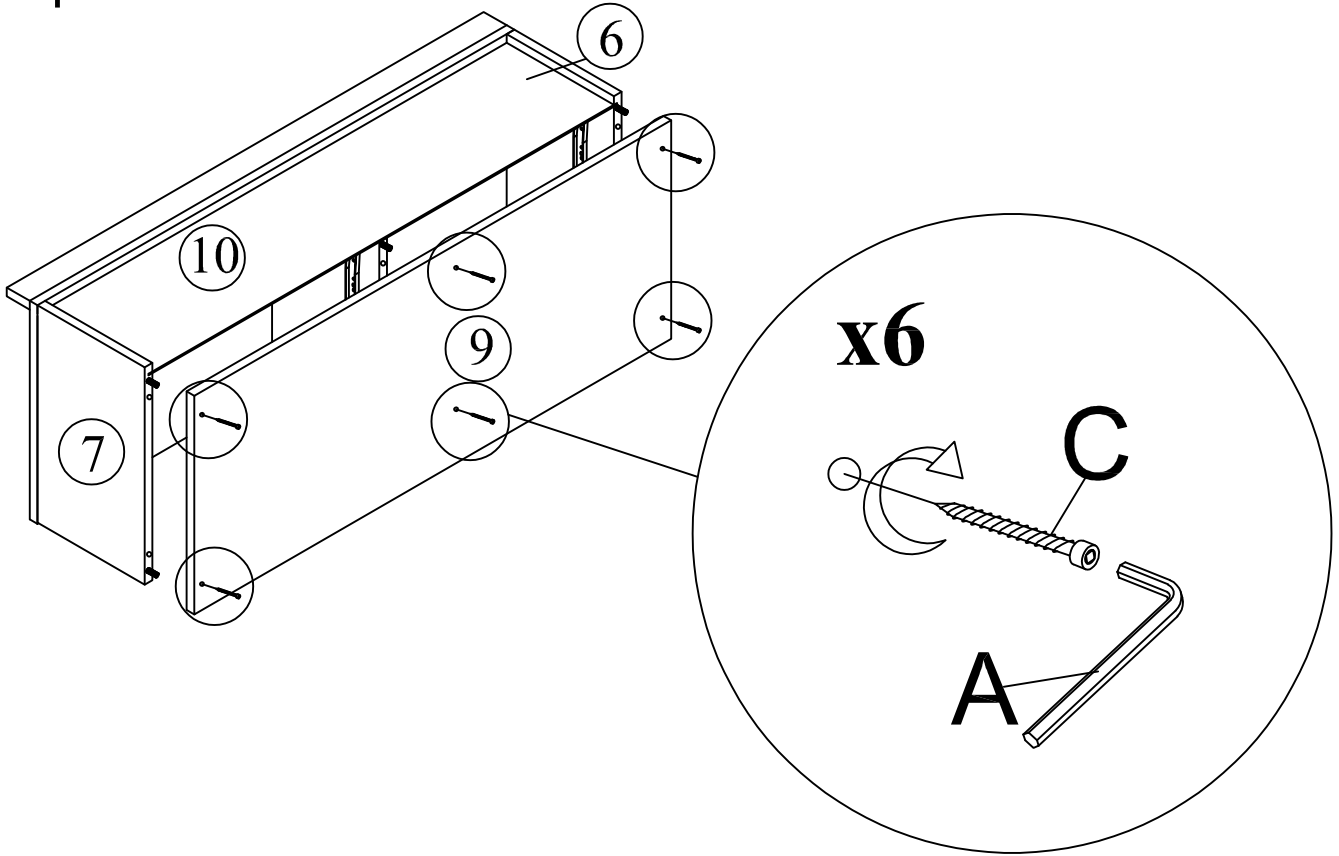
Step 10

Back View

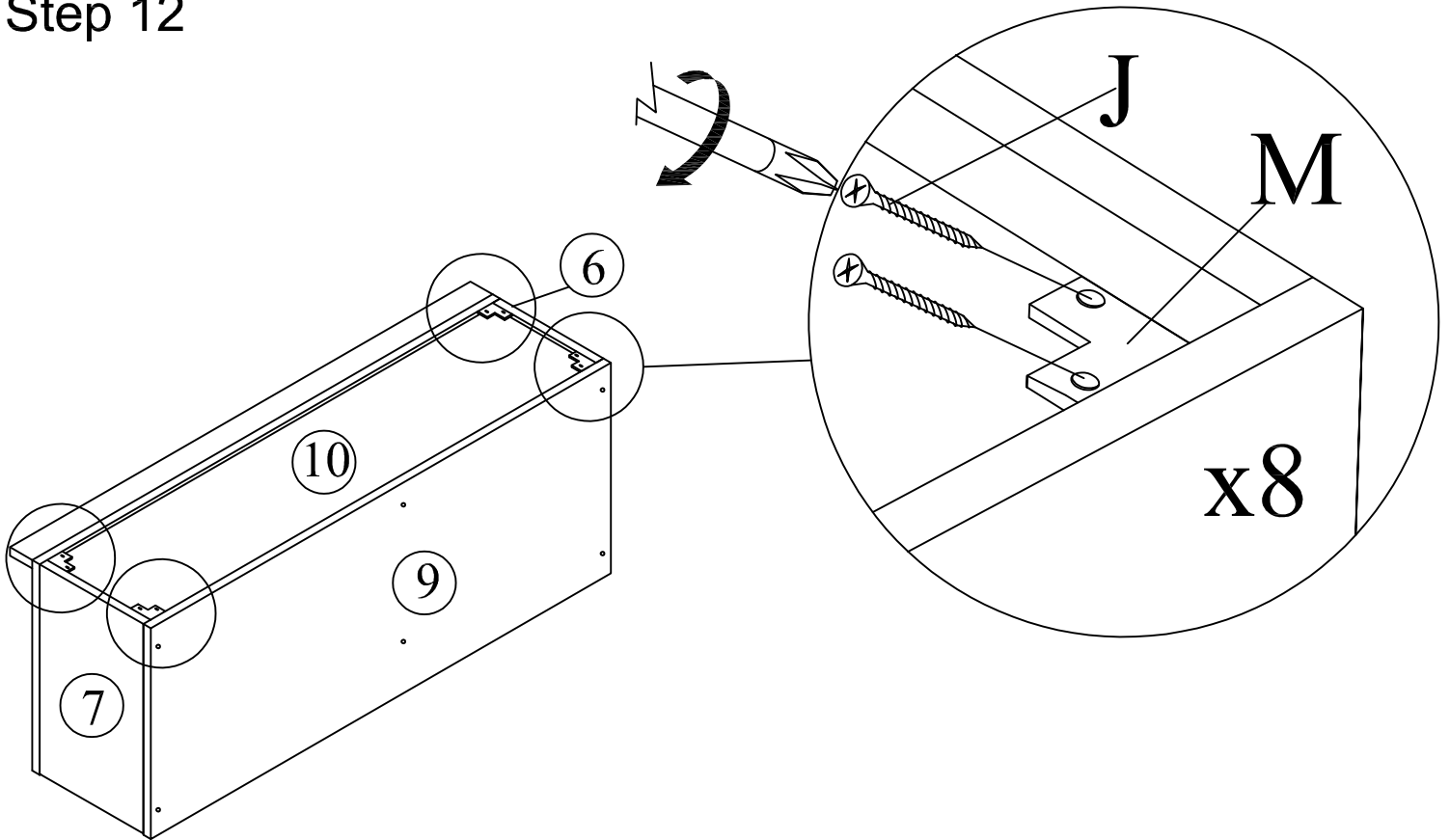


Step 11

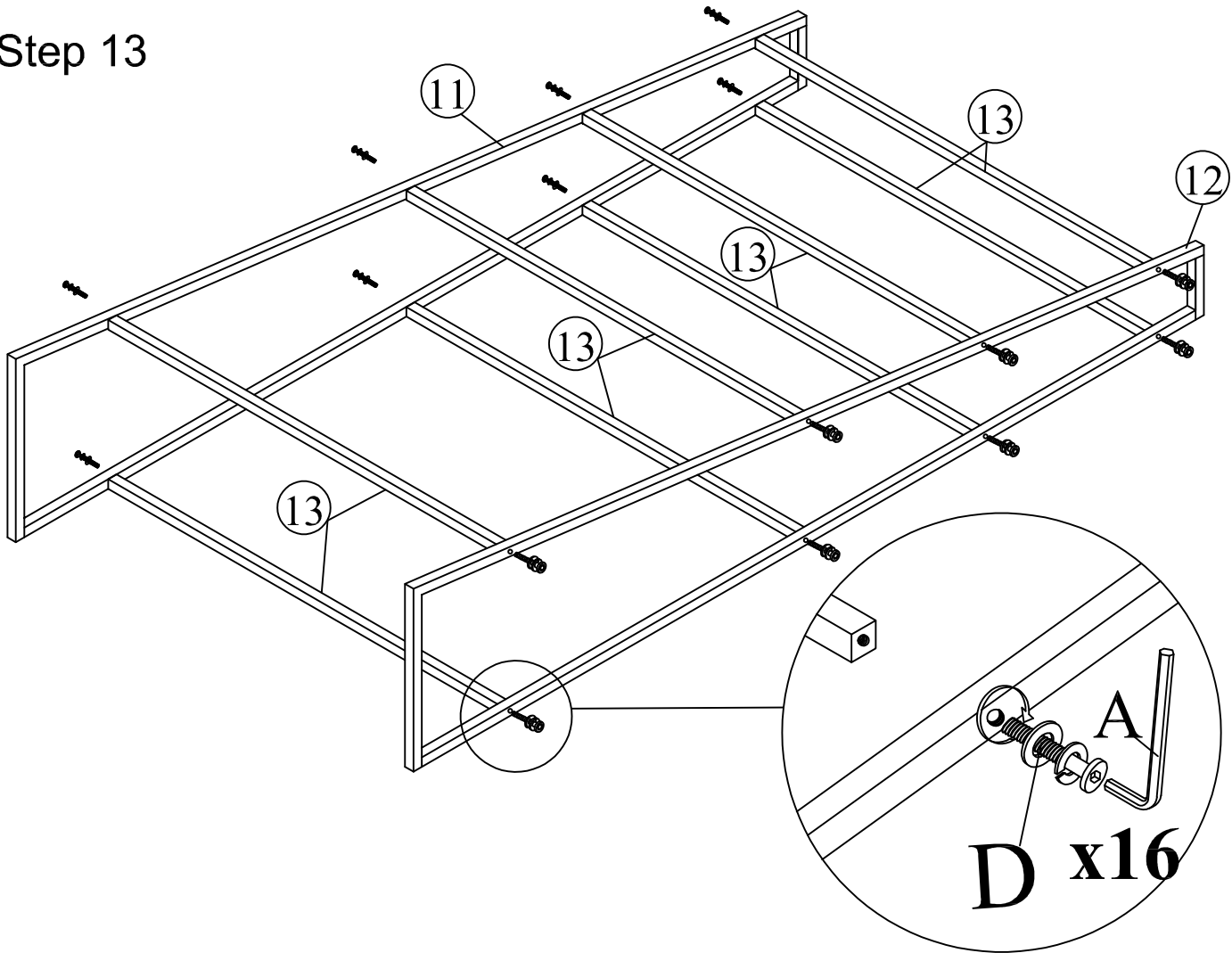
Back View



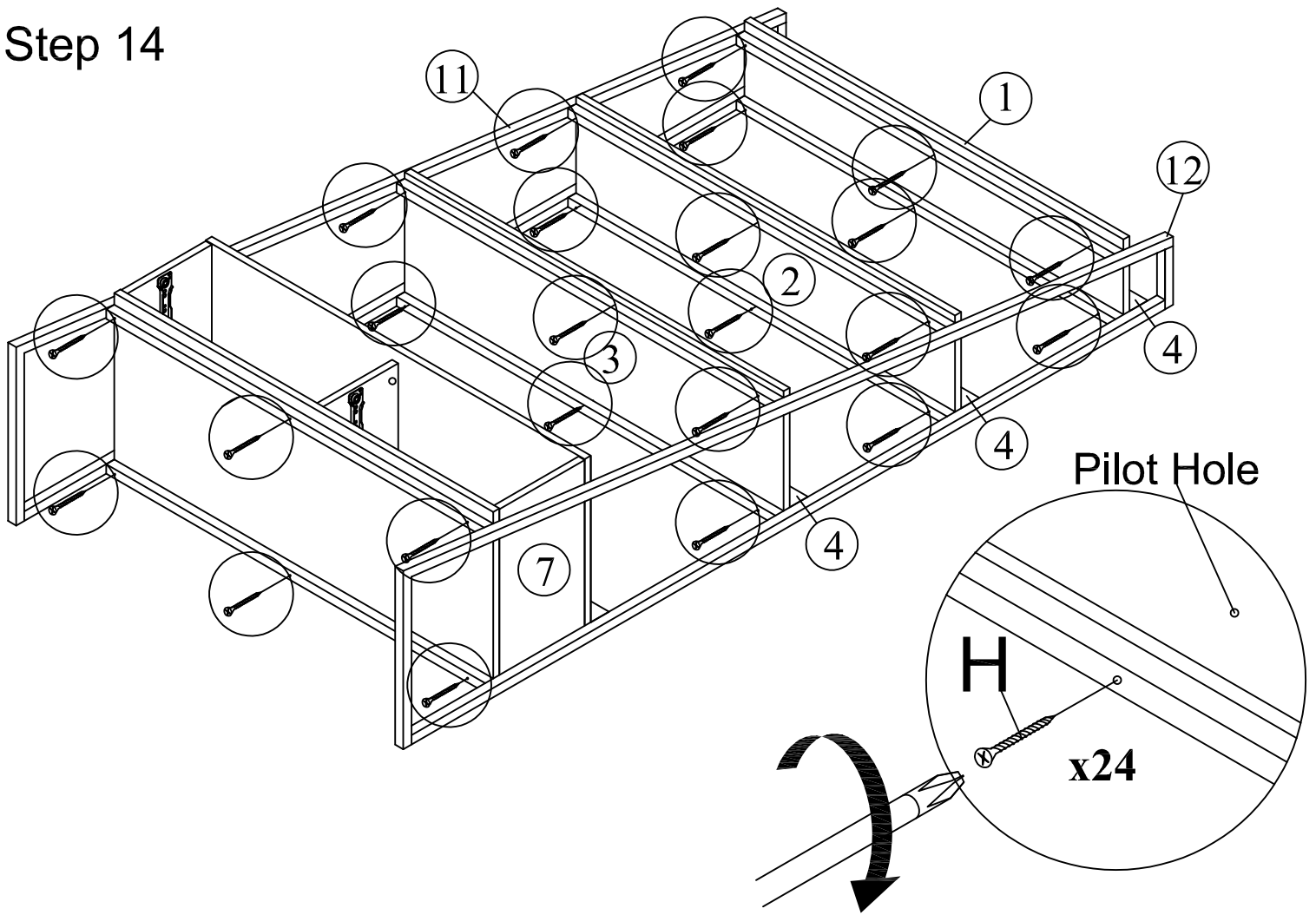
Step 12



Step 13



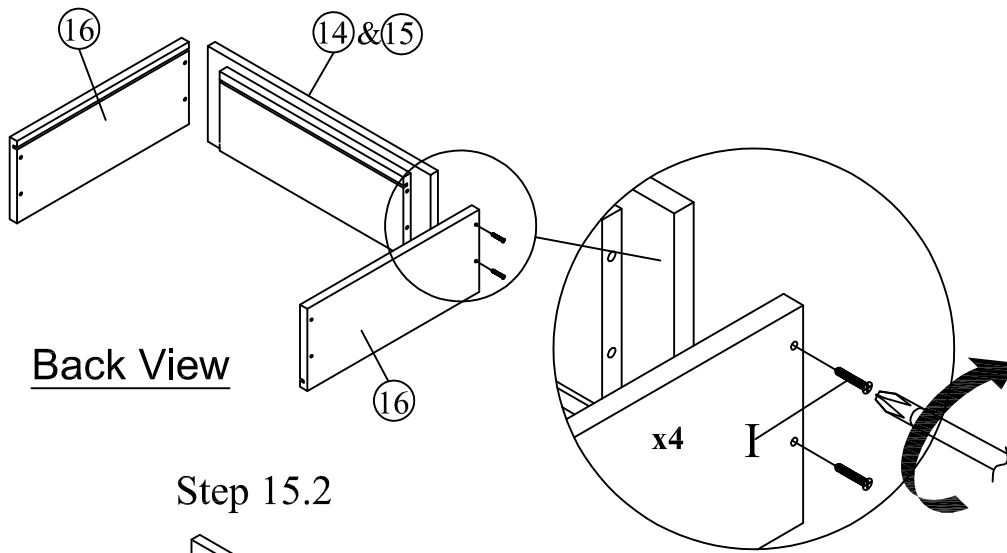
Step 14



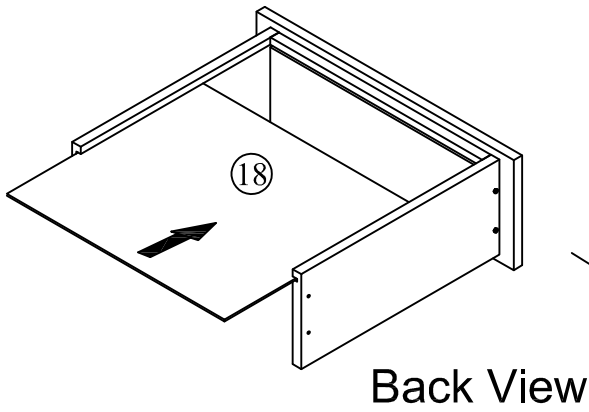
Step 15

x2

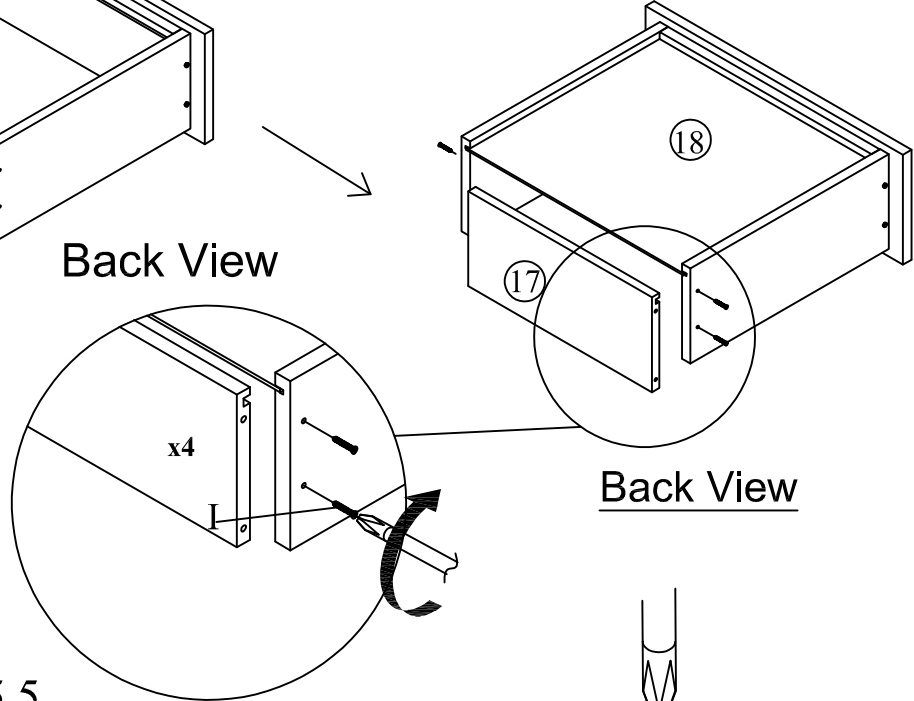
Step 15.1



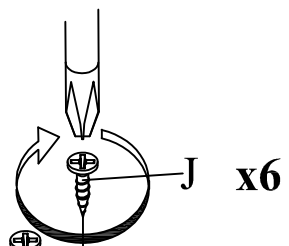
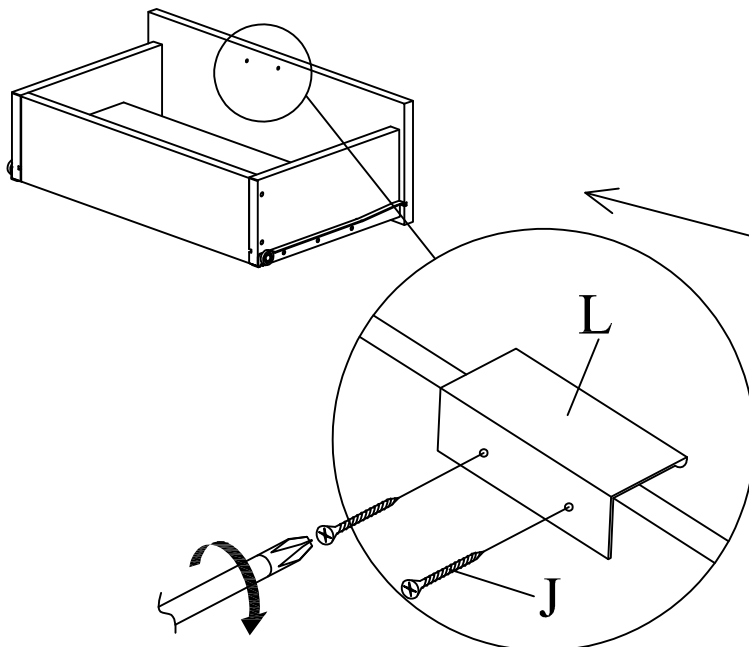
Step 15.2



Step 15.3

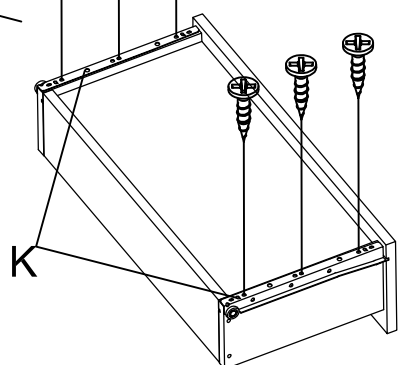


Step 15.5



Step 15.4

Back View



Step 16

