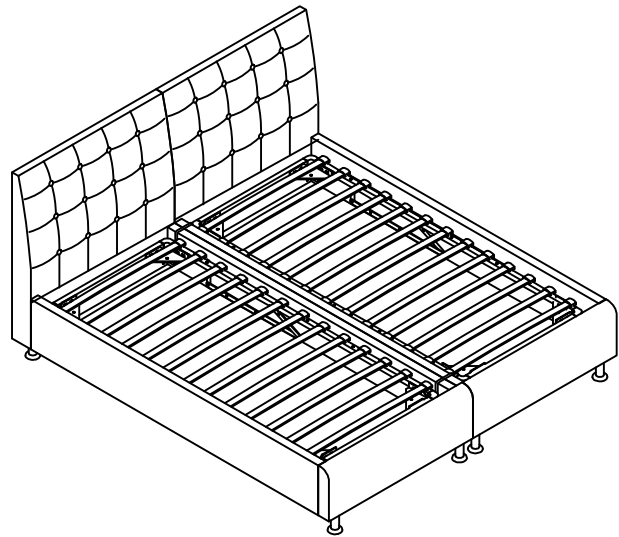


ASSEMBLY INSTRUCTIONS



PART LIST

1.Headboard 2pcs



2.Footboard 2pcs



3.Sideboard 2pcs
(2020*300)



4.Sideboard 2pcs
(2020*260)



5.Slats 26pcs



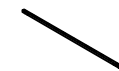
6.Single-hole
Plastic Cap 52pcs



7.Legs 8pcs



8.Slat side bar
4pcs



9.Slat front&back bar
4pcs



10.Corner connector
8pcs



11.Bracket
12pcs



12.Bottom panel
4pcs



13.Lifting frame
4pcs



14.Piston
4pcs



15.Strap handle
2pc



16.Mattress stopper
2pc



17.Connecting clip
2pc



HARDWARE LIST

(A) Bolt M8*30mm 48pcs (B) Allen key 1pc (C) Nut M8 44pcs



(D) Spring Washer 16pcs



(E) Flat Washer 92pcs



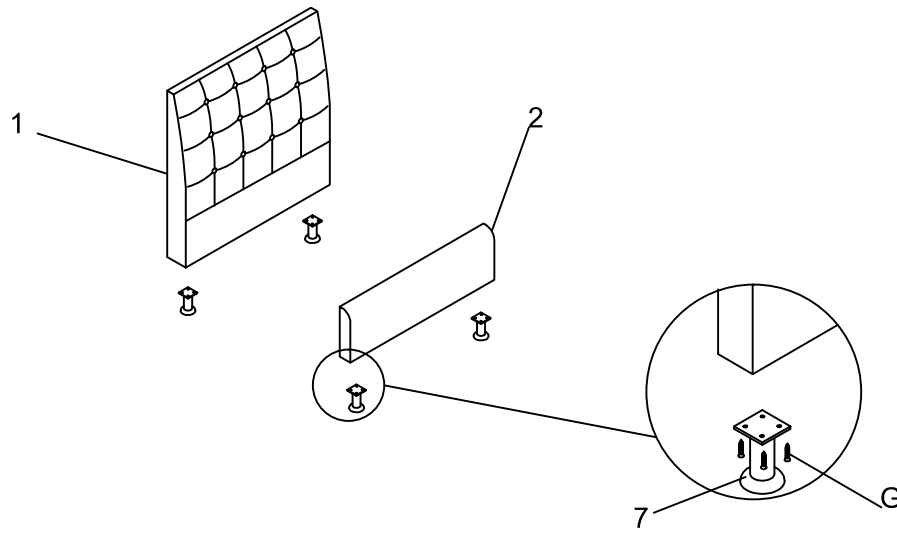
(F) Spanner
1pc



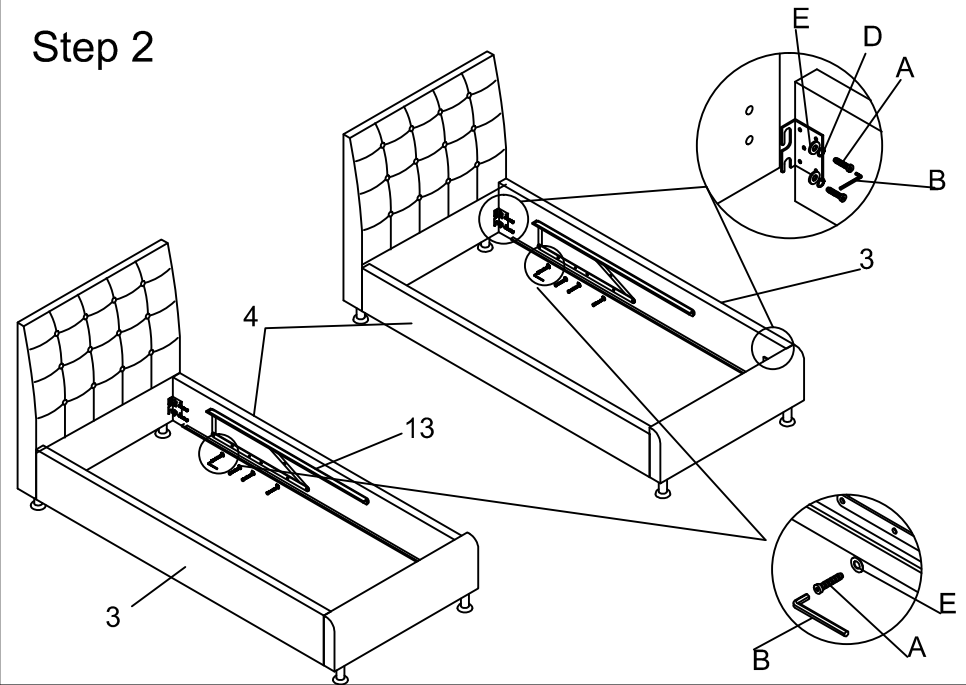
(G) Screw 4*25mm 32pcs (H) Bolt 8*45mm 44pcs



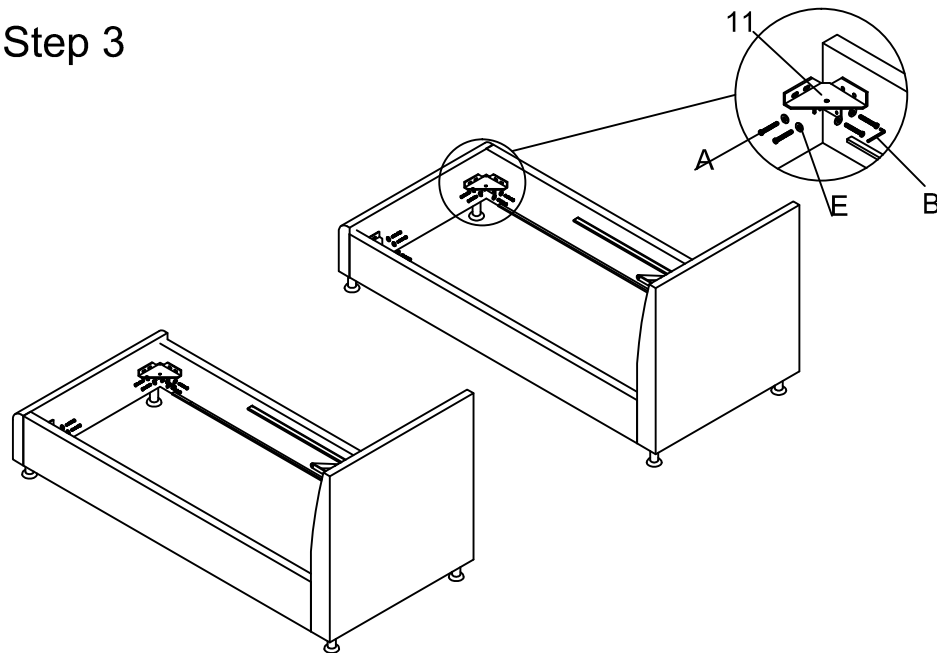
Step 1



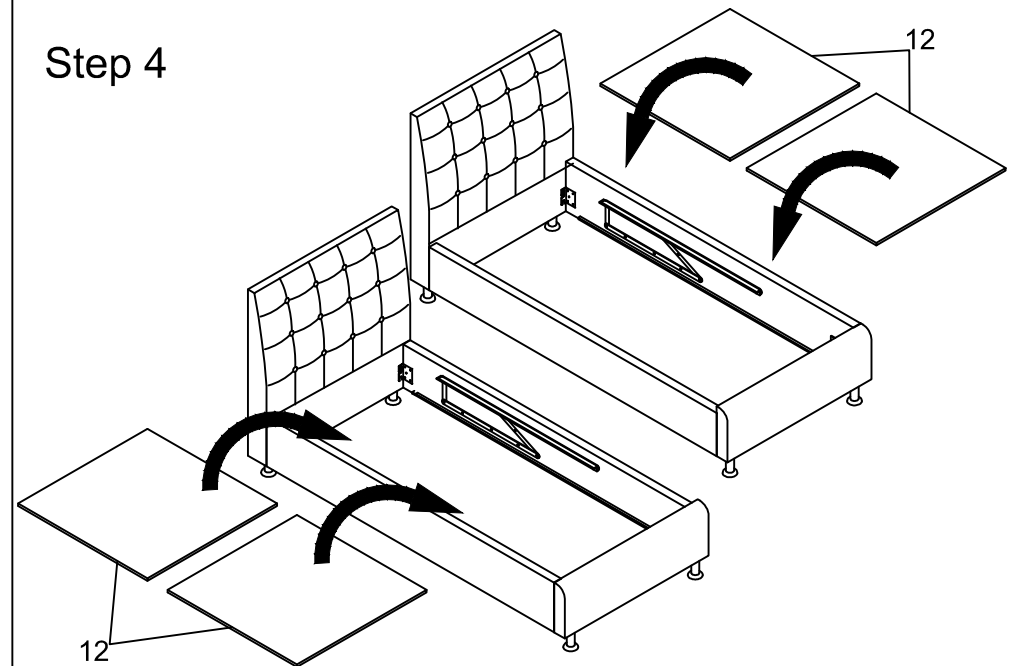
Step 2



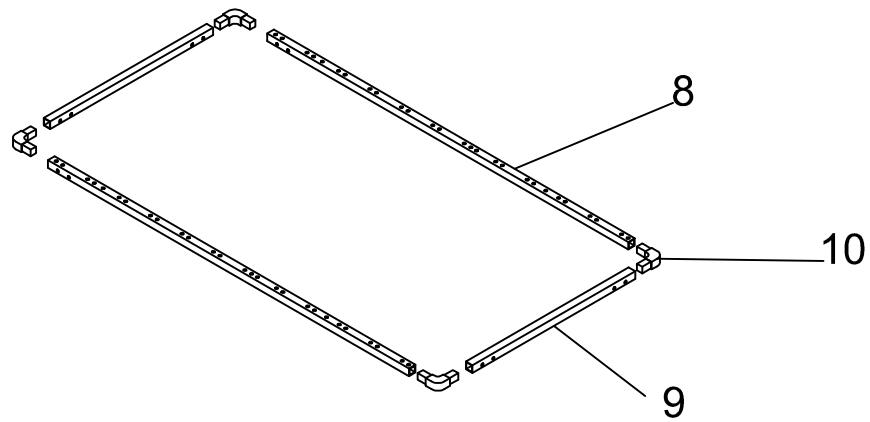
Step 3



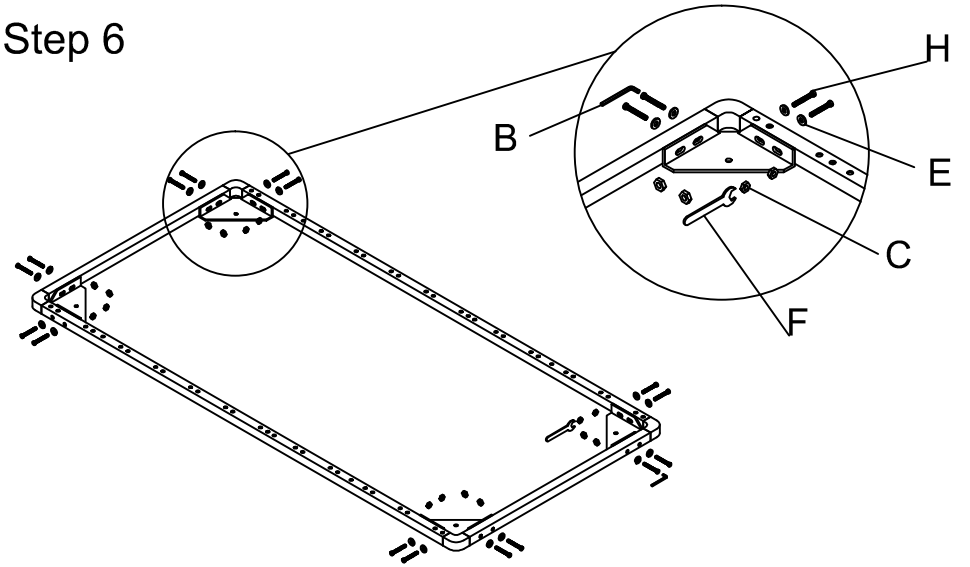
Step 4



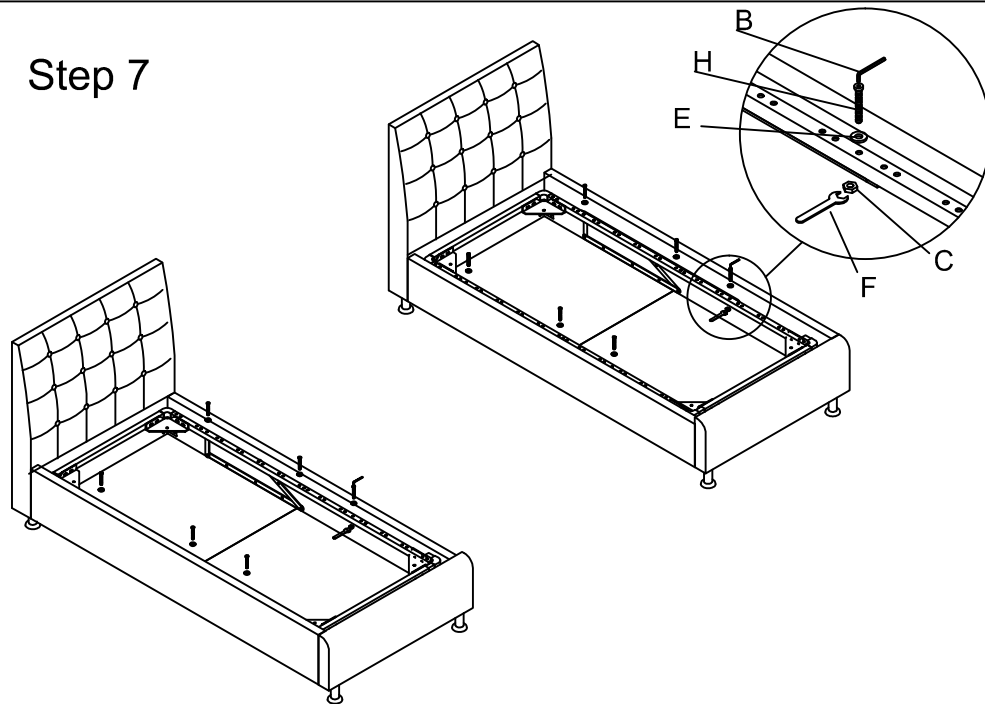
Step 5



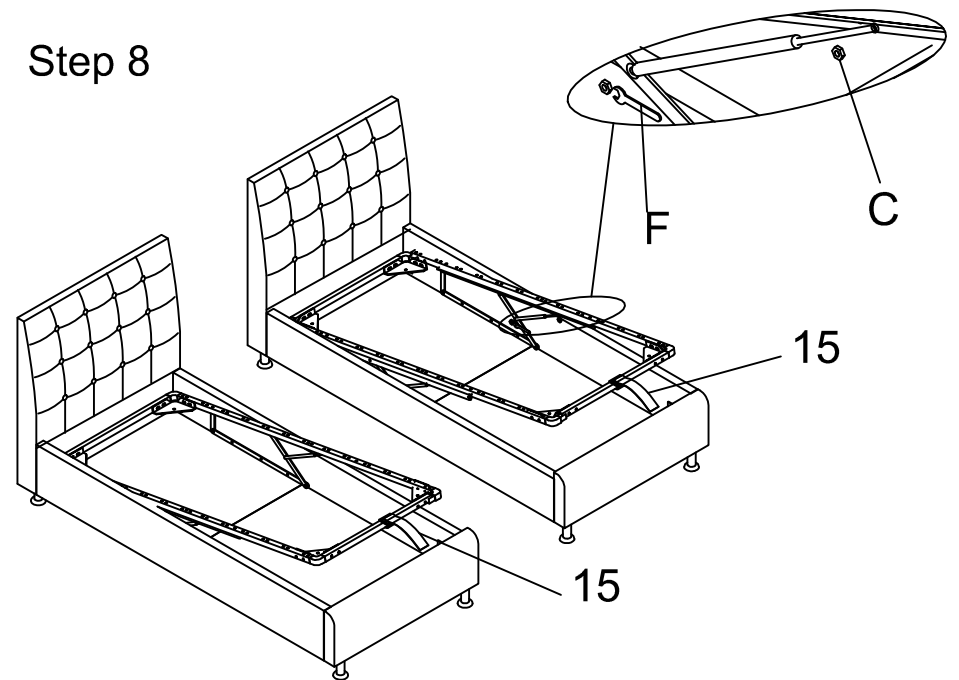
Step 6



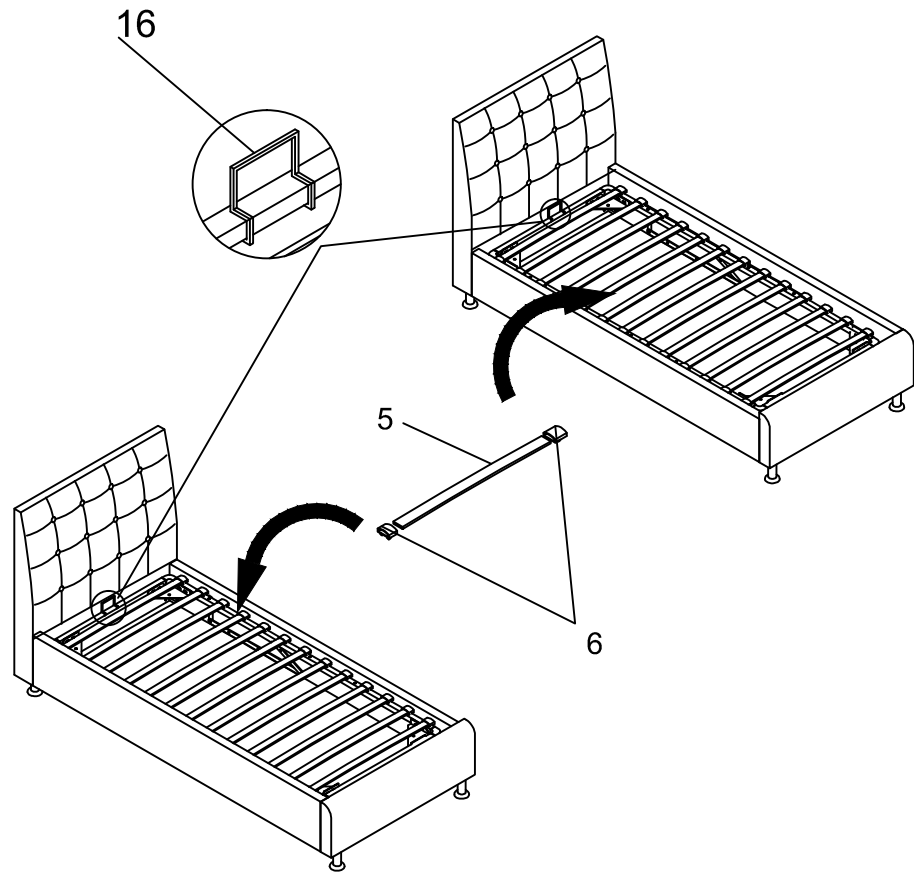
Step 7



Step 8



Step 9



Step 10

