
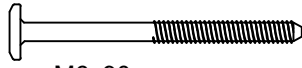
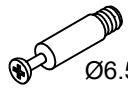

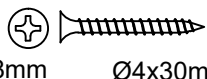
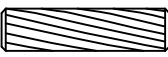
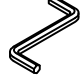


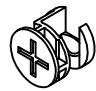
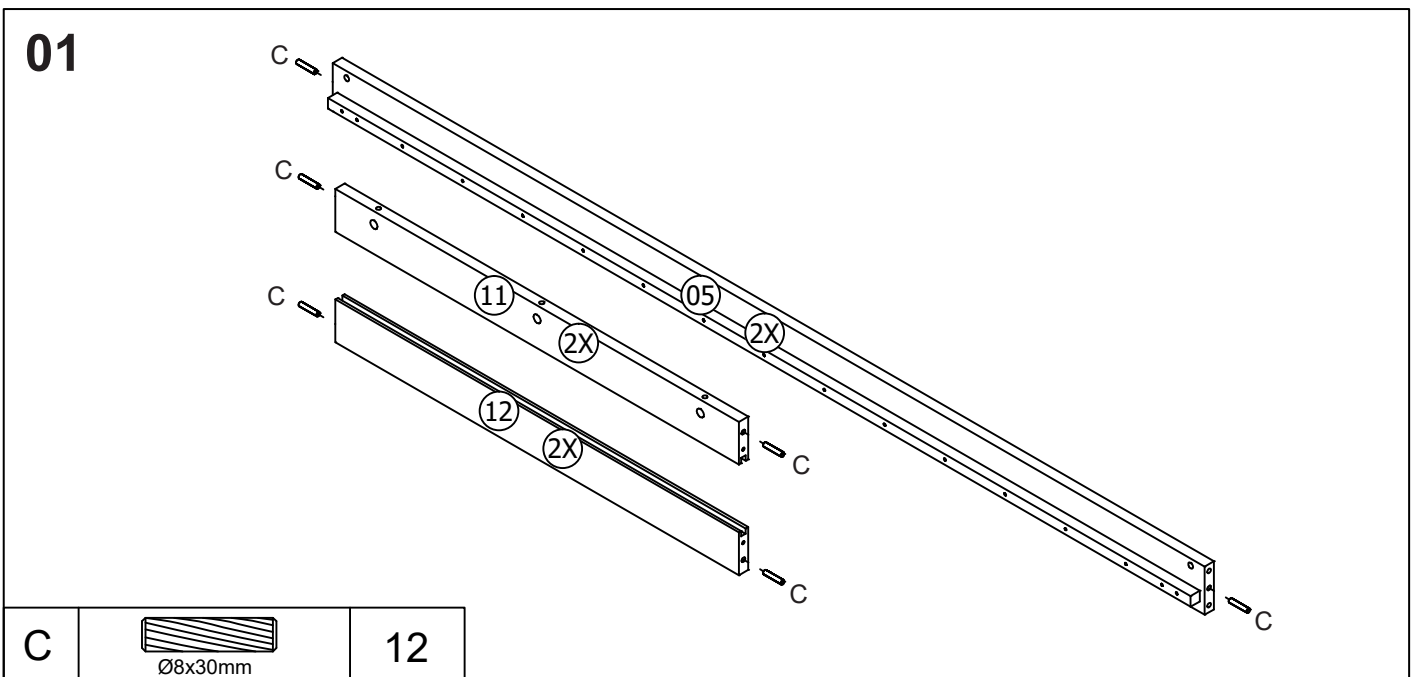
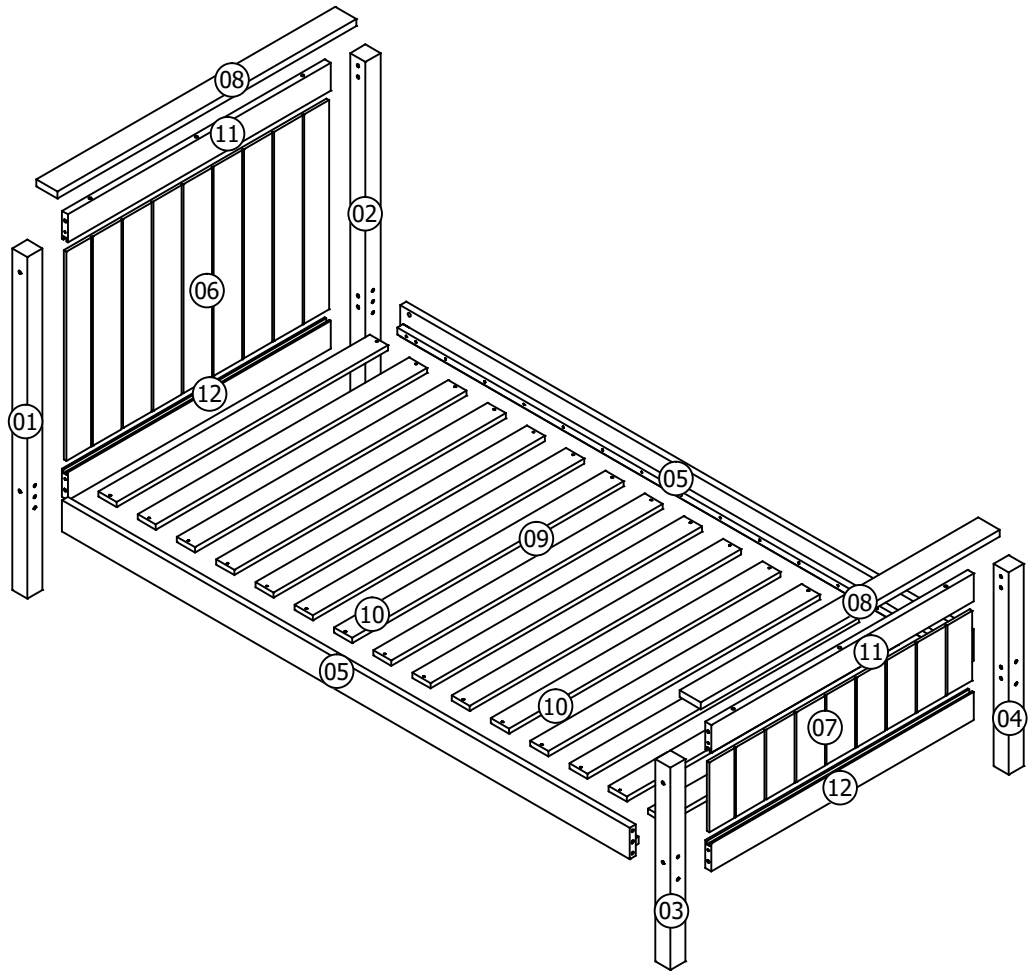




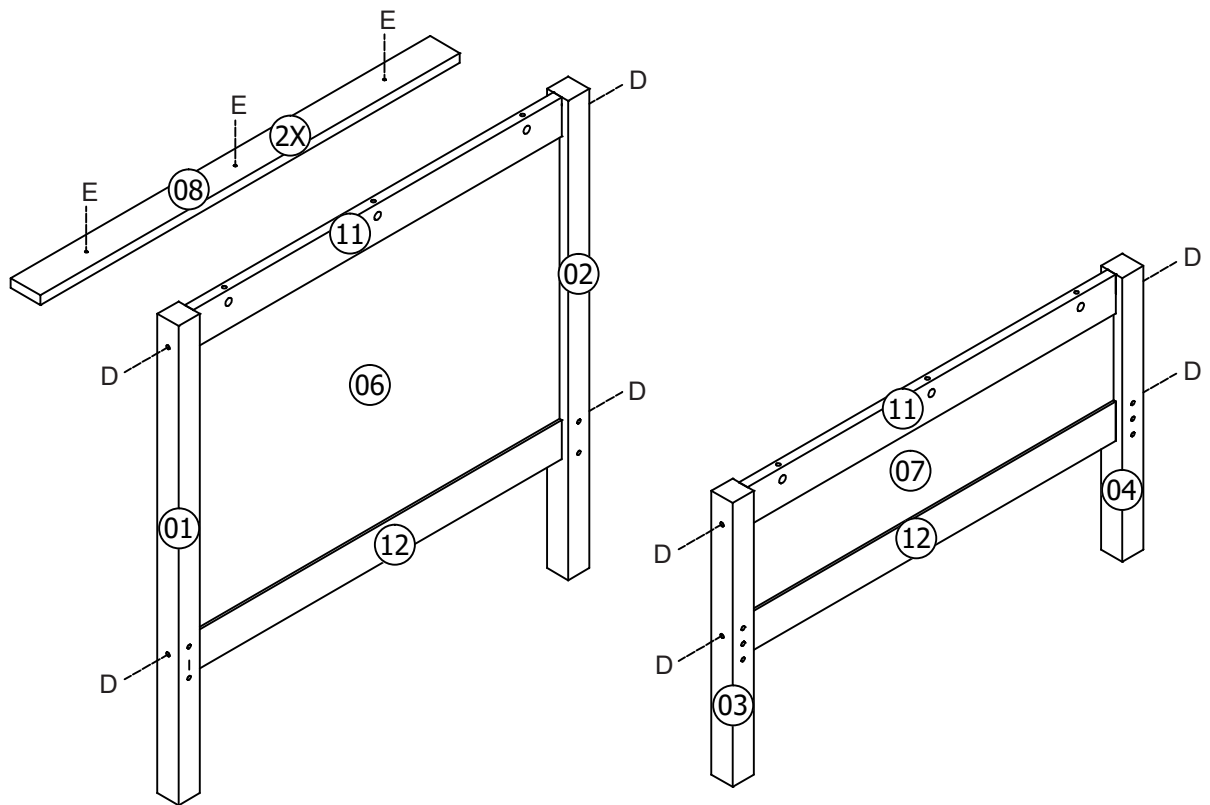
## HARDWARE

A	 15mm  M6x90mm	08	E	 Ø6.5x35mm	08
B	 Ø10x13mm	08	G	 8mm Ø4x30mm	30
C	 Ø8x30mm	12	J	 4mm	01
D	 15mm  Ø6x90mm	08	K	 Ø15x11mm	08

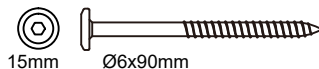




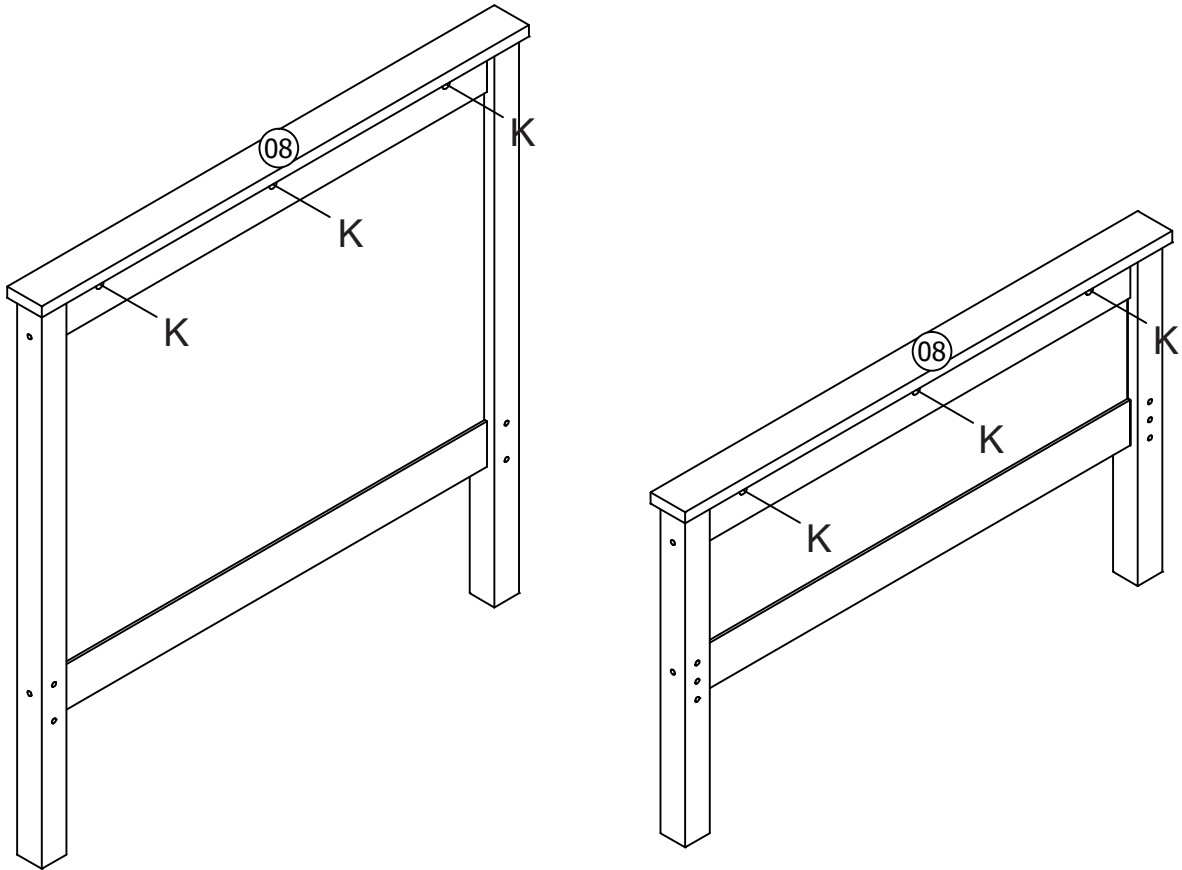
# 02




E		08
Ø6.5x35mm		

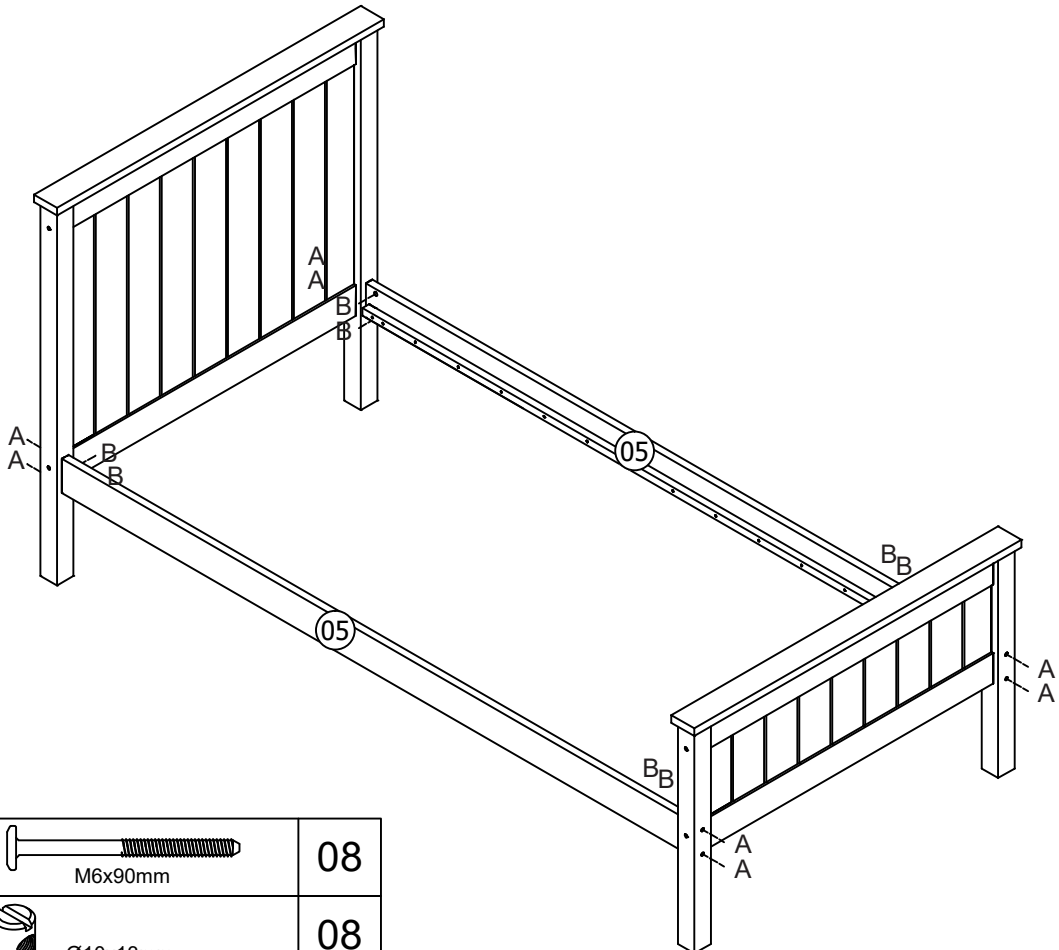
D		08
15mm Ø6x90mm		


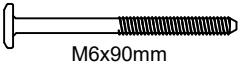

# 03



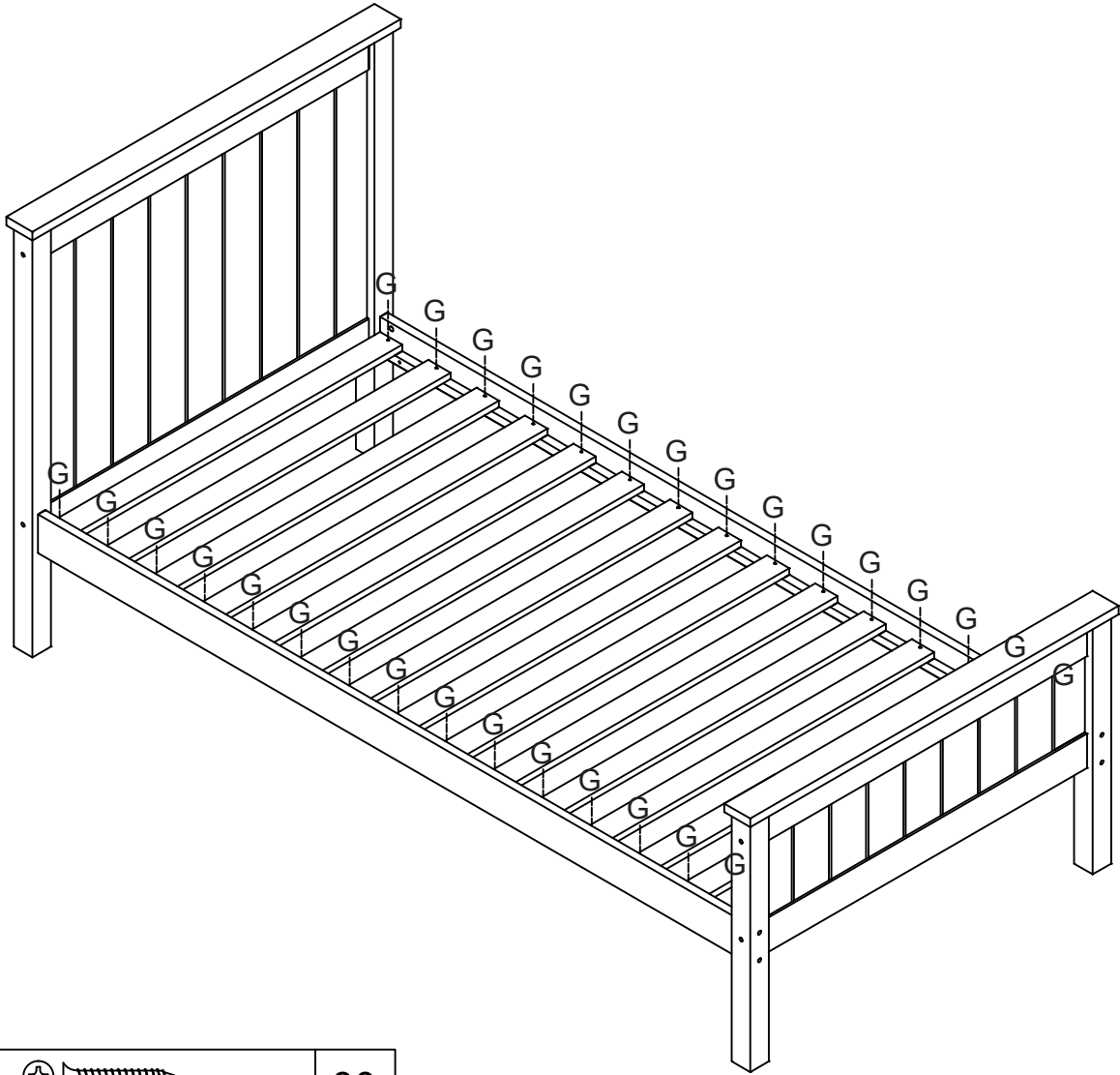
K	 Ø15x11mm	08
---	--	----

# 04

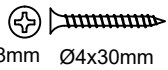


A	 15mm  M6x90mm	08
B	 Ø10x13mm	08

05



G



8mm Ø4x30mm

30