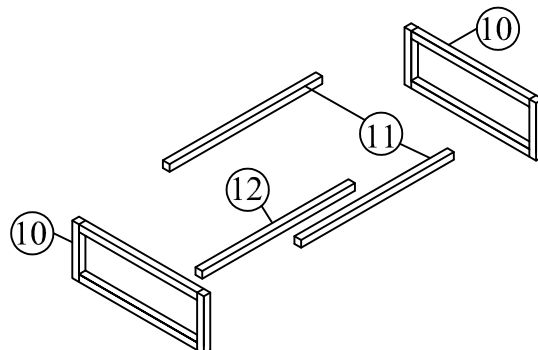
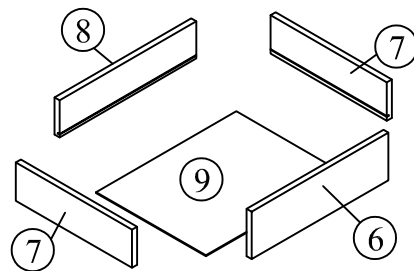
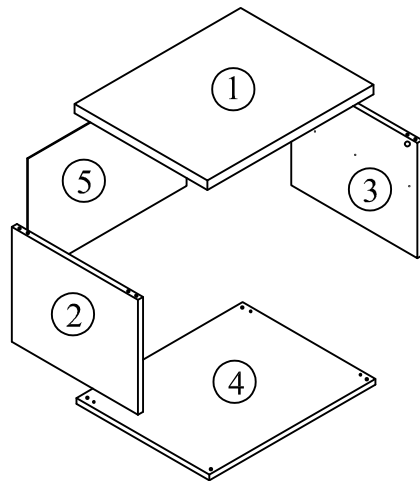




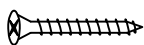
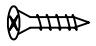
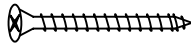

Exploded View



Part List

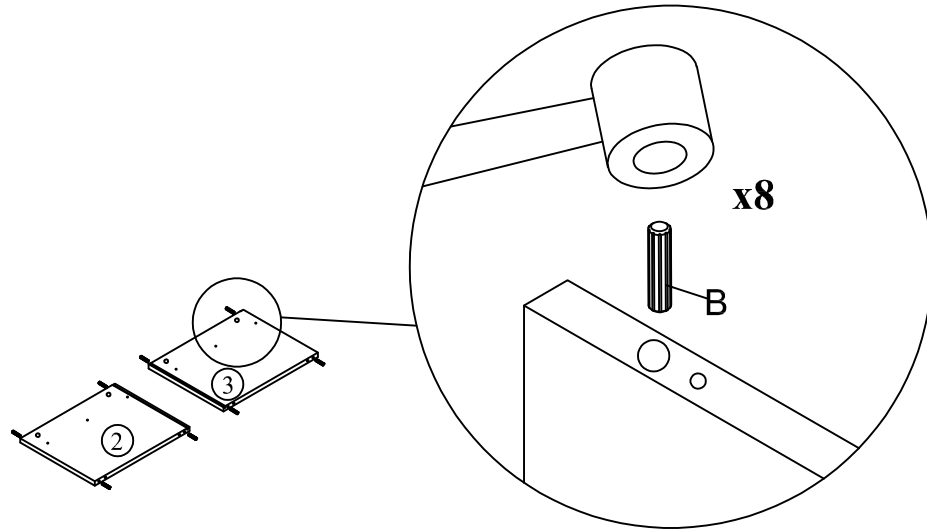
NO.	DESCRIPTION	QTY
1	Top Panel	1
2	Left Side Panel	1
3	Right Side Panel	1
4	Bottom Panel	1
5	Back Panel	1
6	Drawer Front Panel	1
7	Drawer Side Panel	2
8	Drawer Back Panel	1
9	Drawer Bottom Panel	1
10	Metal Frame Legs	2
11	Metal Support Legs	2
12	Metal Center Legs	1

Hardware List

NO.	DESCRIPTION	QTY
A	 Allen Key M4	1
B	 Wood Dowel	8
C	 Mini Fix Bolt	4
D	 Mini Fix Housing	4
E	 Mini Fix Cap	4
F	 CSK Screw M4x32mm	4
G	 CSK Screw M3.5x16mm	22
H	 CSK Screw M4x50mm	8
I	 JCBC W Screw M6x40	4
J	 JCBC Screw M6x50 Flat & Spring Washers	6
K	 L Bar Handle	1
L	 L Bracket	4
M	 14" Drawer Slide	1

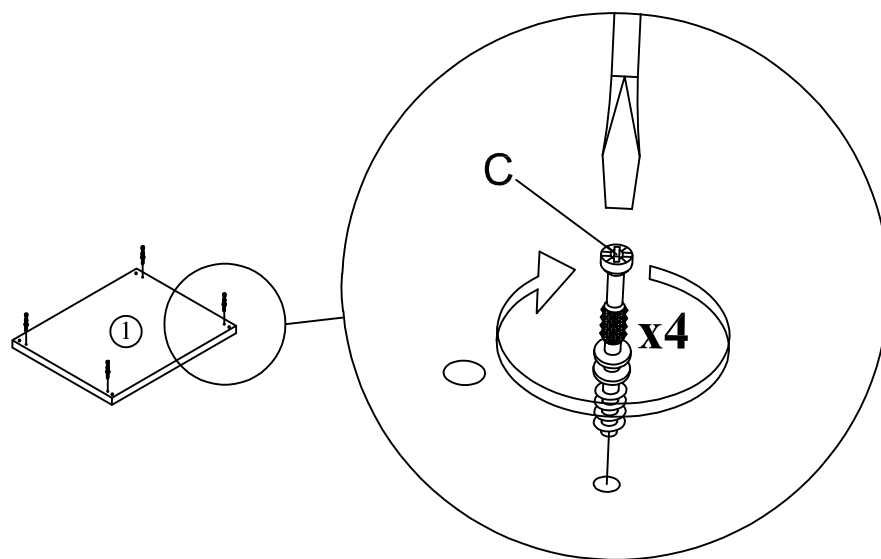
Step 1

B		Wood Dowel	8
---	---	------------	---



Step 2

C		Mini Fix Bolt	4
---	---	---------------	---



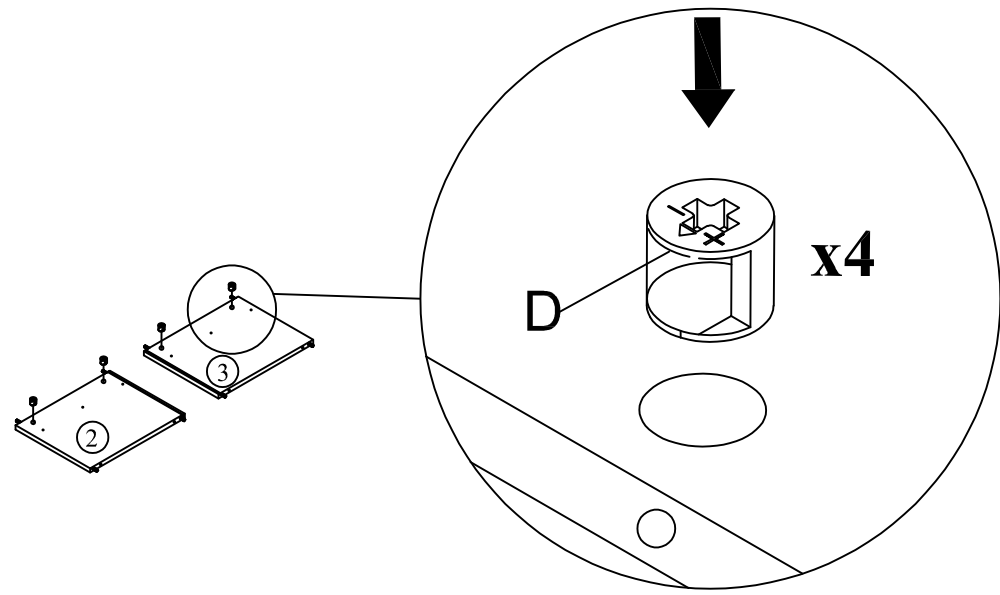
D



Mini Fix Housing

4

Step 3



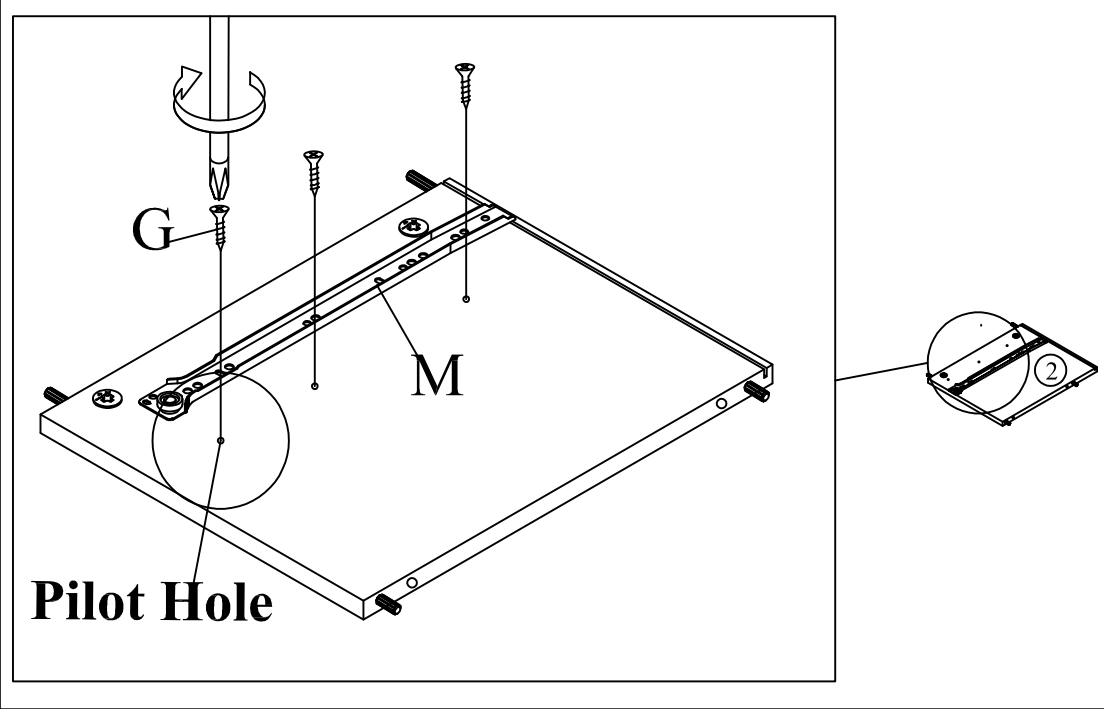
Step 4

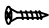
G



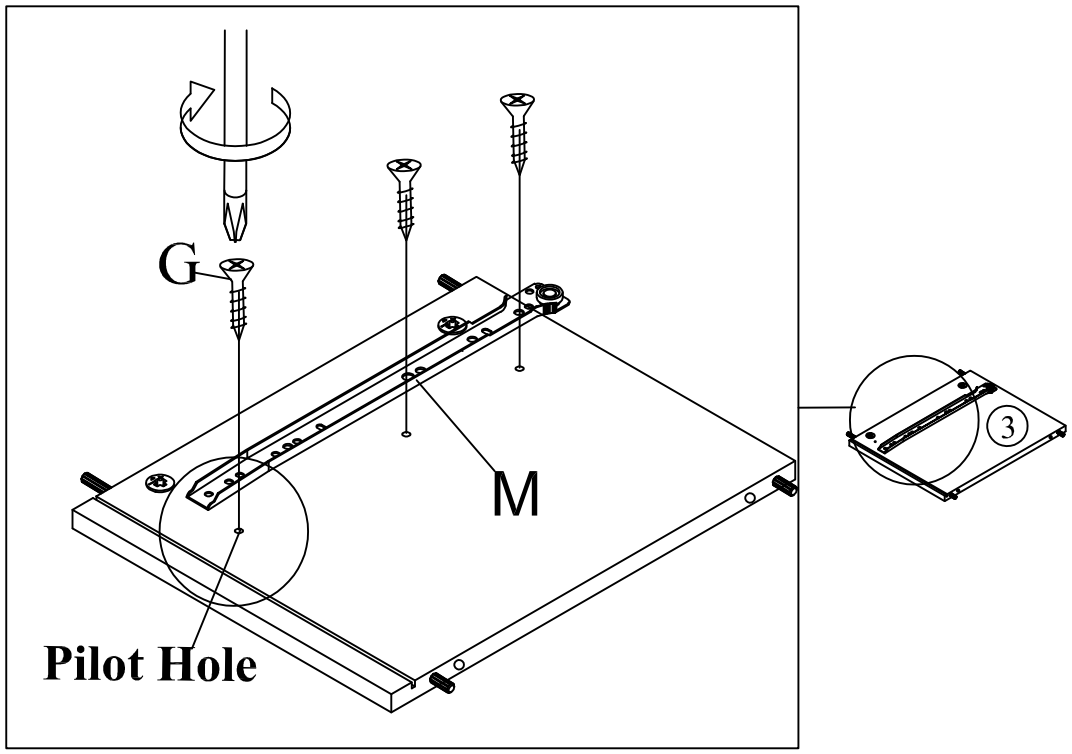
CSK Screw M3.5x16mm

3



G		CSK Screw M3.5x16mm	3
---	---	---------------------	---

Step 5

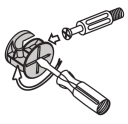


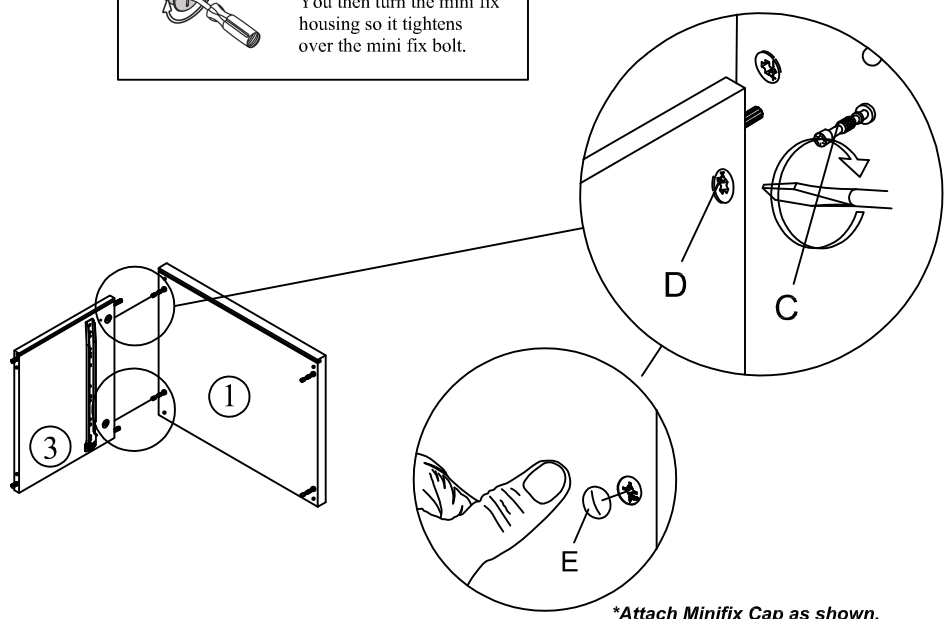
Pilot Hole

Step 6

BACK VIEW

E		Mini Fix Cap	2
---	---	--------------	---

This is how a mini fix works...

 The head of the mini fix housing goes into the open mouth of the mini fix bolt. You then turn the mini fix housing so it tightens over the mini fix bolt.



**Attach Minifix Cap as shown.*

BACK VIEW

E

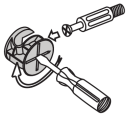


Mini Fix Cap

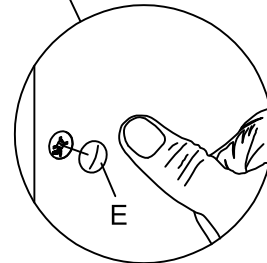
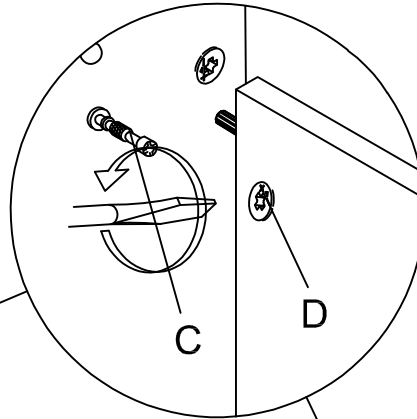
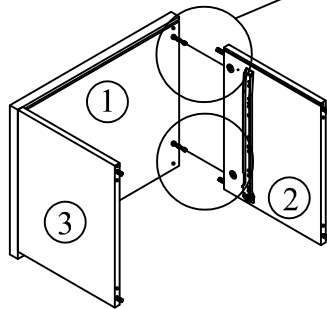
2

Step 7

This is how a mini fix works...



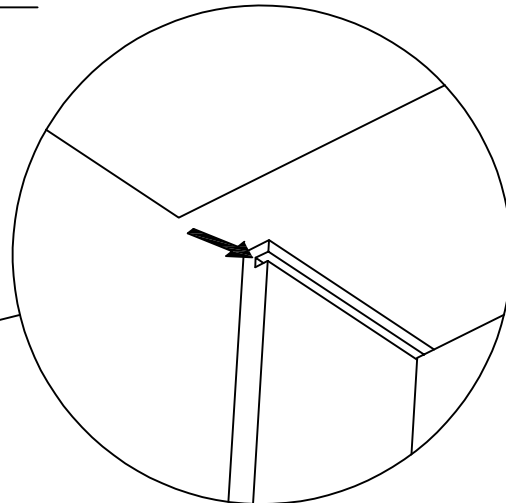
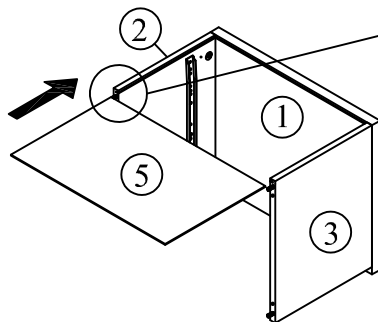
The head of the mini fix housing goes into the open mouth of the mini fix bolt. You then turn the mini fix housing so it tightens over the mini fix bolt.



**Attach Minifix Cap as shown.*

Step 8



BACK VIEW

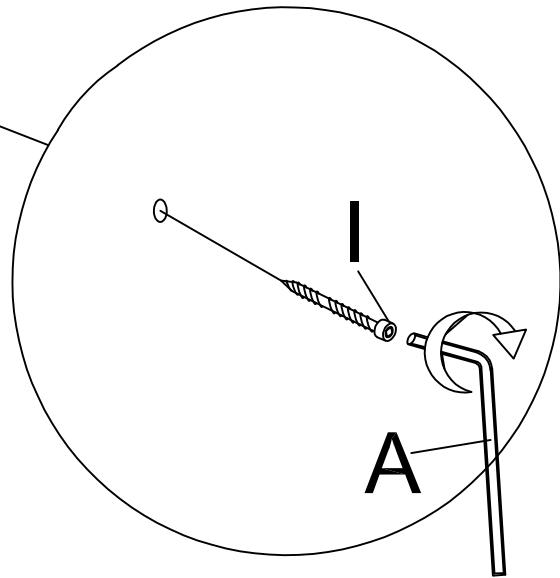
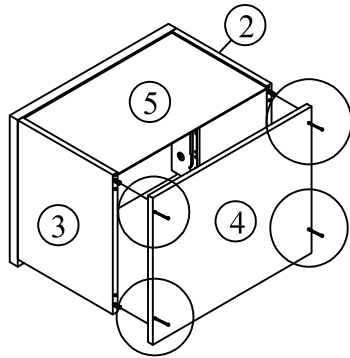


This is how to insert back panel


Step 9

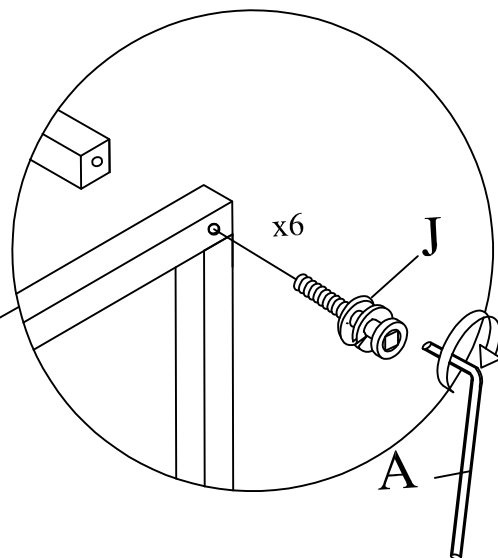
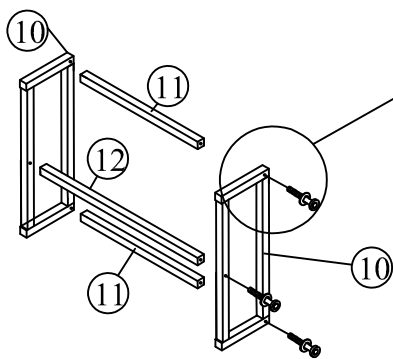
BACK VIEW

A	 Allen Key M4	1
I	 JCBC W Screw M6x40	4



Step 10

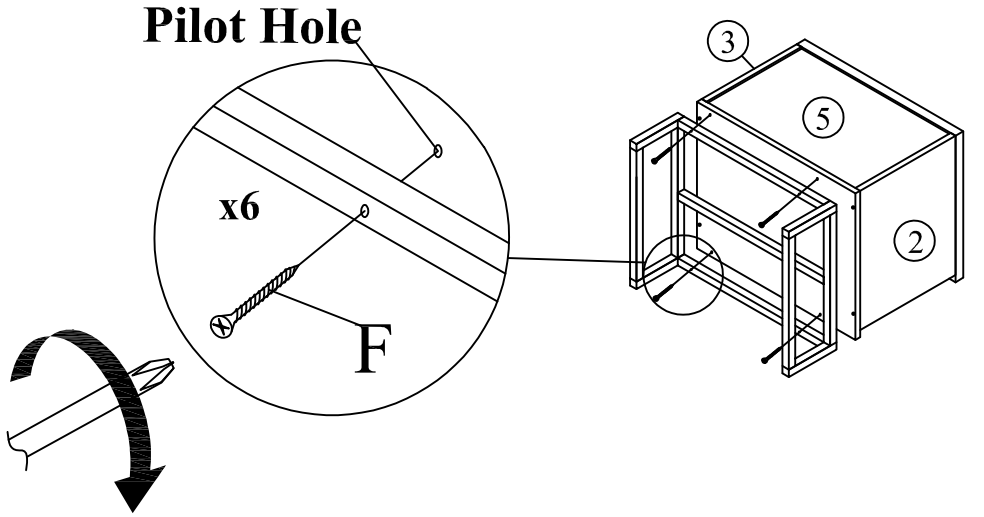
J	 JCBC Screw M6x50 Flat & Spring Washers	6
---	--	---



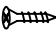

Step 11

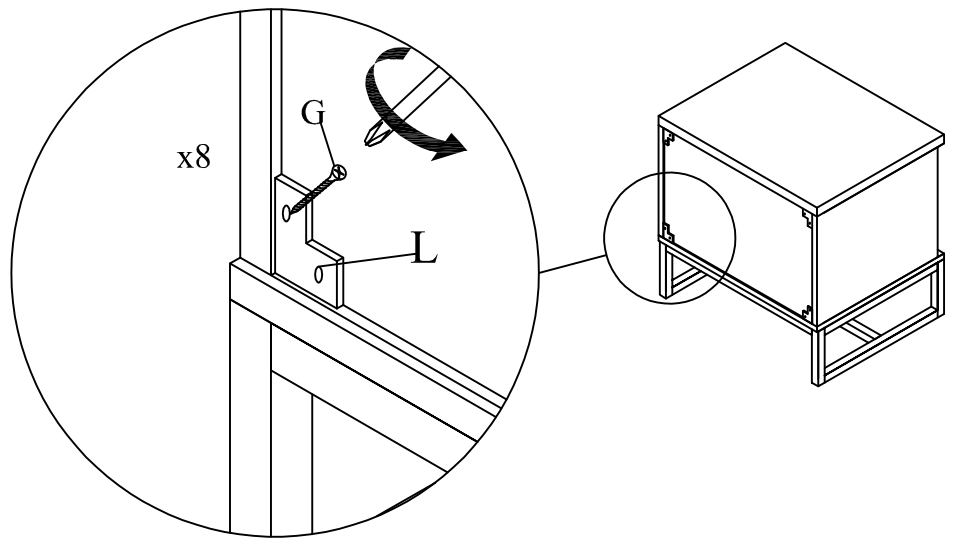
BACK VIEW

F		CSK Screw M4x32mm	4
---	---	-------------------	---



Step 12

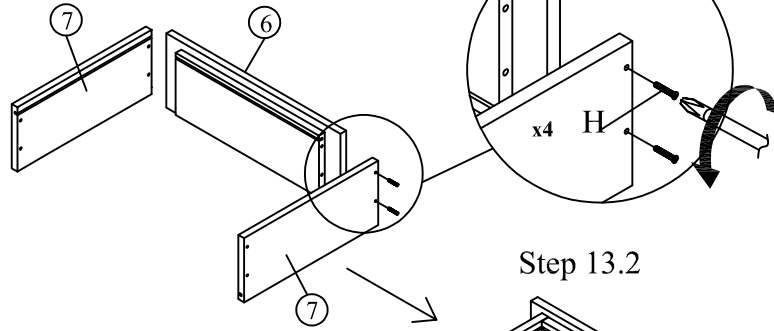
G		CSK Screw M3.5x16mm	8
L		L Bracket	4



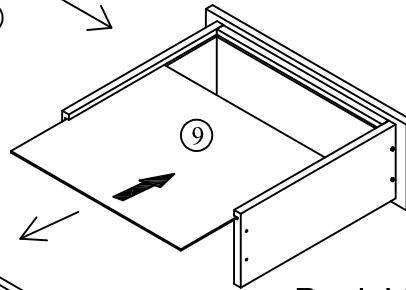
Step 13

H		CSK Screw M4x50mm	8
G		CSK Screw M3.5x16mm	8
M		14" Drawer Slide	1 set
K		L Bar Handle	1

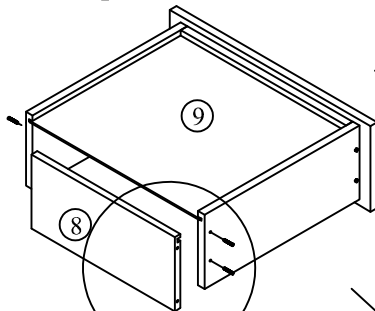
Step 13.1



Step 13.2

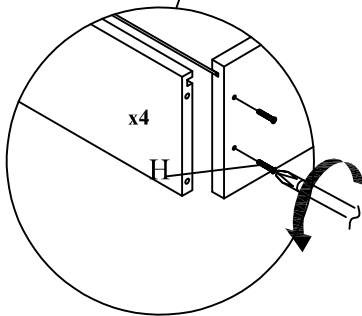


Step 13.3

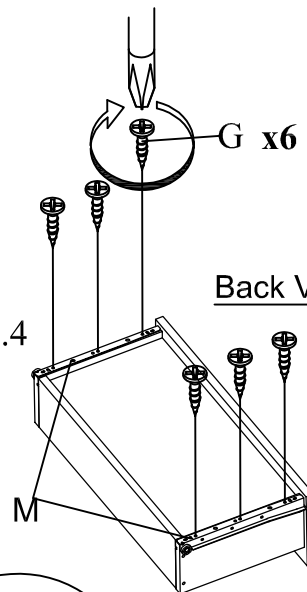


Back View

Back View

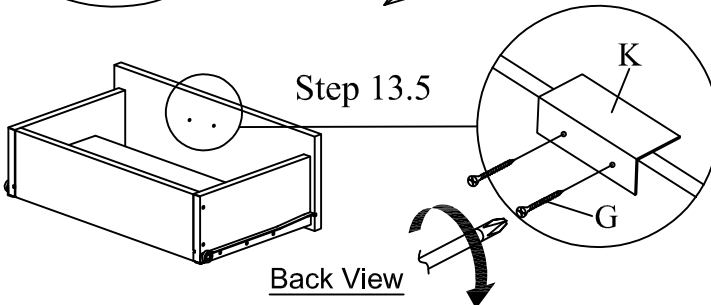


Step 13.4



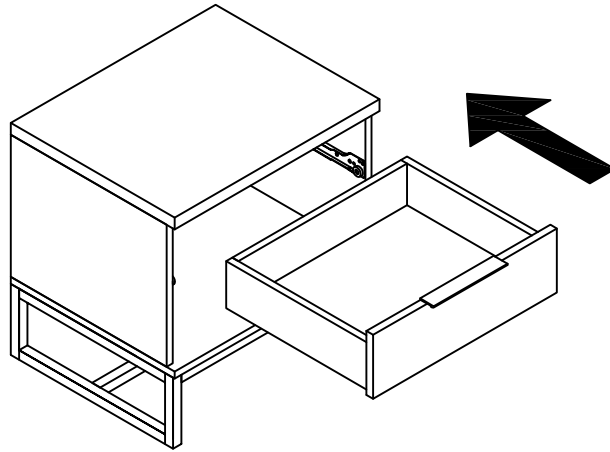
Back View

Step 13.5



Back View

Step 14



Step 15

